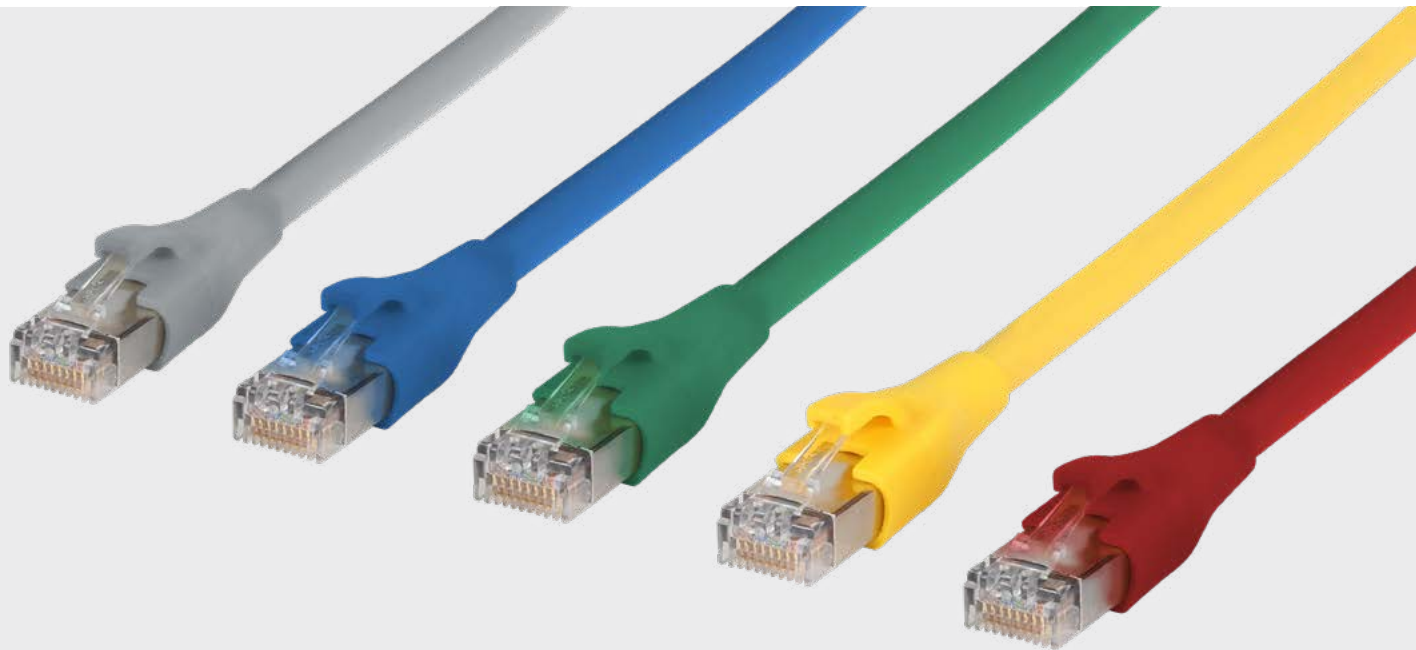


Product Information – RJ45 Patch cord Cat.6_A AWG 27 cULus



- > especially suitable for shielded and unshielded class E_A systems
- > cULus listed / DUXR.E178484
- > fully shielded Cat.6_A patch cord AWG 27/7
- > two shielded RJ45 connectors; 1:1 assignment
- > cable type: S/FTP 4x2xAWG 27/7 PIMF
- > cable type: S/FTP 4x2xAWG 27/7 PIMF
- > component testing for Cat.6_A acc. to ISO/IEC 11801-1 and IEC 61935-2
- > class E_A Link up to 500 MHz to ISO/IEC 11801-1, DIN EN 50173-1
- > suitable for 10 GBit Ethernet (IEEE 802.3an) and Remote Powering (PoE, PoE plus, UPoE) and HDBaseT
- > snagless boot with integrated lever protection
- > colors may differ slightly due to different protection lots
- > especially suitable for IoT and IIoT

TECHNICAL DATA

GENERAL DATA

Fields of application	Structured building cabling, Office, Data center
Design	Patch cord
Shielding	shielded
Transmission technology	Copper
Cable type	S/FTP
Number of twisting elements	4
Twisting element	Pair
Wiring	1 - 1
Color coding fiber/ wire(s)	white/orange, white/green, white/brown, white/blue
Color	All information from page 6
Dimensions	
Dimension - Interface 1 (L x W x H)	47.5 x 13.8 x 15.5 mm
Dimension - Interface 1 1 (L x W x H)	1.87 x 0.543 x 0.61 in.
Dimension - Interface 2 (L x W x H)	47.5 x 13.8 x 15.5 mm
Dimension - Interface 2 (L x W x H)	1.87 x 0.543 x 0.61 in.
Cable length (m)	All information from page 6
Cable length (ft)	All information from page 6
Marking option	by cable boot

TRANSMISSION CHARACTERISTICS

Category (ISO)	6A
Class (ISO/IEC)	E _A
Category (TIA)	6A
Remote Powering	yes
PoE	IEEE 802.3af
PoE plus	IEEE 802.3at
UPoE	yes
HDBaseT	yes
Transmission rate up to 100 MBit (Fast Ethernet)	IEEE 802.3u
Transmission rate up to 1 GBit (Gigabit-Ethernet)	IEEE 802.3ab
Transmission rate up to 10 GBit	IEEE 802.3an

TECHNICAL DATA

CONNECTIONS/INTERFACES

Connector technology interface 1	RJ45 plug
Connector technology interface 2	RJ45 plug
Number of ports interface 1	1
Number of ports interface 2	1
Number of equipped ports interface 1	1
Number of ports interface 2 equipped	1
Number of positions/contacts interface 1	8P/8C
Number of ports interface 2 equipped	8P/8C
Termination data, stranded wire	(min. - max.)
Conductor cross section, stranded wire	AWG 27/7
Conductor cross section, stranded wire	0.111 mm ²
Conductor diameter, stranded wire (bare copper)	0.457 mm
Conductor diameter, stranded wire (bare copper)	0.018 in.
Cable sheath diameter	(min. - max.)
Cable sheath diameter	6 mm
Cable sheath diameter	0.236 in.
Copper index	18 kg/km

ELECTRICAL CHARACTERISTICS

Current carrying capacity	max. 1 A
Rated voltage	max. 50 V
Contact resistance	max. 20 mOhm
Through resistance	max. 200 mOhm
Insulation resistance	min. 100 MOhm
Transfer impedance 10 MHz	5 mOhm/m
Characteristic impedance 1-100 MHz	100 Ohm
Characteristic impedance	80 dB
Nominal velocity of propagation	78 %
Signal propagation delay	400 ns/100 m
Delay skew	2.5 ns/100 m
Dielectric strength conductor-conductor (primarily)	max. 500 V DC
Dielectric strength conductor-conductor (secondary)	max. 500 V DC
Segregation classification	D

TECHNICAL DATA

MECHANICAL CHARACTERISTICS

Tensile force	40 N
Fire load	350 MJ/km
Position/mounting of latch - standard installation position	top
Maximum operating bending radius	30 mm
Maximum operating bending radius	1.181 in.
Maximum installation load	48 mm
Maximum installation load	1.89 in.

MATERIALS AND MATERIAL PROPERTIES

Material - Conductor	Cu (copper)
Material - Conductor Insulation	Polyethylen
Material - Cable jacket	LSHF (LSOH)
Material - Plug housing interface 1	PC (polycarbonate)
Material - Plug housing interface 2	PC (polycarbonate)
Material - Body interface 1	Plastics
Material - Body interface 2	Plastics
Material - Contact interface 1	CuSn (tin bronze)
Material - Contact interface 2	CuSn (tin bronze)
Material - Contact finish interface 1	Au (gold)
Material - Contact finish interface 2	Au (gold)
Material - Contact carriers interface 1	Plastics
Material - Contact carriers interface 2	Plastics
Material - Shield interface 1	CuSn (brass)
Material - Shield interface 2	CuSn (brass)
Material - Shield finish interface 1	Ni (nickel)
Material - Shield finish interface 2	Ni (nickel)
Material - Pair shield	Plastic film
Material - Pair shield finish	Al (Aluminium)
Material - Main shield	Cu (copper) braid
Material - Main shield finish	Sn (tin)
Flame retardancy	after IEC 60332-3-24 and UL 2556 (FT1)
Halogen free	yes
RoHS	compliant


TECHNICAL DATA

ENVIRONMENTAL CONDITIONS

Temperature (min. - max.)

Temperature - Storage °C	-20 - 60 °C
Temperature - Storage °F	-4 - 140 °F
Temperature - Operating °C	-20 - 60 °C
Temperature - Operating °F	-4 - 140 °F
Temperature - Installation °C	0 - 50 °C
Temperature - Installation °F	32 - 122 °F

APPROVALS

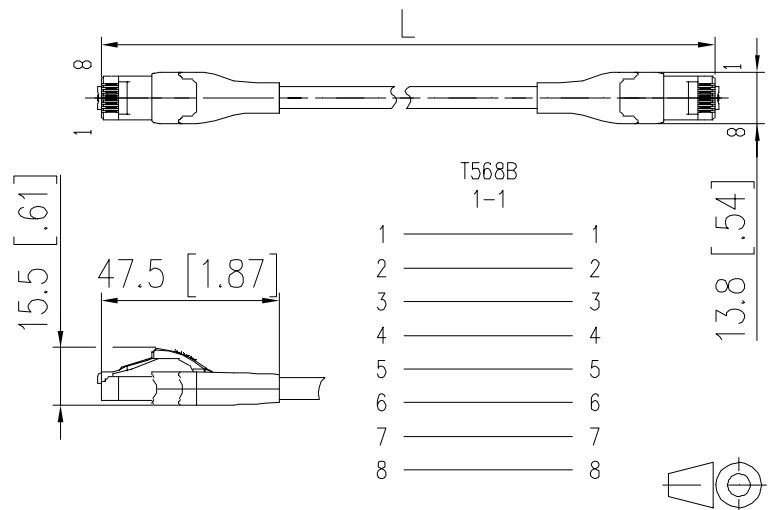
CE	yes
UL listed (file no.)	 DUXR.E178484
UL 444	compliant

THE PRODUCT MEETS THE FOLLOWING STANDARDS

Generic cabling systems	
General requirements	ISO/IEC 11801-1 DIN EN 50173-1 ANSI/TIA-568-D
Office buildings	ISO/IEC 11801-2 DIN EN 50173-2 ANSI/TIA-568-D
Data centers	ISO/IEC 11801-5 DIN EN 50173-5 ANSI/TIA-942
Connectors for electronic equipment	
Free and fixed connectors	IEC 60603-7-51
Specification for the testing of balanced and coaxial information technology cabling	
Cords as specified in ISO/IEC 11801 and related standards	IEC 61935-2

ILLUSTRATIONS

Dimensional drawing





P/N	LENGTH/M	CORD COLOR/SLEEVE COLOR	EAN
13084C0533-E	0,5	gray/gray	4250184146773
13084C1033-E	1	gray/gray	4250184146841
13084C1533-E	1,5	gray/gray	4251122187322
13084C2033-E	2	gray/gray	4250184146858
13084C2533-E	2,5	gray/gray	4251122187339
13084C3033-E	3	gray/gray	4250184153498
13084C4033-E	4	gray/gray	4251122187353
13084C5033-E	5	gray/gray	4250184146865
13084C7033-E	7	gray/gray	4250184170709
13084CA033-E	10	gray/gray	4250184146872
13084CA533-E	15	gray/gray	4250184170716
13084CB033-E	20	gray/gray	4250184146889



P/N	LENGTH/M	CORD COLOR/SLEEVE COLOR	EAN
13084C2044-E	2	blue/blue	4251122198533



P/N	LENGTH/M	CORD COLOR/SLEEVE COLOR	EAN
13084C2055-E	2	green/green	4251122198519
13084C5055-E	5	green/green	4251122198557

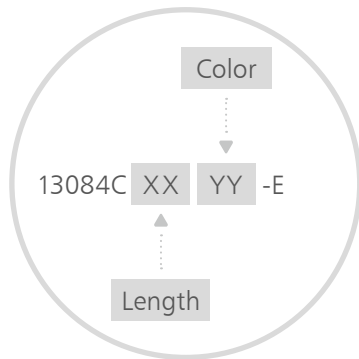


P/N	LENGTH/M	CORD COLOR/SLEEVE COLOR	EAN
13084C2066-E	2	red/red	4251122198526
13084C3066-E	3	red/red	4251122198540



P/N	LENGTH/M	CORD COLOR/SLEEVE COLOR	EAN
13084C0577-E	0,5	yellow/yellow	4250184153399
13084C1077-E	1	yellow/yellow	4250184153405
13084C2077-E	2	yellow/yellow	4250184153412
13084C3077-E	3	yellow/yellow	4250184153504
13084C5077-E	5	yellow/yellow	4250184153429
13084C7077-E	7	yellow/yellow	4250184180883
13084CA077-E	10	yellow/yellow	4250184153436
13084CB077-E	20	yellow/yellow	4250184153443

NUMBER KEY FOR FURTHER LENGTHS AND COLORS



XX = Length

YY = Color

03 = 0.3 m

00 = black

05 = 0.5 m

33 = gray

10 = 1.0 m

44 = blue

20 = 2.0 m

55 = green

30 = 3.0 m

66 = red

50 = 5.0 m

77 = yellow

70 = 7.0 m

95 = 9.5 m

A0 = 10.0 m

A5 = 15.0 m

A9 = 19.0 m

B0 = 20.0 m

B5 = 25.0 m

C9 = 39.0 m