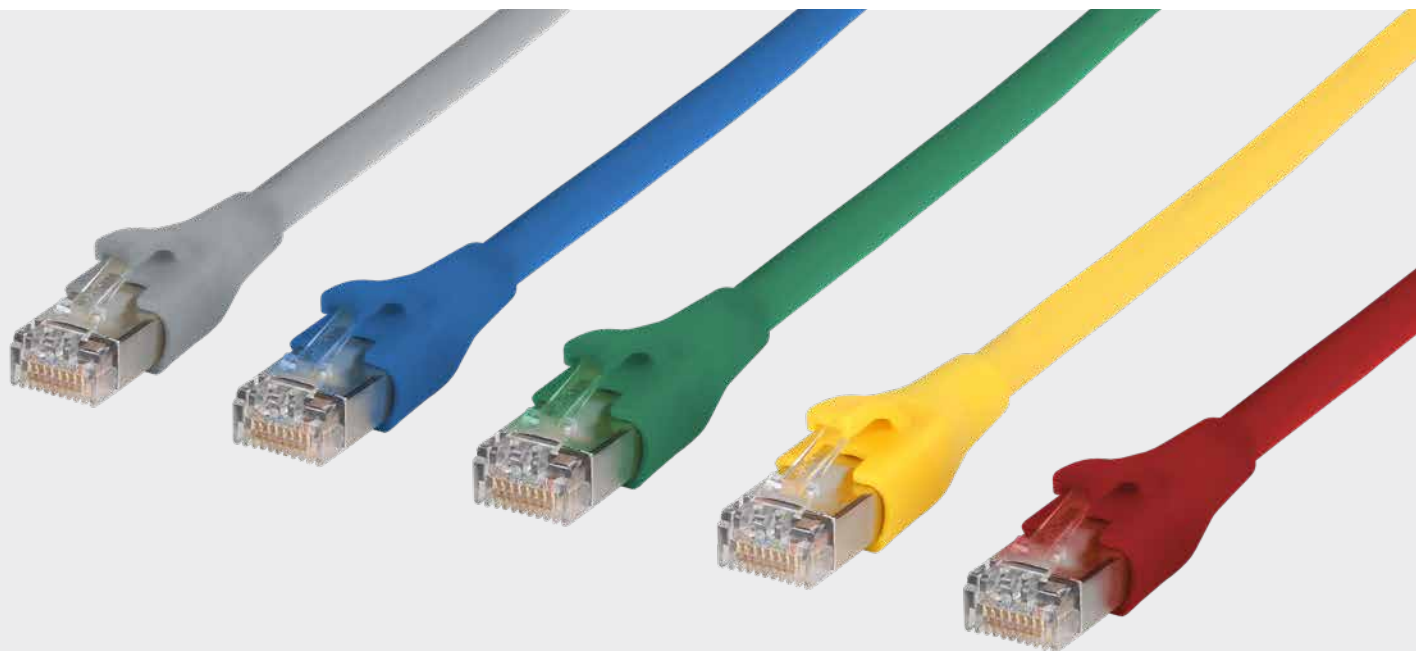


## Product Information – RJ45 Patch cord Cat.6<sub>A</sub> AWG 27 cULus



- > especially suitable for shielded and unshielded class E<sub>A</sub> systems
- > cULus listed / DUXR.E178484
- > fully shielded Cat.6<sub>A</sub> patch cord AWG 27/7
- > two shielded RJ45 connectors; 1:1 assignment
- > cable type: S/FTP 4x2xAWG 27/7 PIMF
- > cable sheath: LSHF (LSOH), halogen free
- > component testing for Cat.6<sub>A</sub> acc. to ISO/IEC 11801-1 and IEC 61935-2
- > class E<sub>A</sub> Link up to 500 MHz to ISO/IEC 11801-1, DIN EN 50173-1
- > suitable for 10 GBit Ethernet (IEEE 802.3an) and Remote Powering (PoE, PoE plus, UPoE) and HDBaseT
- > snagless boot with integrated lever protection
- > colors may differ slightly due to different protection lots
- > especially suitable for IoT and IIoT

## Technical Data

### GENERAL DATA

Fields of application	Structured building cabling, Office, Data center
Design	Patch cord
Shielding	shielded
Transmission technology	Copper
Cable type	S/FTP
Number of twisting elements	4
Twisting element	Pair
Wiring	1 - 1
Color coding fiber/ wire(s)	white/orange, white/green, white/brown, white/blue
Color	All information from page 6

### DIMENSIONS

Dimension - Interface 1 (L x W x H)	47.5 x 13.8 x 15.5 mm
Dimension - Interface 1 1 (L x W x H)	1.87 x 0.543 x 0.61 in.
Dimension - Interface 2 (L x W x H)	47.5 x 13.8 x 15.5 mm
Dimension - Interface 2 (L x W x H)	1.87 x 0.543 x 0.61 in.
Cable length (m)	All information from page 6
Cable length (ft)	All information from page 6
Marking option	by cable boot

### TRANSMISSION CHARACTERISTICS

Category (ISO)	6 <sub>A</sub>
Class (ISO/IEC)	E <sub>A</sub>
Category (TIA)	6 <sub>A</sub>
Remote Powering	yes
PoE	IEEE 802.3af
PoE plus	IEEE 802.3at
UPoE	yes
HDBaseT	yes
Transmission rate up to 100 MBit (Fast Ethernet)	IEEE 802.3u
Transmission rate up to 1 GBit (Gigabit-Ethernet)	IEEE 802.3ab
Transmission rate up to 10 GBit	IEEE 802.3an

## Technical Data

### CONNECTIONS/INTERFACES

Connector technology interface 1	RJ45 plug
Connector technology interface 2	RJ45 plug
Number of ports interface 1	1
Number of ports interface 2	1
Number of equipped ports interface 1	1
Number of ports interface 2 equipped	1
Number of positions/contacts interface 1	8P/8C
Number of ports interface 2 equipped	8P/8C

### TERMINATION DATA, STRANDED WIRE

	(min. - max.)
Conductor cross section, stranded wire	AWG 27/7
Conductor cross section, stranded wire	0.111 mm <sup>2</sup>
Conductor diameter, stranded wire (bare copper)	0.457 mm
Conductor diameter, stranded wire (bare copper)	0.018 in.

### CABLE SHEATH DIAMETER

	(min. - max.)
Cable sheath diameter	6 mm
Cable sheath diameter	0.236 in.
Copper index	18 kg/km

### ELECTRICAL CHARACTERISTICS

Current carrying capacity	max. 1 A
Rated voltage	max. 50 V
Contact resistance	max. 20 mOhm
Through resistance	max. 200 mOhm
Insulation resistance	min. 100 MOhm
Transfer impedance 10 MHz	5 mOhm/m
Characteristic impedance 1-100 MHz	100 Ohm
Characteristic impedance	80 dB
Nominal velocity of propagation	78 %
Signal propagation delay	400 ns/100 m
Delay skew	2.5 ns/100 m
Dielectric strength conductor-conductor (primarily)	max. 500 V DC
Dielectric strength conductor-conductor (secondary)	max. 500 V DC
Segregation classification	D

## Technical Data

### MECHANICAL CHARACTERISTICS

Tensile force	40 N
Fire load	350 MJ/km
Position/mounting of latch - standard installation position	top
Maximum operating bending radius	30 mm
Maximum operating bending radius	1.181 in.
Maximum installation load	48 mm
Maximum installation load	1.89 in.


### MATERIALS AND MATERIAL PROPERTIES

Material - Conductor	Cu (copper)
Material - Conductor Insulation	Polyethylen
Material - Cable jacket	LSHF (LSOH)
Material - Plug housing interface 1	PC (polycarbonate)
Material - Plug housing interface 2	PC (polycarbonate)
Material - Body interface 1	Plastics
Material - Body interface 2	Plastics
Material - Contact interface 1	CuSn (tin bronze)
Material - Contact interface 2	CuSn (tin bronze)
Material - Contact finish interface 1	Au (gold)
Material - Contact finish interface 2	Au (gold)
Material - Contact carriers interface 1	Plastics
Material - Contact carriers interface 2	Plastics
Material - Shield interface 1	CuSn (brass)
Material - Shield interface 2	CuSn (brass)
Material - Shield finish interface 1	Ni (nickel)
Material - Shield finish interface 2	Ni (nickel)
Material - Pair shield	Plastic film
Material - Pair shield finish	Al (Aluminium)
Material - Main shield	Cu (copper) braid
Material - Main shield finish	Sn (tin)
Flame retardancy	after IEC 60332-3-24 and UL 2556 (FT1)
Halogen free	yes
RoHS	compliant

## Technical Data

ENVIRONMENTAL CONDITIONS	TEMPERATURE (min. - max.)
Temperature - Storage °C	-20 - 60 °C
Temperature - Storage °F	-4 - 140 °F
Temperature - Operating °C	-20 - 60 °C
Temperature - Operating °F	-4 - 140 °F
Temperature - Installation °C	0 - 50 °C
Temperature - Installation °F	32 - 122 °F

### APPROVALS

CE	yes
UL listed (file no.)	 DUXR.E178484
UL 444	compliant

### THE PRODUCT MEETS THE FOLLOWING STANDARDS

Generic cabling systems	
General requirements	ISO/IEC 11801-1   DIN EN 50173-1   ANSI/TIA-568-D
Office buildings	ISO/IEC 11801-2   DIN EN 50173-2   ANSI/TIA-568-D
Data centers	ISO/IEC 11801-5   DIN EN 50173-5   ANSI/TIA-942

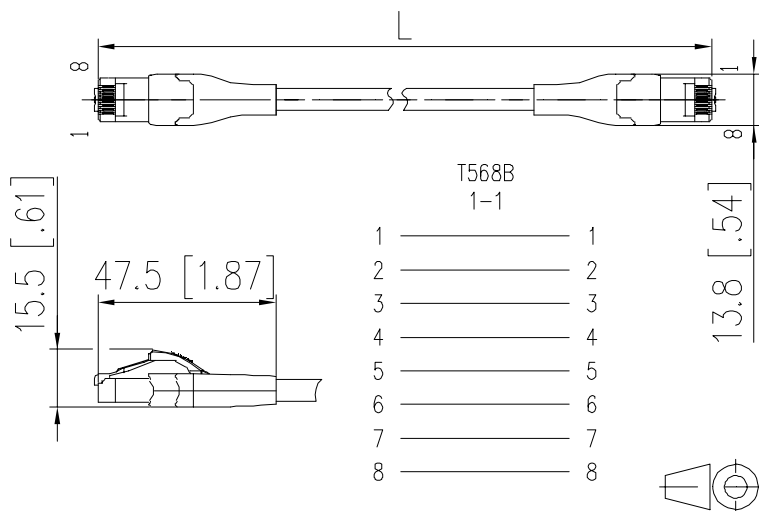
### CONNECTORS FOR ELECTRONIC EQUIPMENT

Free and fixed connectors	IEC 60603-7-51
---------------------------	----------------

### SPECIFICATION FOR THE TESTING OF BALANCED AND COAXIAL INFORMATION TECHNOLOGY CABLING

Cords as specified in ISO/IEC 11801 and related standards	IEC 61935-2
---	-------------

## Dimensional drawing

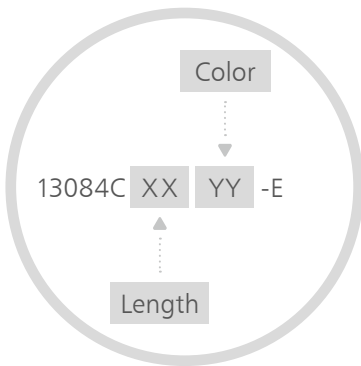


## Order information

	CORD COLOR/SLEEVE COLOR	LENGTH/M	P/N	EAN
	gray/gray	0.5	13084C0533-E	4250184146773
		1	13084C1033-E	4250184146841
		1.5	13084C1533-E	4251122187322
		2	13084C2033-E	4250184146858
		2.5	13084C2533-E	4251122187339
		3	13084C3033-E	4250184153498
		4	13084C4033-E	4251122187353
		5	13084C5033-E	4250184146865
		7	13084C7033-E	4250184170709
		10	13084CA033-E	4250184146872
		15	13084CA533-E	4250184170716
		20	13084CB033-E	4250184146889
	blue/blue	2	13084C2044-E	4251122198533
	green/green	2	13084C2055-E	4251122198519
		5	13084C5055-E	4251122198557
	red/red	2	13084C2066-E	4251122198526
		3	13084C3066-E	4251122198540
	yellow/yellow	0.5	13084C0577-E	4250184153399
		1	13084C1077-E	4250184153405
		2	13084C2077-E	4250184153412
		3	13084C3077-E	4250184153504
		5	13084C5077-E	4250184153429
		7	13084C7077-E	4250184180883
		10	13084CA077-E	4250184153436
20	13084CB077-E	4250184153443		

## Order information

Number KEY for further lengths and colors



### XX = Length

03 = 0.3 m

05 = 0.5 m

10 = 1.0 m

20 = 2.0 m

30 = 3.0 m

50 = 5.0 m

70 = 7.0 m

95 = 9.5 m

A0 = 10.0 m

A5 = 15.0 m

A9 = 19.0 m

B0 = 20.0 m

B5 = 25.0 m

C9 = 39.0 m

### YY = Color

00 = black

33 = gray

44 = blue

55 = green

66 = red

77 = yellow



We realize ideas

**METZ CONNECT GmbH**

Im Tal 2  
78176 Blumberg  
Germany

Phone +49 7702 533-0  
Fax +49 7702 533-189

info@metz-connect.com  
www.metz-connect.com

**METZ CONNECT USA Inc.**

200 Tornillo Way  
Tinton Falls, NJ 07712  
USA

Phone +1-732-389-1300  
Fax +1-732-389-9066

**METZ CONNECT France SAS**

28, Rue Schweighaeuser  
67000 Strasbourg  
France

Phone +33 3886 17073  
Fax +33 3886 19473

**METZ CONNECT AUSTRIA GmbH**  
c/o German chamber of commerce  
in Austria

Schwarzenbergplatz 5, Top 3/1  
1030 Vienna  
Austria

Phone +43 1 227 12 64  
Fax +43 1 227 12 66

**METZ CONNECT Zhongshan Ltd.**

Ping Chang Road  
Ping Pu Industrial Park  
Sanxiang Town  
Zhongshan City, 528463  
Guangdong Province  
China

Phone +86 760 86365 055  
Fax +86 760 86365 050

**METZ CONNECT Asia Pacific Ltd.**

Suite 1803, 18/F  
Chinachem Hollywood Centre,  
1 Hollywood Road, Central  
Hong Kong

Phone +852 26 027 300  
Fax +852 27 257 522

