

Product information – OpDAT VIK with outdoor cables (pre-assembled installation cables)



Pre-assembled installation cables (VIK) are fiber optic cables with connectors on one or both sides, VIKs are manufactured by METZ CONNECT in Blumberg to the highest quality standards in manual individual production processes. In combination with outdoor cables, they are suitable for mechanically demanding outdoor use. They enable a point-to-point connection of passive and active network components that is quick and easy to install. This considerably reduces the installation time and costs compared with an installation that uses splicing and pigtailed or cabling with individual patchcords.

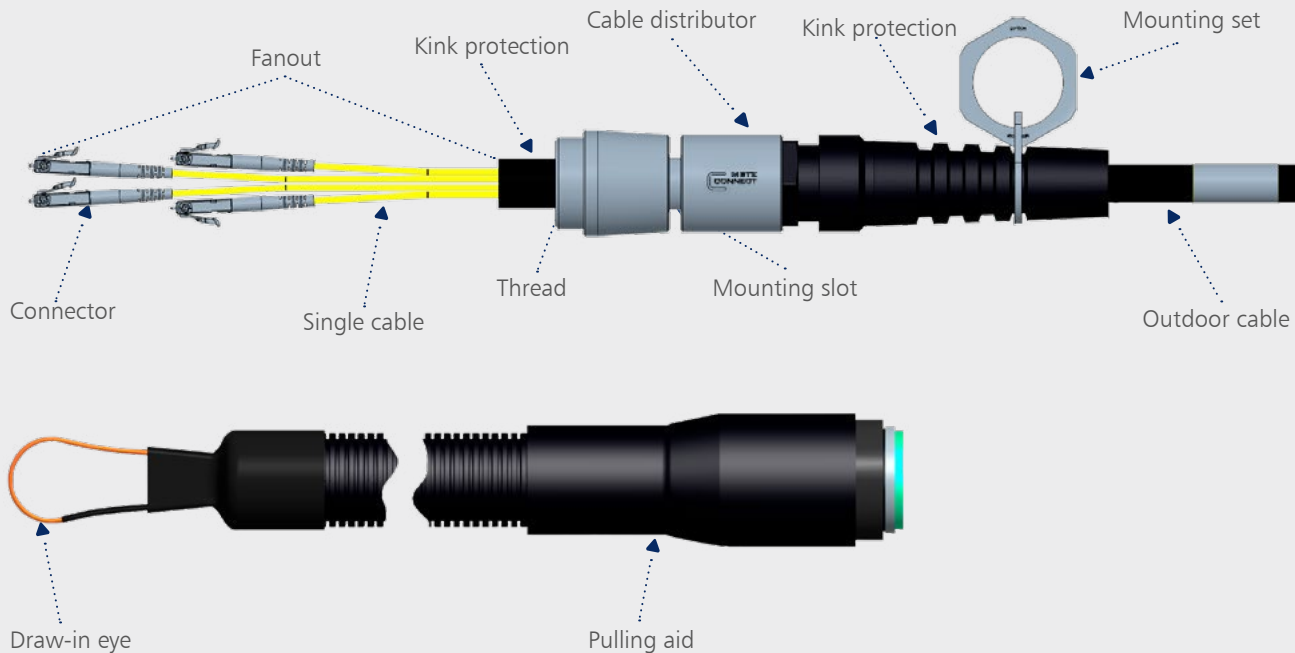
Features

- > robust cable distributor made of aluminium with screwable or snap-in fastening
- > outdoor cable for outdoor use with rodent protection
- > all fiber types are insensitive to bending, number of fibers from 2 to 48
- > assembled with connector types LC, SC, ST, E2000 and FC
- > also available with connectors of quality class **GRADE B**. Particularly low insertion loss values are achieved by selecting and processing the connector ferrules
- > available as cable ring or on wooden reel (depending on length and cable type)
- > with or without pulling aid
- > 100 % insertion loss and return loss test, measurement report enclosed

Application

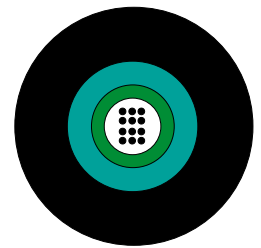
- > Campus - backbone (external cabling)
- > Cabling in industrial areas

Structure



Outdoor cable

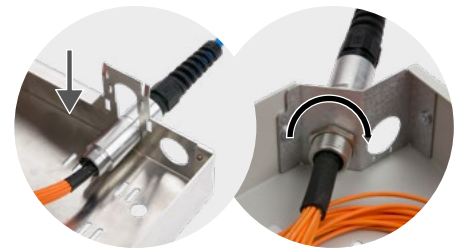
Outdoor cables are designed for outdoor use. These are robust cables with a loose tube construction for direct underground and tube cabling. The cables are metal-free and rodent resistant and have a layer of glass roving elements which provide strain relief and longitudinal watertightness. The LLDPE coating guarantees high tensile strength, UV resistance and rodent resistance. All fibers included used are resistant to bending.



Cable distributor

The cable distributors specially designed by METZ CONNECT are handy but very robust elements which fulfil several tasks:

- > protect the highly sensitive fibers both mechanically and thermally in the transition area from the loose tube cable to the individual cables
- > the cable, the individual cables of the fanout and also the fanout protection are caught in or on the cable distributor and strain-relieved
- > can be securely and stably fixed in the housing or distributor with the supplied locknut or by insertion into the fastening groove



Structure



Fanout

The fanout is always cascaded, i.e. the individual fanout cables are assembled with connectors so that the shortest length is approx. 50 cm.

Fanout protection variants

Bubble wrap




- > is always provided as fanout protection if no other protection has been defined
- > provides simple mechanical protection during transport and installation

Pulling aid

- > is used for pulling into cable ducts or cable shafts. It is the most mechanically resilient fanout protection: treadable, available with protection class IP50 or IP67, and easy to dismantle

The bubble wrap is not suitable for pulling into cable ducts or cable shafts!

Technical Data

SPECIFICATIONS		UP TO 12 FIBERS	UP TO 24 FIBERS	UP TO 48 FIBERS	
					
Cable distributor	Size	S	M	L	
	Length	65 mm	65 mm	80 mm	
	max. outer diameter	25 mm	30 mm	34 mm	
	Type of attachment	Slot or M20	Slot or M25	Slot or M25	
	Hole for attachment	20.3 – 0.2 mm	25.3 – 0.2 mm	25.3 – 0.2 mm	
Cable	Cable type	A-DQ(ZN)B2Y			
	Cable structure (bundle x number of fibers)	1 x 4, 1 x 12	1 x 24	4 x 12	
	Outer diameter	7 mm	7 mm	11.0 mm	
	Cable weight	40 kg/km	40 kg/km	67 kg/km	
	min. bending radius (installation)	190 mm			
Fanout	Single cable	2.1 mm, hollow tube			
	Length	L_{Fmax}	4F: 680 mm 6F: 800 mm 8F: 1040 mm 12F: 1160 mm	16F: 920 mm 24F: 1040 mm	36F: 1100 mm 48F: 1280 mm
		L_{Fmin}	500 mm		
		Marking	Numbered, ① = L_{Fmax}		
	Material and colour of the hollow tubes		I-V(ZN)H, FRNC OS2 = yellow, OM4 = purple, OM3 = aqua		
Pulling aid	max. outer diameter	IP50 IP67	29.5 mm 31.5 mm	37 mm 39 mm	44 mm 46 mm
	max. traction	IP50 IP67	500 N 500 N	500 N 500 N	500 N 500 N
Delivery	Length L_G	2 to 100 m 101 to 500 m 501 to 1000 m	Cable ring drum Ø 600 mm drum Ø 710 mm		–
	Length L_G	2 to 50 m 51 to 150 m 151 to 500 m	–	–	Cable ring drum Ø 600 mm drum Ø 710 mm

Technical Data

FIBER TYPES		MULTIMODE		SINGLEMODE
ISO/IEC 11801 / EN 50173		OM3	OM4	OS2
IEC 60793-2		-10 A1.a.2	-10 A1.a.3	-50 B1.3 and B_6a
ITU-T			G.651.1	G657.A1, G652.D
Damping	850 nm	≤ 3.0 dB/km	≤ 3.0 dB/km	-
	953 nm	-	-	-
	1300 nm	≤ 1.0 dB/km	≤ 1.0 dB/km	-
	1310 to 1625 nm	-	-	≤ 0.38 dB/km

CONNECTOR		SC	LC	E2000	ST	FC	
IEC		61754-4	61754-20	61754-15	61754-2	61754-13	
MM	Insertion loss (against master) ¹	max.	0.4 dB	0.4 dB	0.4 dB	0.4 dB	-
		typical	0.2 dB	0.2 dB	0.2 dB	0.2 dB	-
	Return loss	PC polishing	> 35 dB	> 35 dB	> 35 dB	> 35 dB	-
SM	Insertion loss (against master) ²	max.	0.3 dB	0.3 dB	0.3 dB	0.4 dB	0.4 dB
		typical	0.15 dB	0.15 dB	0.15 dB	0.2 dB	0.2 dB
	Insertion loss (random combination) ²	max.	0.25 dB	0.25 dB	0.25 dB	-	-
		typical	0.15 dB	0.15 dB	0.15 dB	-	-
	Return loss	UPC polishing	> 50 dB	> 50 dB	> 50 dB	> 50 dB	> 50 dB
		APC polishing	> 65 dB	> 65 dB	> 65 dB	-	> 65 dB

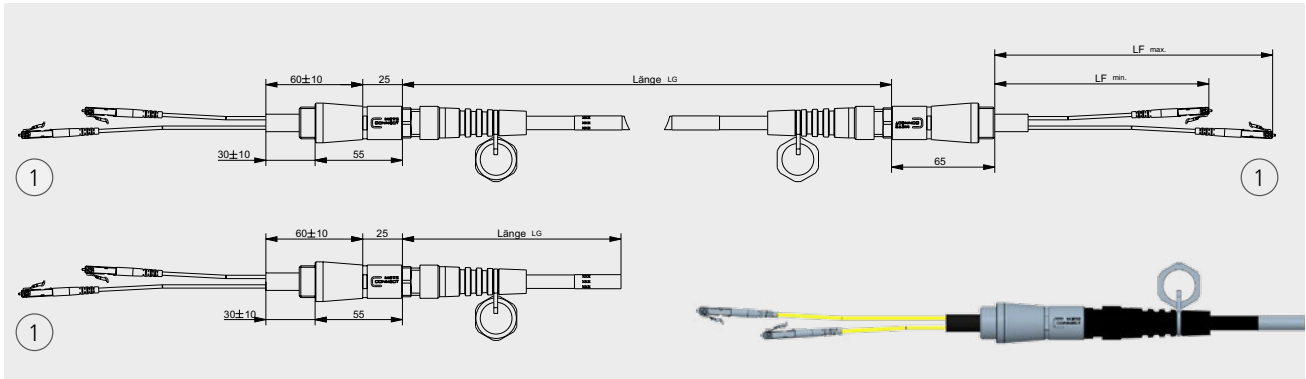
¹ IEC61300-3-4 Method C: Measured value applies to both connectors

² IEC61300-3-4 Method B: Measured value applies to the individual connector

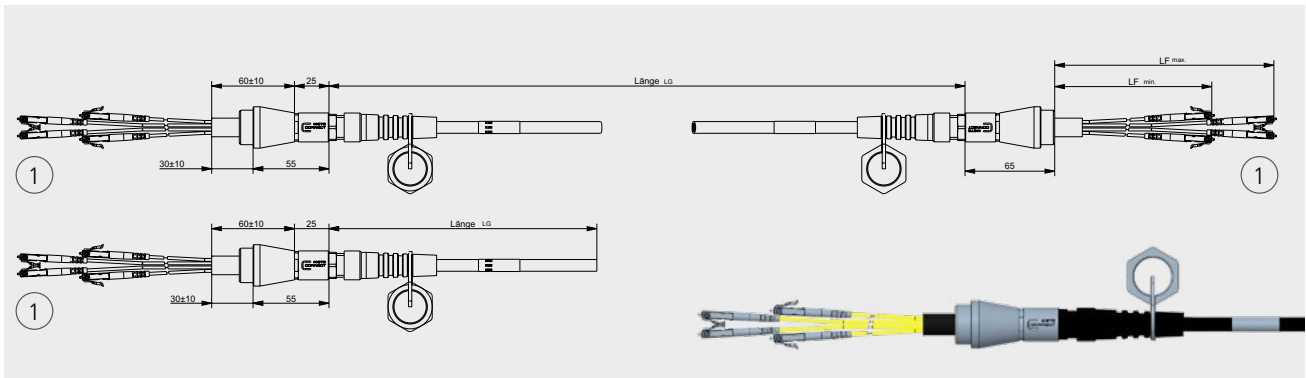
Please note that the insertion loss of the OpDAT VIK consists of the connector and the fiber loss. The latter can be the main part of the insertion loss for long lengths.

Dimensions

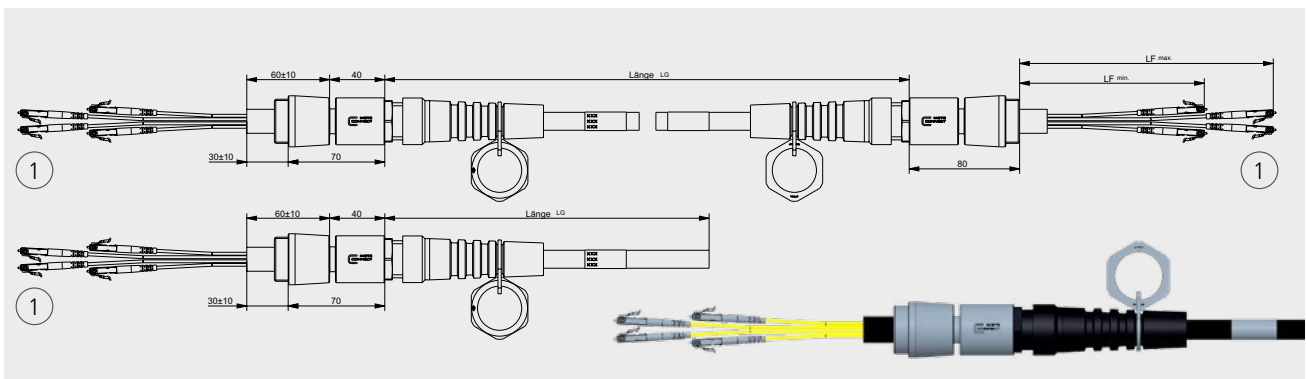
Cable distributor size S – up to 12 fibers



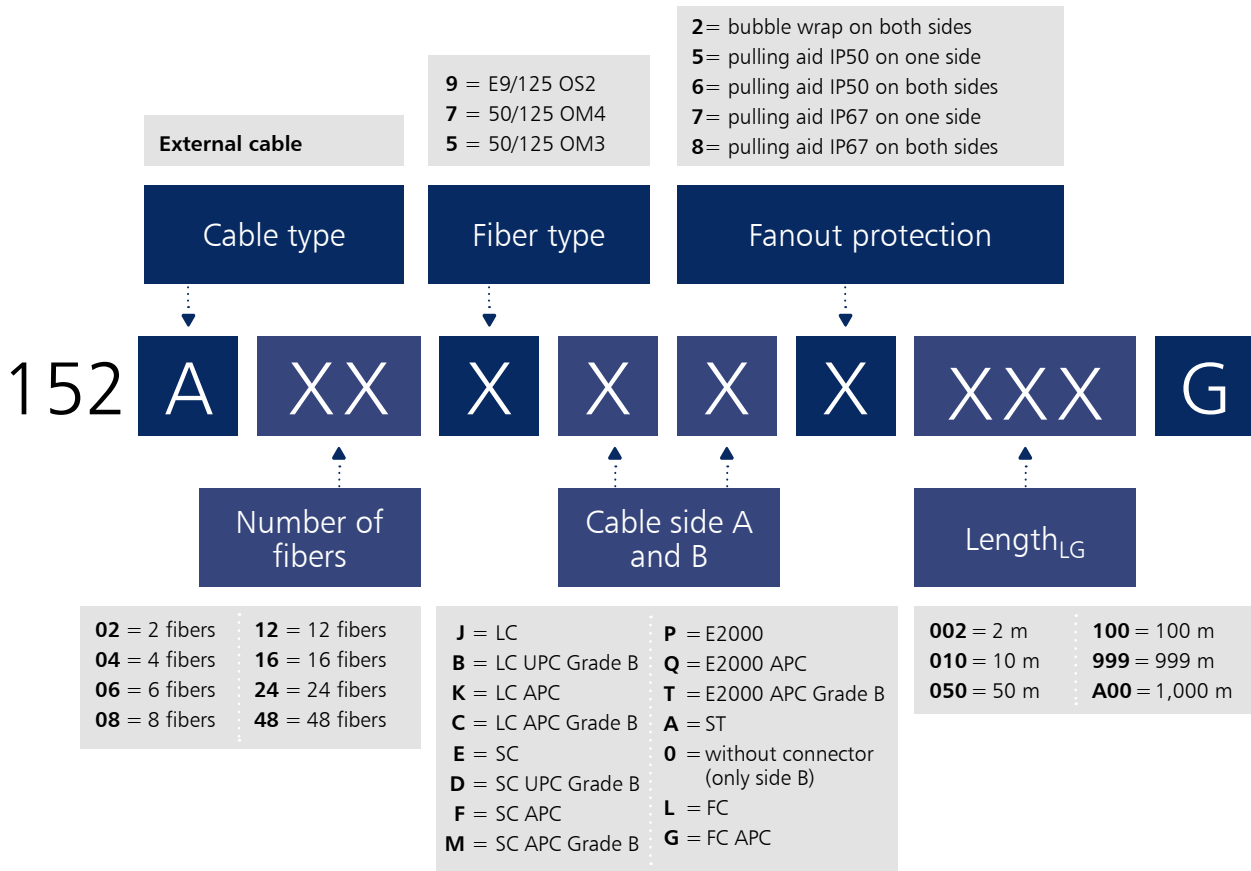
Cable distributor size M – up to 24 fibers



Cable distributor size L – up to 48 fibers



Ordering information



Please note!

The VIKs are specially manufactured according to your wishes. Exchange or returns are therefore excluded. Not all possible combinations are technically feasible. Simply use our cable configurator, which you can find on our homepage at : www.metz-connect.com/configurator. Here you will find all the available variants.





We realize ideas

METZ CONNECT GmbH

Im Tal 2
78176 Blumberg
Germany

Phone +49 7702 533-0
Fax +49 7702 533-189

info@metz-connect.com
www.metz-connect.com

METZ CONNECT USA Inc.

200 Tornillo Way
Tinton Falls, NJ 07712
USA

Phone +1 732 389 1300
Fax +1 732 389 9066

METZ CONNECT France SAS

28, Rue Schweighaeuser
67000 Strasbourg
France

Phone +33 3886 170 73
Fax +33 3886 194 73

METZ CONNECT AUSTRIA GmbH

c/o German chamber of commerce
in Austria

Schwarzenbergplatz 5, Top 3/1
1030 Vienna

Austria

Phone +43 1 227 12 64
Fax +43 1 227 12 66

METZ CONNECT Zhongshan Ltd.

Ping Chang Road
Ping Pu Industrial Park
Sanxiang Town
Zhongshan City, 528463
Guangdong Province
China

Phone +86 760 86365055
Fax +86 760 86365050

METZ CONNECT Asia Pacific Ltd.

Suite 1803, 18/F
Chinachem Hollywood Centre,
1 Hollywood Road, Central
Hong Kong

Phone +852 26 027 300
Fax +852 27 257 522

