

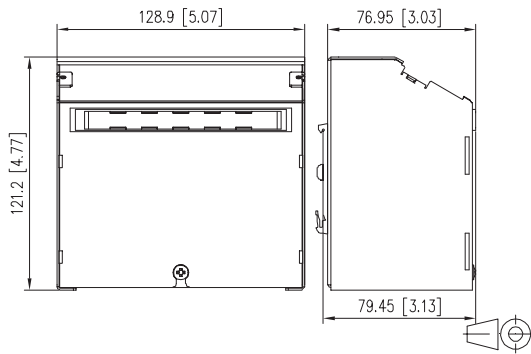
Product information – OpDAT REG S



Product description

- > Very compact splice distributor for TH35 rail
- > Flat design with an inclined outlet (connections facing downward) and a large cabling space
- > Great ease of use even with high cable channels in the immediate surroundings
- > To mount pigtails or pre-terminated installation cables (VIKs)
- > Modular design: housing, equipped front plate and splice tray are to be ordered separately
- > Visible area with label strip
- > The rail bracket can be mounted in different positions to the housing to allow for several mounting variants
- > Cable feed from top or bottom with a strain relief M20 (available as an option)
- > Front plate (3RU/7HP) with LC-Duplex-, LC-Quad, SC-Duplex, ST or E2000 adapters. Other types available on demand
- > 3 variants available:
 - OpDAT REG S V = for pre-terminated cables
 - OpDAT REG S Splice C = for 12 splices with crimp splice holders
 - OpDAT REG S Splice S = for 12 splices with shrink splice holders
- > Particularly solid rail bracket
- > With one captive screw of the cover
- > Suitable for mixed equipment with fiber optic and copper based technology
- > With a mounted blind plate it can be used on the rail as splice box only or also as a transit splice box with up to 12 (24) fibers

Dimensional drawing



Technical Data

DESCRIPTION	INCLUDED IN DELIVERY	
Housing (128.9 x 121.2 x 79.45 mm)	Rail bracket Label window	
Splices		max. 12 splices
ACCESSORIES		
	SC-Duplex	max. 6
	LC-Quad	max. 6
Equipped front plate	LC-Duplex	max. 6
	ST-Simplex	max. 12
	E2000-Simplex	max. 12
Strain relief M20	Strain relief for Kevlar M20 cable gland	max. 2 pieces

Technical Data

DESCRIPTION	P/N
OpDAT S V Housing for VIK (pre-terminated cables)	15024B10-E
OpDAT S Splice C Housing with crimp splice holder	15024B10S-E
OpDAT S Splice S Housing with shrink splice holder	15024B10S-S

Equipped front plate

ADAPTER TYPE	COLOR	TYPE OF FIBRE	PIECES	P/N
SC-D	aqua	OM3	6	15024ABA06-E
	violet	OM4	6	15024ABB06-E
SC-D UPC	blue	OS2	6	15024AE206-E
SC-D APC	green	OS2	6	15024AF206-E
LC-Q	aqua	OM3	6	15024A7806-E
	violet	OM4	6	15024A7906-E
LC-Q UPC	blue	OS2	6	15024A7106-E
LC-Q APC	green	OS2	6	15024A7A06-E
LC-D	aqua	OM3	6	15024A7706-E
	violet	OM4	6	15024A7506-E
LC-D UPC	blue	OS2	6	15024A7406-E
LC-D APC	green	OS2	6	15024A7606-E
ST-S	metal	SM+MM	12	15024A0112-E
E2000-S APC	green	OS2	12	15024A5912-E

ACCESSORIES	P/N
Strain relief M20	150240M20Z-E
Blind plate	130810-01-E
Splice protection	Crimp 15090401-E (packing unit with 12 pcs)
	Shrink 15090402-I (packing unit with 12 pcs)

Possibilities for mixed equipment

Front plates

DESCRIPTION	DESIGN	P/N
Module frame 3RU, 7HP, 6 Port	Modul	130B10E2E-E
Module frame 3RU, 7HP, 6 Port	Keystone	130B20E2E-E

Suitable modules design: Modul

DESCRIPTION	DESIGN	P/N
C6A modul 180°	Modul	130B11-E(Z)
25G modul 180°	Modul	130B11-25-E(Z)
E-DAT modul Cat.6A T568A	Modul	130910-I(Z)
E-DAT modul Cat.6A T568B	Modul	130910-I-B1
E-DAT modul coupler Cat.6	Modul/Keystone	1309A0-I
UAE modul Cat.6A black	Modul	130A11-29-I
UAE modul Cat.6A white	Modul	130A11-I
UAE modul Cat.6	Modul	130909-I
UAE modul Cat.5e	Modul	130908-I-B1
OpDAT modul LC-D OM2, beige	Modul	1509107B-I
OpDAT modul LC-D OM3, aqua	Modul	15091072-I
OpDAT modul LC-D OM4, violet	Modul	15091075-I
OpDAT modul LC-D OM5, lime green	Modul	1509107M-I
OpDAT modul LC-D UPC OS2, blue	Modul	15091071-I
OpDAT modul LC-D APC OS2, green	Modul	15091076-I
OpDAT modul ST-S SM+MM, metal	Modul	15091001-I
KOAX modul jack type F	Modul	130898-01-I
KOAX modul jack type IEC	Modul	130898-02-I
KOAX modul plug type IEC	Modul	130898-03-I

Accessories

Design: Modul

DESCRIPTION	DESIGN	P/N
BLIND modul light gray	Modul	130898-00-I
BLIND modul pure white	Modul	130898-00-RW-I

Suitable modules

Design: Keystone

DESCRIPTION	DESIGN	P/N
C6 _A modul 180° Keystone	Keystone	130B21-E(Z)
25G modul 180° Keystone	Keystone	130B21-25-E(Z)
E-DAT modul K Cat.6 _A	Keystone	130910KI(Z)
E-DAT modul coupler Cat.6	Keystone/Modul	1309A0-I
UTP modul Cat.6 _A black	Keystone	130A11-29KI
UTP modul Cat.6 _A white	Keystone	130A11KI
UTP modul Cat.6 black	Keystone	130A10-29-I-B1
UTP modul Cat.6 white	Keystone	130A10-I-B1
UTP modul Cat.5e	Keystone	130A08-I-B1

Mounting with VIK



Example for a mixed equipment

with OpDAT modul LC-D adapters and C6Δmodul



METZ CONNECT GmbH is a member of the following organizations and associations.



METZ CONNECT USA Inc.

200 Tornillo Way
Tinton Falls, NJ 07712
USA

Phone +1-732-389-1300
Fax +1-732-389-9066

METZ CONNECT France SAS

28, Rue Schweighaeuser
67000 Strasbourg
France

Phone +33 3886 170 73
Fax +33 3886 194 73

METZ CONNECT Zhongshan Ltd.

Ping Chang Road
Ping Pu Industrial Park
Sanxiang Town
Zhongshan City, 528463
Guangdong Province
China

Phone +86 760 86365 055
Fax +86 760 86365 050

METZ CONNECT Asia Pacific Ltd.

Suite 1803, 18/F
Chinachem Hollywood Centre,
1 Hollywood Road, Central
Hong Kong

Phone +852 26 027 300
Fax +852 27 257 522

METZ CONNECT GmbH

Im Tal 2
78176 Blumberg
Germany

Phone +49 7702 533-0
Fax +49 7702 533-189

info@metz-connect.com
www.metz-connect.com

