

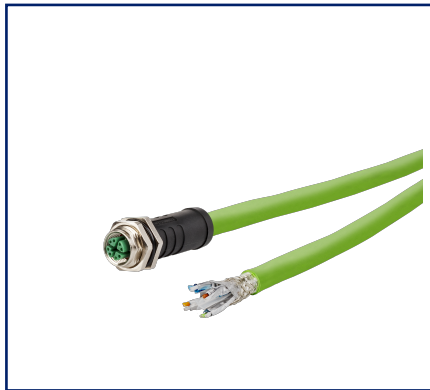
# Data sheet

**M12 Industrial Ethernet cable, X-coded, 10.0 m,  
M12 jack straight - free line end,  
without flange, drag chain, PUR**

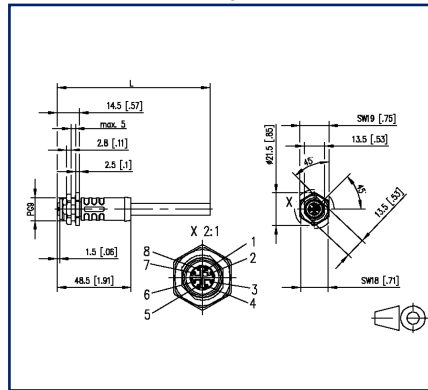
Page 1/7

P/N  
142M6X20100  
EAN 4250184199250  
2025/07/07  
Version: R

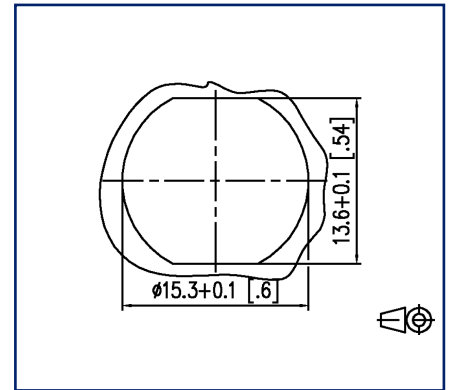
## Illustrations



Dimensional drawing



Cut-out



See enlarged drawings at the end of document

## Product specification

PROFINET 4x 2x AWG26/19 Type C highly flexible high-speed data cable of transmission category Cat 6. The cable is halogen-free, flame-retardant, oil-resistant and resistant to abrasion due to the PUR outer jacket. It is ideally suited for use in industrial environments. High-quality shielding ensures high transmission reliability of the data in electromagnetically stressed areas. Suitable for flexible applications, especially in drag chains or on continuously moving machine parts in dry and humid rooms. Special properties: flame-retardant, recyclable, LABS-free, RoHS-compliant, ozone-resistant, UV-resistant, suitable for drag chains, halogen-free, oil-resistant, high flexibility.

- Standard variants: 1.0 m, 2.0 m, 5.0 m, 10.0 m.
- Other cable lengths on request.



Data sheet

**M12 Industrial Ethernet cable, X-coded, 10.0 m,  
M12 jack straight - free line end,  
without flange, drag chain, PUR**

P/N  
142M6X20100  
EAN 4250184199250  
2025/07/07  
Version: R

**Technical Data**

**General Data**

Fields of application	Industrial Ethernet harsh environment
Design	Ethernet-Connection cable
Shielding	shielded
Transmission technology	Copper
Cable Type	SF/UTP
Number of twisting elements	4
Twisting element	Pair
Wiring	1 - 1
Color coding fiber/ wire(s)	white, orange, white, green, white, brown, white, blue
Color	green
Dimensions	
Dimension - Interface 1 (L x W x H)	48.5 mm x 21.5 mm x 21.5 mm
Dimension - Interface 1 (L x W x H)	1.909 in. x 0.846 in. x 0.846 in.
Cable length (m)	10 m
Cable length (ft)	32.81 ft

**Transmission characteristics**

Category (ISO)	6 <sub>A</sub>
----------------	----------------

**Connections/interfaces**

Connector technology interface 1	M12-jack
Connector technology interface 2	free line end
Coding interface 1	X-coded
Number of positions/contacts interface 1	8
Termination data, stranded wire (min. - max.)	
Conductor cross section, stranded wire	AWG 26/19
Conductor diameter, stranded wire (bare copper)	0.55 mm
Conductor diameter, stranded wire (bare copper)	0.022 in.

Data sheet

**M12 Industrial Ethernet cable, X-coded, 10.0 m,  
M12 jack straight - free line end,  
without flange, drag chain, PUR**

P/N  
142M6X20100  
EAN 4250184199250  
2025/07/07  
Version: R

**Technical Data**

<b>Connections/interfaces</b>	
Core diameter (min. - max.)	
Core diameter (conductor with insulation)	0.98 mm
Core diameter (conductor with insulation)	0.039 in.
Cable sheath diameter (min. - max.)	
Cable sheath diameter	7.80
Cable sheath diameter	0.307
<b>Electrical characteristics</b>	
Current carrying capacity	0.5 A at 40 °C
Rated voltage	60 V DC
Insulation resistance	min. 100 MOhm
Transfer impedance 10 MHz	max. 30 mOhm/m
Characteristic impedance 1-100 MHz	100
Capacitance at 800 Hz	52 nF/km
Delay skew	30 ns/100 m
<b>Mechanical data</b>	
Tensile force	100 N
Life - Number of mating cycles	min. 100
Bending radius without load	31.2 mm
Bending radius without load	1.228 in.
Bending radius with load	58.5 mm
Bending radius with load	2.303 in.
Maximum operating bending radius	58.5 mm
Maximum operating bending radius	2.303 in.
Number of alternating bending cycles (mechanical resistance) at:	4 million bending cycles
Alternating bending radius	58.5 mm
velocity	3 m/s
acceleration	3 m/s <sup>2</sup>
Shielding braid coverage	85 %

© 2025 METZ CONNECT - Technische Änderungen vorbehalten! Subject to modifications! Sous réserve de modifications techniques!

Data sheet

**M12 Industrial Ethernet cable, X-coded, 10.0 m,  
M12 jack straight - free line end,  
without flange, drag chain, PUR**

P/N  
142M6X20100  
EAN 4250184199250  
2025/07/07  
Version: R

**Technical Data**

**Materials and material properties**

Material - Conductor	Cu (copper)
Material - Conductor Insulation	polypropylene
Material - Cable jacket	PUR
Material - Inner cable jacket	FRNC, with an aluminized film
Material - Body interface 1	Plastics
Material - Contact interface 1	CuZnPb (brass)
Material - Contact finish interface 1	Au (gold)
Material - Contact carriers interface 1	Plastics
Material - Main shield	Cu (copper) braid
Material - Main shield finish	Sn
Flame retardancy	according to IEC 60332-1-2
Halogen free	yes
Oil resistance	yes
UV-resistance	yes
drag chain suitable	yes
RoHS	compliant

**Environmental conditions**

Temperature (min. - max.)	
Temperature - Operating °C	-30 °C - 90 °C
Temperature - Operating °F	-22 °F - 194 °F
Particulate ingress interface 1	IP6X when plugged in
Liquid ingress/immersion interface 1	IPX5, IPX7 when plugged in
Pollution degree interface 1	2

**Approvals**

UL listed (file no.)



DUXR.E178484

Data sheet

**M12 Industrial Ethernet cable, X-coded, 10.0 m,  
M12 jack straight - free line end,  
without flange, drag chain, PUR**

P/N  
142M6X20100  
EAN 4250184199250  
2025/07/07  
Version: R

**Technical Data**

**Standards/Regulations**

Generic cabling systems

General requirements ISO/IEC 11801 | ANSI/TIA-568

Connectors for electronic equipment

circular connector DIN EN 61076-2-109

Multi-element metallic cables used in analogue and digital communication and control

DIN EN 50288-5-2

Test for vertical flame propagation for a single insulated wire or cable

IEC 60332-1-2

Determination of the halogen acid gas content

IEC 60754-1

**Classifications**

ETIM 7.0 EC002599

ETIM 8.0 EC002599

ETIM 9.0 EC002599

ETIM 10.0 EC002599

**Packing details**

Type of packaging 1 pc(s) / plastic bag

**Application note**

This product is a standard product of METZ CONNECT. METZ CONNECT is not aware of the specific intended use of the goods by the Customer or any customers of the Customer. The Customer guarantees that it has fully and sufficiently tested the use of the goods and any product modifications, product changes or product enhancements with regard to the specific intended use in accordance with the state of the art or in any other way. At METZ CONNECT's request, the Customer shall submit and make available meaningful evidence (e.g. test and laboratory protocols, certifications, etc.).

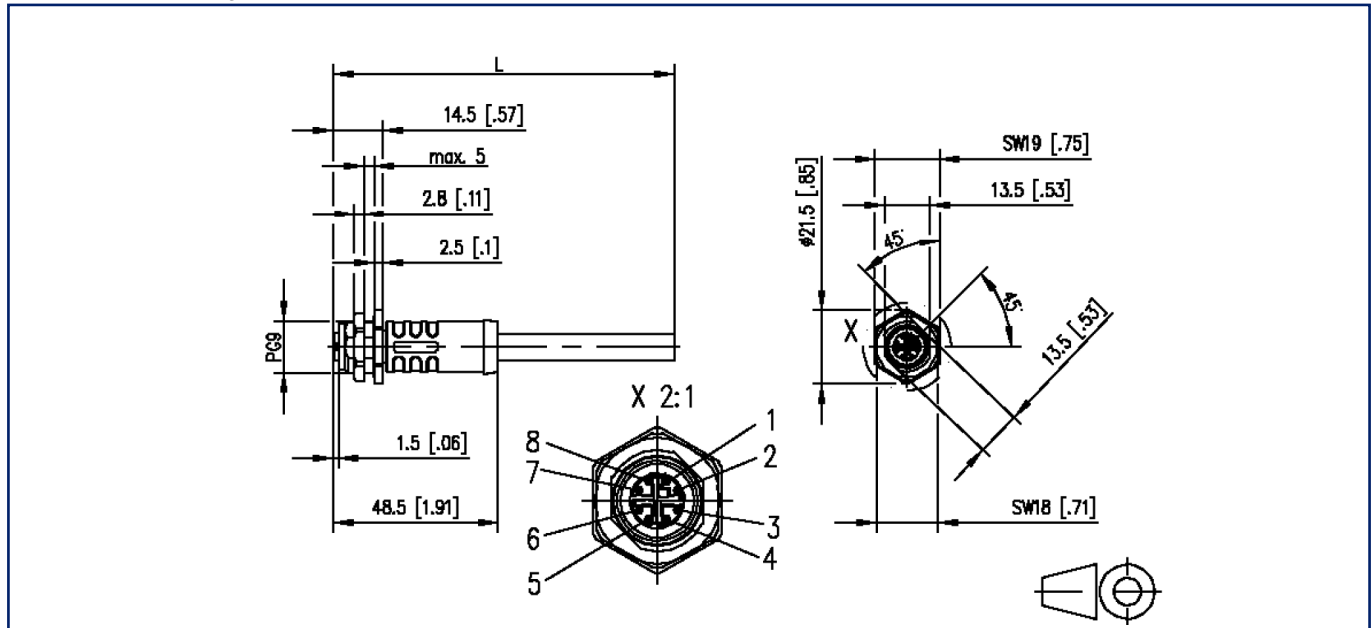
Data sheet

**M12 Industrial Ethernet cable, X-coded, 10.0 m,  
M12 jack straight - free line end,  
without flange, drag chain, PUR**

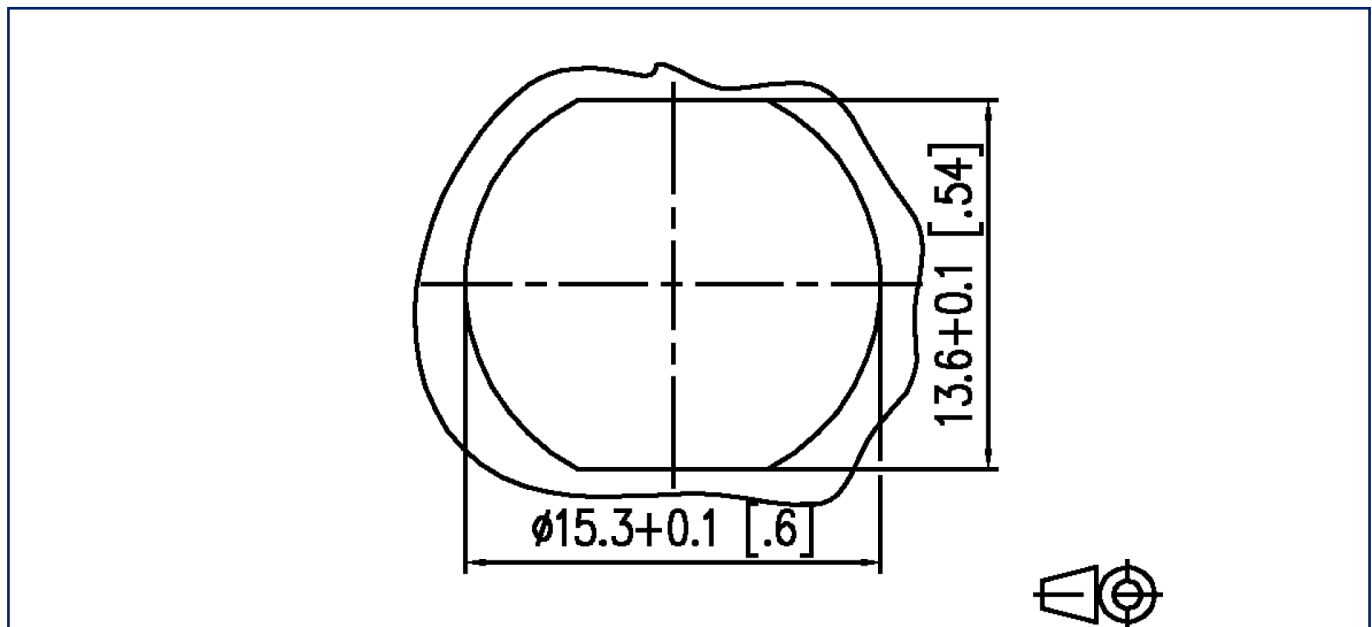
P/N  
**142M6X20100**  
EAN 4250184199250  
2025/07/07  
Version: R

**Illustrations**

Dimensional drawing



Cut-out



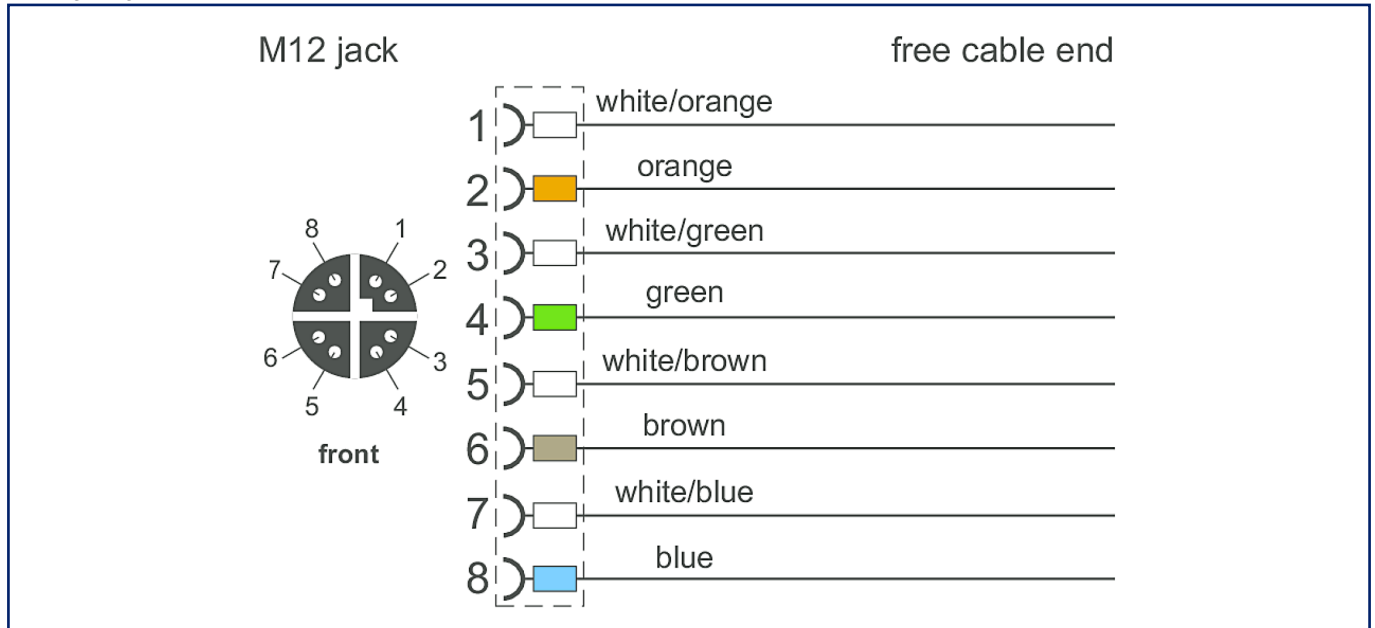
Data sheet

**M12 Industrial Ethernet cable, X-coded, 10.0 m,  
M12 jack straight - free line end,  
without flange, drag chain, PUR**

P/N  
142M6X20100  
EAN 4250184199250  
2025/07/07  
Version: R

**Illustrations**

Wiring diagram



Principle diagram

