

# Data sheet

## MCO IP69k Protective housing for outdoor use, set with mounting bracket

Page 1/8

P/N

14040010-E

EAN 4251394617589

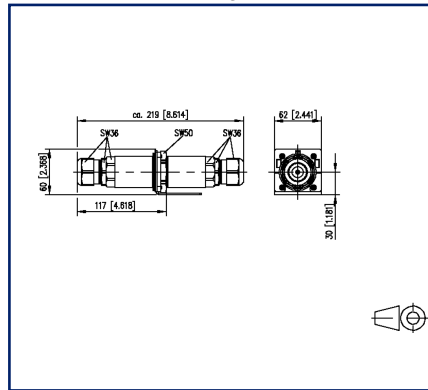
2025/09/22

Version: I

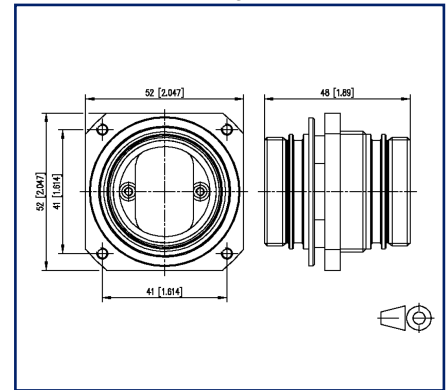
### Illustrations



Dimensional drawing



Dimensional drawing



See enlarged drawings at the end of document

### Product specification

- designed for wall, top-hat rail, quick and pole mounting
- incl. mounting bracket and fixing plate for quick and tool-free fixing of the flange
- universally and flexibly usable
- completely dust- and waterproof
- resistant to ozone, UV-radiation and salt water
- resistant to high-pressure jet cleaning, high temperatures and strong vibrations
- tested according to IP69k, IP67 and IP66
- M32 tubes and flange made of anodised aluminium
- incl. M32 cable glands (PA) with sealing inserts, O-rings and adapter plates for MC module, keystone and fibre optic components, for clean mounting inside the flange
- suitable for cable sheath diameters from 4.5 to 15.0 mm
- top-hat rail adapter not included in the scope of delivery, part no.: 1308990111-I



# MCO IP69k Protective housing for outdoor use, set with mounting bracket

P/N  
14040010-E

EAN 4251394617589

2025/09/22

Version: I

## Technical Data

### General Data

Color	Aluminium anodised/black
Dimensions	
Dimension (L x W x H)	219 mm x 62 mm x 60 mm
Dimension (L x W x H)	8.622 in. x 2.441 in. x 2.362 in.

### Connections/interfaces

Cable sheath diameter (min. - max.)	
Cable sheath diameter	4.5 mm - 15 mm

### Materials and material properties

Material - Protective housing	Al (Aluminium)
Material - Protective housing finish	anodized
Material - Cable glands seal	TPE
Material - Cable gland	PA (polyamide)
Material - mounting bracket	Al (Aluminium)
RoHS	yes

### Environmental conditions

Temperature (min. - max.)	
Temperature - Operating °C	-40 °C - 85 °C
Temperature - Operating °F	-40 °F - 185 °F
Particulate ingress	IP6X
Liquid ingress/immersion	IPX6 / IPX7 / IPX9K

### Classifications

ETIM 7.0	EC000444
ETIM 8.0	EC000444
ETIM 9.0	EC000444
ETIM 10.0	EC000444

Data sheet

Page 3/8

**MCO IP69k Protective housing for outdoor use,  
set with mounting bracket**

P/N

14040010-E

EAN 4251394617589

2025/09/22

Version: I

**Technical Data****Packing details**

Type of packaging 1 pc(s) / box

**Notes**

Safety instructions The rated voltage of the installed components shouldn't increase over 50 VAC or 75 VDC.

**Application note**

This product is a standard product of METZ CONNECT. METZ CONNECT is not aware of the specific intended use of the goods by the Customer or any customers of the Customer. The Customer guarantees that it has fully and sufficiently tested the use of the goods and any product modifications, product changes or product enhancements with regard to the specific intended use in accordance with the state of the art or in any other way. At METZ CONNECT's request, the Customer shall submit and make available meaningful evidence (e.g. test and laboratory protocols, certifications, etc.).



Data sheet

Page 4/8

## MCO IP69k Protective housing for outdoor use, set with mounting bracket

P/N  
14040010-E

EAN 4251394617589

2025/09/22

Version: I

### Accessories

P/N	Designation
130863-02-DNV	Cable connector class F <sub>A</sub> DNV
130863-02-E	Cable connector class F <sub>A</sub>
130863-04-E	Cable connector class E <sub>A</sub> 180°
130908-I-B1	UAE modul Cat.5e white
130909-I	UAE modul Cat.6 jack white
130910-DNV	E-DAT modul Cat.6 <sub>A</sub> 8(8) jack DNV
130910-I	E-DAT modul Cat.6 <sub>A</sub> 8(8) jack
130910K-DNV	E-DAT modul Cat.6 <sub>A</sub> K jack - Keystone style DNV
130910KI	E-DAT modul Cat.6 <sub>A</sub> K jack - Keystone style
130910KZ	E-DAT modul Cat.6 <sub>A</sub> K jack - Keystone style (12 pcs)
130910-Z	E-DAT modul Cat.6 <sub>A</sub> 8(8) jack, (12 pcs)
1309A0-I	E-DAT modul coupler 8(8) 180° class E <sub>A</sub>
130A08-I-B1	UTP modul Cat.5e white
130A10-29-I-B1	UTP modul 8(8) Cat.6 black
130A11-29-I	UAE modul 8(8) Cat.6 <sub>A</sub> black
130A11-29KI	UTP modul 8(8) Cat.6 <sub>A</sub> Keystone black
130A11-I	UAE modul 8(8) Cat.6 <sub>A</sub> white
130A11KI	UTP modul 8(8) Cat.6 <sub>A</sub> Keystone white
130B11-25-E	25Gmodul
130B11-25-Z	25Gmodul (12 pcs)
130B11-DNV	C6 <sub>A</sub> modul 180° jack DNV
130B11-E	C6 <sub>A</sub> modul 180° jack
130B11-Z	C6 <sub>A</sub> modul 180° jack (12 pcs)
130B21-25-E	25Gmodul - Keystone
130B21-25-Z	25Gmodul - Keystone style (12 pcs)
130B21-DNV	C6 <sub>A</sub> modul K 180° jack DNV - Keystone style
130B21-E	C6 <sub>A</sub> modul K 180° jack - keystone style
130B21-Z	C6 <sub>A</sub> modul K 180° jack - Keystone style (12 pcs)
130E405032-DNV	C6 <sub>A</sub> RJ45 field plug pro DNV
130E405032-E	C6 <sub>A</sub> RJ45 field plug pro
1401100810MI	E-DAT Industry RJ45 field jack insert Cat.6 Class E <sub>A</sub> , T568A
1401200810MI	E-DAT Industry RJ45 coupler insert Class E
1401405012-DNV	E-DAT Industry RJ45 field plug black Cat.6 Class E <sub>A</sub> DNV

# MCO IP69k Protective housing for outdoor use, set with mounting bracket

P/N  
14040010-E

EAN 4251394617589

2025/09/22

Version: I

## Accessories

1401800810MI	E-DAT Industry RJ45 field jack insert Cat.6 Class E <sub>A</sub> , T568B
1401900810MI	E-DAT Industry RJ45 field jack insert Cat.6 Class E <sub>A</sub> , PROFINET
1402300820MI	OpDAT Industry LC-D MM adapter insert
1402L00820MI	OpDAT Industry LC-D SM adapter insert
14040Z02-E	MCO IP69k protective cover for flange
14040Z03-E	Protection cap for tube
15090012-50	OpDAT adapter SC-Simplex OM2 - 50 pieces
1509001A-50	OpDAT adapter SC-Simplex APC OS2 - 50 pieces
1509001A-I	OpDAT adapter SC-Simplex APC OS2
1509001B-50	OpDAT adapter SC-Simplex UPC OS2 - 50 pieces
1509001B-I	OpDAT adapter SC-Simplex UPC OS2
1509001C-50	OpDAT adapter SC-Simplex OM3 - 50 pieces
1509001C-I	OpDAT adapter SC-Simplex OM3
1509001D-50	OpDAT adapter SC-Simplex OM4 - 50 pieces
1509001D-I	OpDAT adapter SC-Simplex OM4
1509001H-I	OpDAT adapter SC-Simplex APC OS2 with shutter
1509001M-50	OpDAT adapter SC-Simplex OM5 - 50 pieces
1509001M-I	OpDAT adapter SC-Simplex OM5
15090058-I	OpDAT adapter E2000-Simplex OS2
15090059-I	OpDAT adapter E2000-Simplex APC OS2
1509005A-I	OpDAT adapter E2000-Duplex MM with Snap-In mounting
1509005B-I	OpDAT adapter E2000-Duplex OS2 with Snap-In mounting
1509005C-I	OpDAT adapter E2000-Duplex APC OS2 with Snap-In mounting
1509005F-I	OpDAT adapter E2000-Duplex APC OS2 with flange mounting
1509005G-I	OpDAT adapter E2000-Simplex OM5
1509005H-I	OpDAT adapter E2000-Simplex OM3
1509005MA-I	OpDAT adapter MTP <sup>®</sup> OM3 type A
1509005M-I	OpDAT adapter E2000-Simplex OS2
15090074-50	OpDAT adapter LC-Duplex OS2 - 50 pieces
15090074-I	OpDAT adapter LC-Duplex OS2
15090075-50	OpDAT adapter LC-Duplex OM4 - 50 pieces
15090075-I	OpDAT adapter LC-Duplex OM4
15090076-50	OpDAT adapter LC-Duplex APC OS2 - 50 pieces

Data sheet

Page 6/8

## MCO IP69k Protective housing for outdoor use, set with mounting bracket

P/N

14040010-E

EAN 4251394617589

2025/09/22

Version: I

### Accessories

15090076-I	OpDAT adapter LC-Duplex APC OS2
15090077-50	OpDAT adapter LC-Duplex OM3 - 50 pieces
15090077-I	OpDAT adapter LC-Duplex OM3
1509007B-I	OpDAT adapter LC-Duplex MM
1509007G-I	OpDAT adapter LC-Duplex APC OS2 with inner shutter
1509007MA-I	OpDAT adapter MTP® OM4 type A
1509007MB-I	OpDAT adapter MTP® OM4 type B
1509007M-I	OpDAT adapter LC-Duplex OM5
1509008MA-I	OpDAT adapter MTP® OM5 type A
1509008MB-I	OpDAT adapter MTP® OM5 type B
1509009MA-I	OpDAT adapter MTP® APC OS2 type A
15091071-I	OpDAT modul LC-Duplex OS2
15091072-I	OpDAT modul LC-Duplex OM3
15091075-I	OpDAT modul LC-Duplex OM4
15091076-I	OpDAT modul LC-Duplex APC OS2
1509107B-I	OpDAT modul LC-Duplex MM
1509107M-I	OpDAT modul LC-Duplex OM5
895154-I	Split seal for patch cords
MMF881A315-DNV	M12 jack, X-coded, IP67, Cat.6 <sub>A</sub> , Ø 6-9.7 mm, field assembly, straight DNV
MMF881A315-DNV1	M12 jack, X-coded, IP67, Cat.6 <sub>A</sub> , Ø 6-9.7 mm, field assembly, with flange DNV
MNF881A315-DNV1	M12 plug, X-coded, IP67, Cat.6 <sub>A</sub> , Ø 6-9.7 mm, field assembly, straight DNV

Data sheet

Page 7/8

**MCO IP69k Protective housing for outdoor use,  
set with mounting bracket**

P/N  
14040010-E

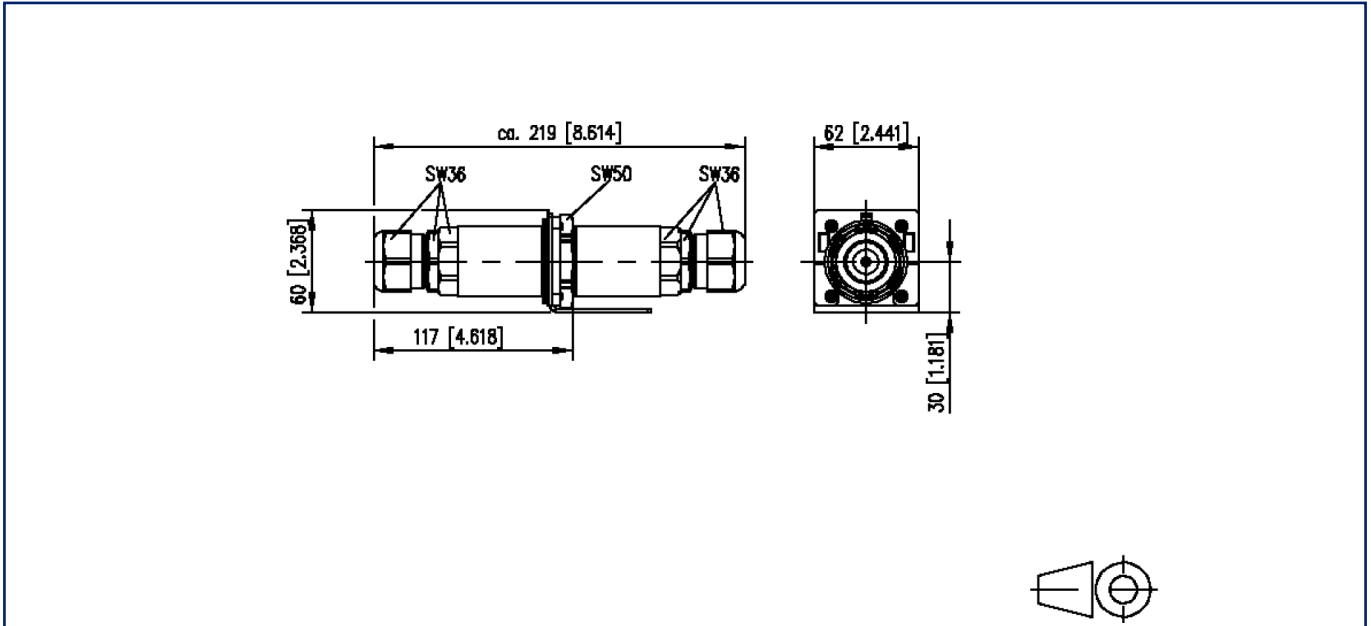
EAN 4251394617589

2025/09/22

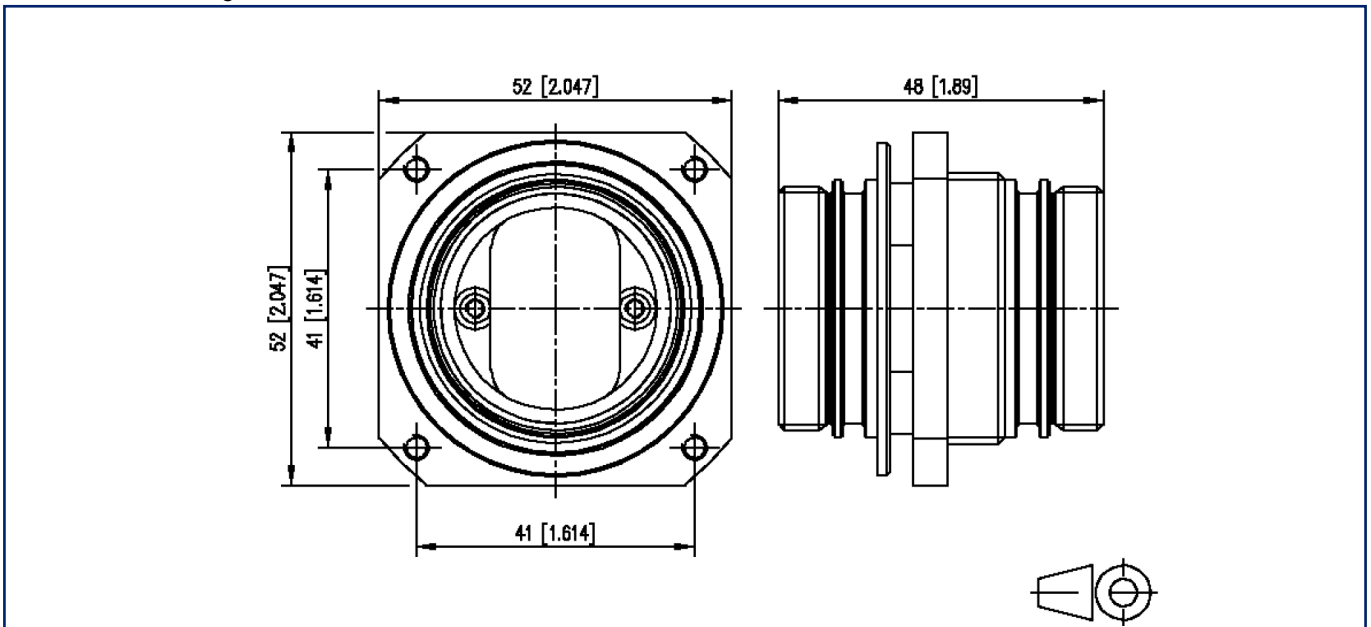
Version: I

**Illustrations**

Dimensional drawing



Dimensional drawing



Data sheet

Page 8/8

# MCO IP69k Protective housing for outdoor use, set with mounting bracket

P/N  
14040010-E

EAN 4251394617589

2025/09/22

Version: I

## Illustrations

Dimensional drawing

