

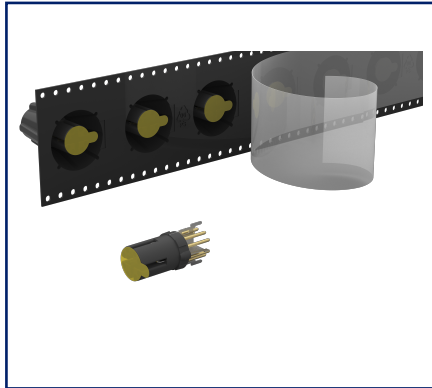
# Data sheet

## PC board insert M12, X-coded, 8-pole, black, Tape & Reel

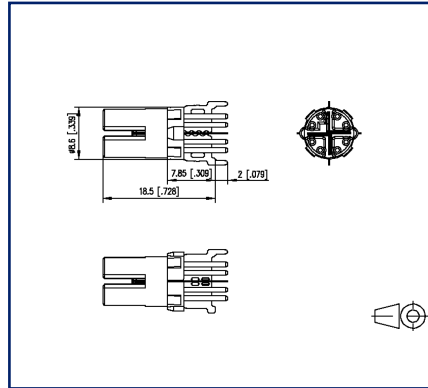
Page 1/5

P/N  
MMT060A315-G201  
EAN 4251394631639  
2026/05/20  
Version: Q

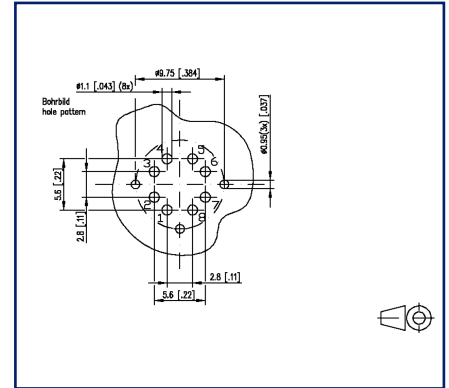
### Illustrations



Dimensional drawing



Drill pattern



See enlarged drawings at the end of document

### Product specification

- PC board insert M12
- 8-pole, X-coded according to IEC 61076-2-109
- 10 GBit suitable according to IEEE 802.3an
- THR solderable
- Top entry
- Contact carriers black
- Tape & Reel packaging
- suitable for applications in the railway industry according to data sheet



Data sheet

Page 2/5

**PC board insert M12, X-coded, 8-pole, black,  
Tape & Reel**

P/N  
MMT060A315-G201  
EAN 4251394631639  
2026/05/20  
Version: Q

**Technical Data**

**General Data**

Dimensions	
Dimension (D x H)	Ø 9.2 mm x 20.5 mm
Dimension (D x H)	0.362 in. x 0.807 in.
Ports	Single port
Coding	X-coded

**Electrical characteristics**

Rated voltage	50 V AC / 60 V DC
Effective value of the withstand voltage	0.5 kV
Current carrying capacity at 40 °C	0.5 A
Insulation resistance	min. 100 MOhm
Overvoltage category	II
Degree of pollution	2

**Mechanical data**

Material	
Material - Contact	CuZnPb
Contact surface	Ni + Au
Shield material	CuSn
Color	black
Life - Number of mating cycles	>= 100

**Climatic properties**

Temperature - Operating °C	-40 °C - 85 °C
Temperature - Operating °F	-40 °F - 185 °F

**Approvals**

Approval mark UL/CSA	E178484
----------------------	---------

**Packaging**

Type of packaging	160 pc(s) / Tape & Reel
-------------------	-------------------------

Data sheet

Page 3/5

**PC board insert M12, X-coded, 8-pole, black,  
Tape & Reel**

P/N

MMT060A315-G201

EAN 4251394631639

2026/05/20

Version: Q

**Technical Data****Standards/Regulations**

Railway applications

Insulating body	PA UL 94 V0 complies with HL1-HL3; R26 according to EN 45545-2:2020+A1:2023
-----------------	---

Flammable mass (g)	0.62 g
--------------------	--------

**Classifications**

ETIM 7.0	EC002637
----------	----------

ETIM 8.0	EC002637
----------	----------

ETIM 9.0	EC002637
----------	----------

ETIM 10.0	EC002637
-----------	----------

**Application note**

This product is a standard product of METZ CONNECT. METZ CONNECT is not aware of the specific intended use of the goods by the Customer or any customers of the Customer. The Customer guarantees that it has fully and sufficiently tested the use of the goods and any product modifications, product changes or product enhancements with regard to the specific intended use in accordance with the state of the art or in any other way. At METZ CONNECT's request, the Customer shall submit and make available meaningful evidence (e.g. test and laboratory protocols, certifications, etc.).



Data sheet

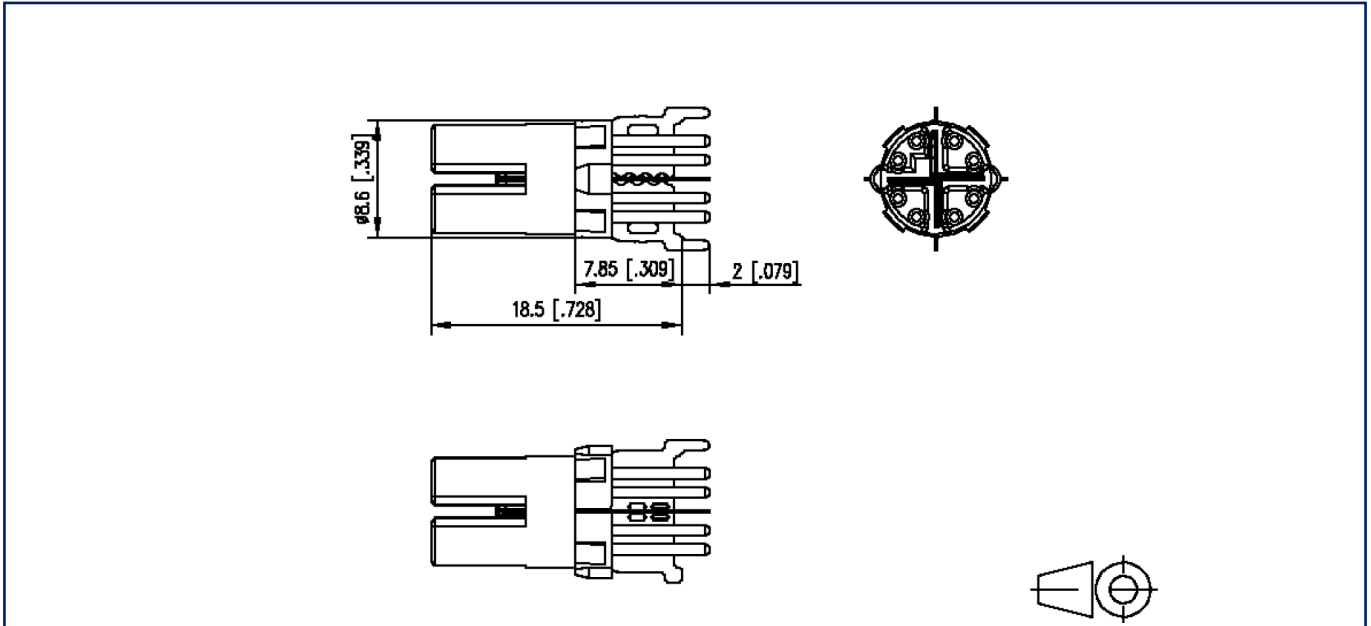
Page 4/5

**PC board insert M12, X-coded, 8-pole, black,  
Tape & Reel**

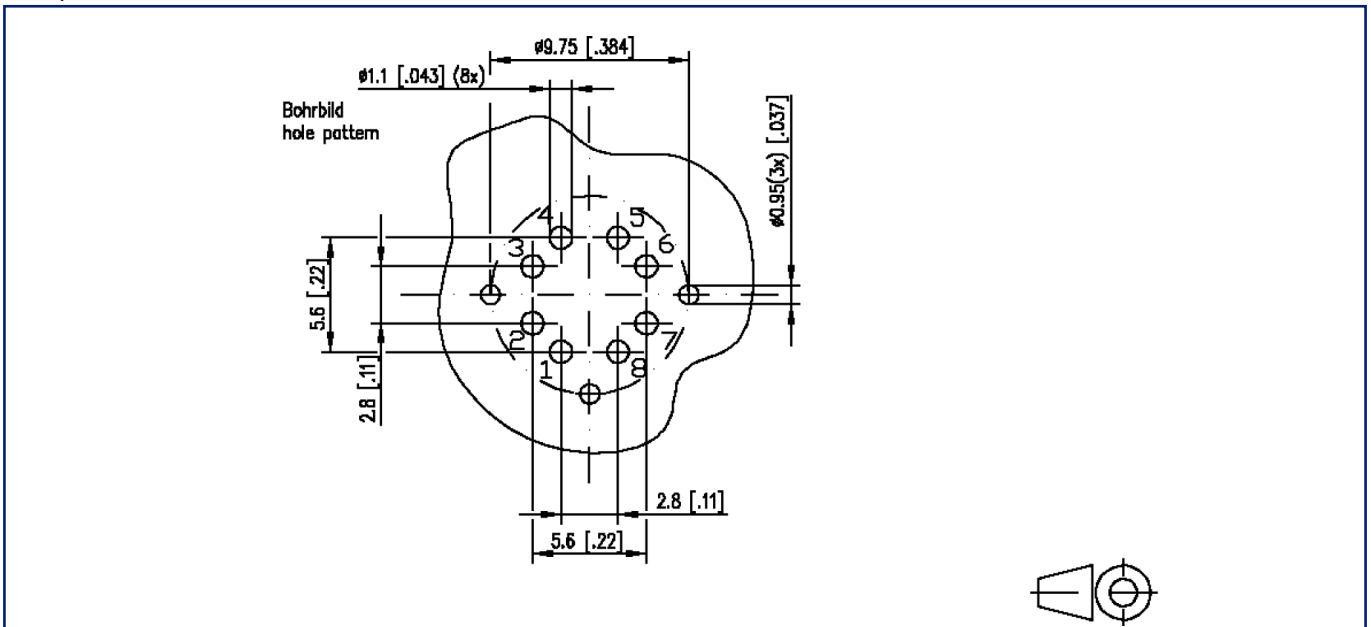
P/N  
MMT060A315-G201  
EAN 4251394631639  
2026/05/20  
Version: Q

**Illustrations**

Dimensional drawing



Drill pattern



Data sheet

Page 5/5

**PC board insert M12, X-coded, 8-pole, black,  
Tape & Reel**

P/N  
MMT060A315-G201  
EAN 4251394631639  
2026/05/20  
Version: Q

### Illustrations

Snap-in geometry

