



Data sheet

**M12 jack, D-coded, IP67, Cat.5, Ø 4-6 mm, field assembly, with flange**

P/N  
MMF891A115-0001  
EAN 4251394672786  
2026/05/20  
Version: L

**Technical Data**

**General Data**

Electromagnetic measurement according to MICE	E2
Design	Jack
Mounting style	back side
Shielding	shielded
Transmission technology	Copper
Dimensions	
Dimension (L x W x H)	49 mm x 16.8 mm x 16.8 mm
Dimension (L x W x H)	1.929 in. x 0.661 in. x 0.661 in.
Field assembly ability	yes
Labeling option	on housing

**Transmission characteristics**

Category (ISO)	5e
Category (TIA)	5e

**Connections/interfaces**

Connector technology interface 1	IDC-connection
Connector technology interface 2	M12-jack
Coding interface 2	D-coded
Number of ports interface 2	1
Number of ports interface 2 equipped	1
Number of positions/contacts interface 1	4
Number of positions/contacts interface 2	4
Termination data, solid wire (min. - max.)	
Conductor cross section, solid wire	AWG 26/1 - AWG 22/1
Conductor cross section, solid wire	0.128 mm <sup>2</sup> - 0.324 mm <sup>2</sup>
Conductor diameter, solid wire (bare copper)	0.409 mm - 0.643 mm
Conductor diameter, solid wire (bare copper)	0.016 in. - 0.025 in.

**M12 jack, D-coded, IP67, Cat.5, Ø 4-6 mm, field assembly, with flange**

P/N  
**MMF891A115-0001**  
**EAN 4251394672786**  
 2026/05/20  
 Version: L

**Technical Data**

**Connections/interfaces**

Termination data, stranded wire (min. - max.)	
Conductor cross section, stranded wire	AWG 26/7 - AWG 22/7
Conductor cross section, stranded wire	0.141 mm <sup>2</sup> - 0.355 mm <sup>2</sup>
Conductor diameter, stranded wire (bare copper)	0.483 mm - 0.762 mm
Conductor diameter, stranded wire (bare copper)	0.019 in. - 0.03 in.
Aderdurchmesser (min.-max.)	
Core diameter (conductor with insulation)	0.85 mm - 1.6 mm
Core diameter (conductor with insulation)	0.033 in. - 0.063 in.
Cable sheath diameter (min. - max.)	
Cable sheath diameter	4 mm - 6.0 mm
Cable sheath diameter	0.157 in. - 0.236 in.
Cable access/outlet	straight M12

**Electrical characteristics**

Current carrying capacity at 40 °C	max. 4 A
Rated voltage	48 V AC / 60 V DC
Note for contact resistance	plug / jack
Contact resistance	max. 5 mOhm
Insulation resistance	min. 100 MOhm

**Mechanical data**

Mounting method	screwable
Insertion and withdrawal force	10 N 15 N
Life - Number of mating cycles	min. 100

**Materials and material properties**

Material - Housing	GD-Zn
Material - Contact	CuZnPb (brass)
Material - Contact finish	Ni + Au (nickel-gold)
Material - Contact carriers	PA UL 94 V0
Material - Shield	CuSn
Material - Shield finish	Sn
Material - Stuffer cap	PA UL94-V0

Data sheet

**M12 jack, D-coded, IP67, Cat.5, Ø 4-6 mm, field assembly, with flange**

P/N  
MMF891A115-0001  
EAN 4251394672786  
2026/05/20  
Version: L

**Technical Data**

**Materials and material properties**

Material - Finish	Ni (nickel)
RoHS	compliant

**Environmental conditions**

Temperature (min. - max.)	
Note for Temperature - Operating	plug / jack
Temperature - Operating °C	-40 °C - 85 °C
Temperature - Operating °F	-40 °F - 185 °F
Protection category	IP67 when plugged in
Overvoltage category	II
Degree of pollution	3

**Approvals**

UL listed (file no.)		DUXR.E178484
----------------------	--	--------------

**Standards/Regulations**

Connectors for electronic equipment	
circular connector	M12 connector following to DIN EN 61076-2-101:2012
Railway applications	
Contact holder	Thermoplastic HL1-HL3; R22, R23 according to EN 45545-2:2020+A1:2023
Flammable mass (g)	1.2 g
Stuffer cap	Thermoplastic HL1-HL3; R22, R23 according to EN 45545-2:2020+A1:2023
Flammable mass (g)	0.97 g
Sealings	Elastomer
Flammable mass (g)	3.52 g
Shock and vibration	EN 50155:2021, EN 61373:2010 Class 1 Category B
Salt spray	EN 50155:2021, (DIN EN 60068-2-11:2000-02/ 48-hour KA test)

Data sheet

Page 5/6

**M12 jack, D-coded, IP67, Cat.5, Ø 4-6 mm,  
field assembly, with flange**

P/N

MMF891A115-0001

EAN 4251394672786

2026/05/20

Version: L

## Technical Data

### Classifications

ETIM 7.0	EC002635
ETIM 8.0	EC002635
ETIM 9.0	EC002635
ETIM 10.0	EC002635

### Packing details

Type of packaging 10 pc(s) / box

### Application note

This product is a standard product of METZ CONNECT. METZ CONNECT is not aware of the specific intended use of the goods by the Customer or any customers of the Customer. The Customer guarantees that it has fully and sufficiently tested the use of the goods and any product modifications, product changes or product enhancements with regard to the specific intended use in accordance with the state of the art or in any other way. At METZ CONNECT's request, the Customer shall submit and make available meaningful evidence (e.g. test and laboratory protocols, certifications, etc.).



Data sheet

Page 6/6

**M12 jack, D-coded, IP67, Cat.5, Ø 4-6 mm,  
field assembly, with flange**

P/N

MMF891A115-0001

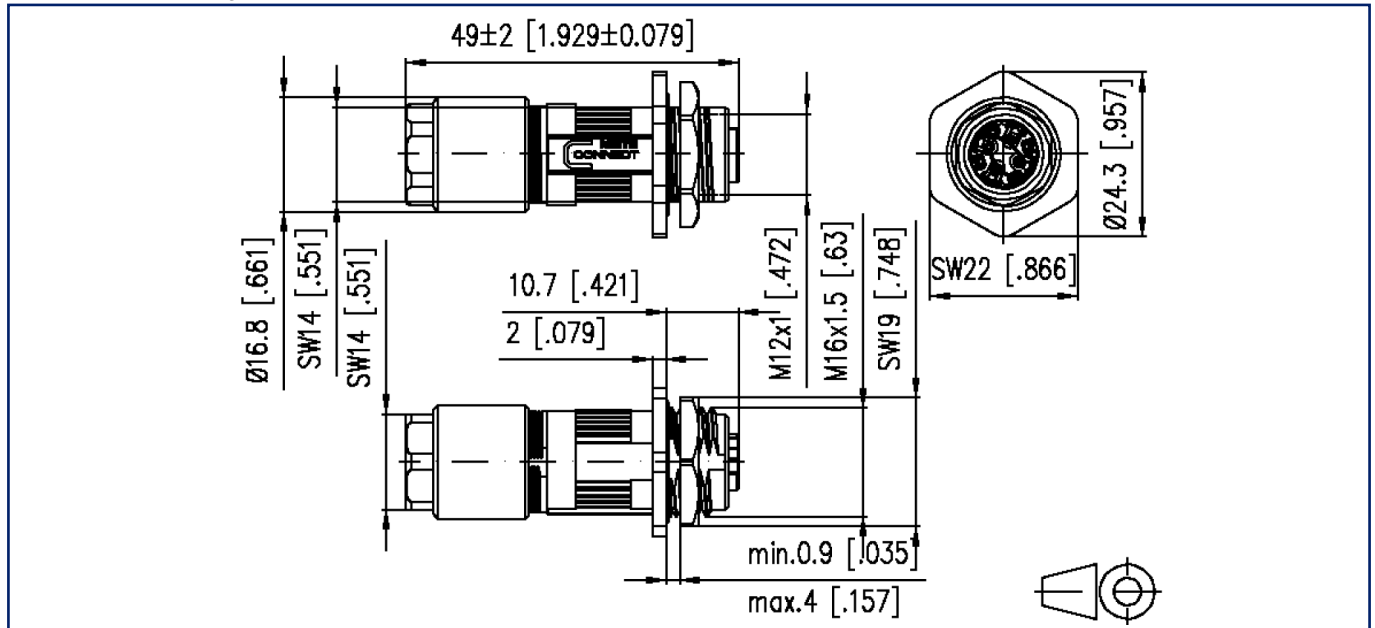
EAN 4251394672786

2026/05/20

Version: L

## Illustrations

Dimensional drawing



Wiring diagram

