

Data sheet
AJT0DA, C6 FTP, white

Technical Data

General Data	
Design	RJ45
Ports	Single port
Dimensions	
Dimension (L x W x H)	14.5 mm x 15 mm x 18 mm
Dimension (L x W x H)	0.571 in. x 0.591 in. x 0.709 in.
direction of connection of the cable to PCB	side entry
Mounting style	side entry
Position of latch	top
Number of contacts	8P/8C
Color	natural white
Shielding	yes
Protection category	IP 20
soldering method	THT
Material	
insulating material	PBT
Insulating material class	CTI 175
Insulation material colour	natural white
Contact material	CuSn
Contact surface	Ni + Au
Shield material	CuSn
Shield finish material	Sn
Special features	30 µ" Au
Climatic Data	
upper limit temperature	70 °C
lower limit temperature	-40 °C
Electrical characteristics	
Rated voltage	max. 50 V
Contact resistance	max. 20 mOhm
Insulation resistance	min. 500 MOhm
Current carrying capacity at 50 °C	1
Dielectric strength conductor-conductor (primarily)	max. 1000 V DC

Data sheet
AJT0DA, C6 FTP, white

Page 3/4

P/N
AJT0DA8813-52502025/08/27
Version: I

Technical Data

Electrical characteristics

Dielectric strength conductor-shield	max. 1500 V DC
--------------------------------------	----------------

Transmission characteristics

HF category	Cat.6
-------------	-------

Mechanical data

Insertion force	30 N
-----------------	------

Life - Number of mating cycles	>= 750
--------------------------------	--------

Standards and approvals

Standards	IEC 60603-7
-----------	-------------

Classifications

ETIM 7.0	EC002637
----------	----------

ETIM 8.0	EC002637
----------	----------

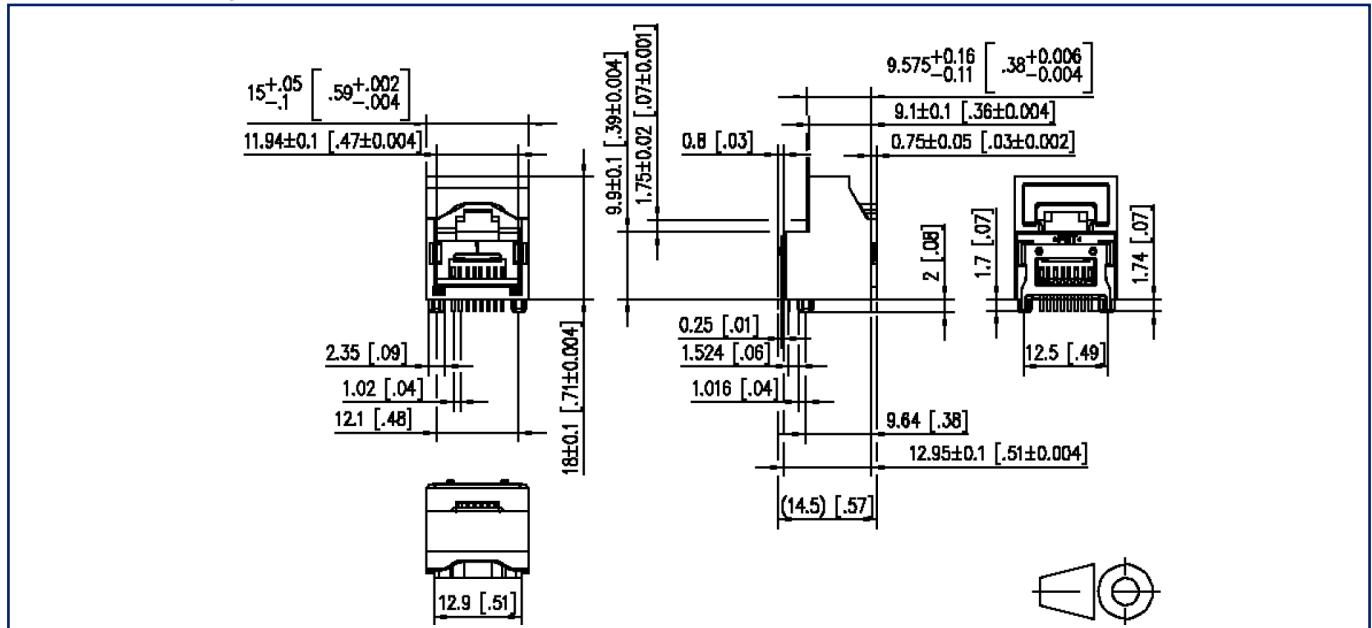
Application note

This product is a standard product of METZ CONNECT. METZ CONNECT is not aware of the specific intended use of the goods by the Customer or any customers of the Customer. The Customer guarantees that it has fully and sufficiently tested the use of the goods and any product modifications, product changes or product enhancements with regard to the specific intended use in accordance with the state of the art or in any other way. At METZ CONNECT's request, the Customer shall submit and make available meaningful evidence (e.g. test and laboratory protocols, certifications, etc.).



Illustrations

Dimensional drawing



Drill pattern

