

Data sheet

Central plate 50 x 50 mm 2 port, traffic white, E-DAT C6

Page 1/5

P/N
860023-27-I

EAN 4251394640198

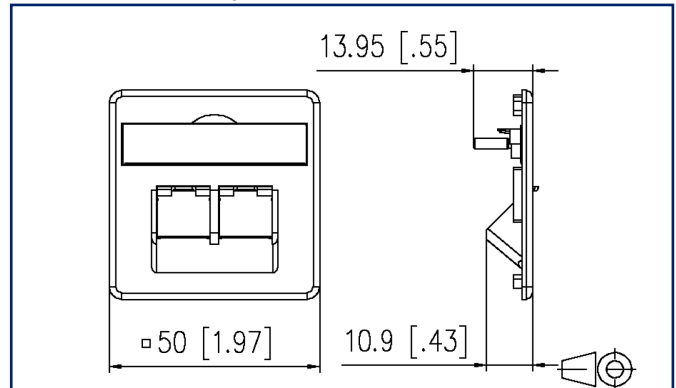
2025/06/06

Version: D

Illustrations



Dimensional drawing



See enlarged drawings at the end of document

Product specification

- 2 port, extension of UP0 wall outlets to UPk wall outlets
- suitable for E-DAT C6_A, E-DAT C6 and E-DAT design
- glossy surface
- with label window for enclosed identification labels
- label sheet 209 x 294 mm see accessory
- integrated dust protection covers (also colored)
- traffic white (RAL 9016), pure white (RAL 9010) or pearl white (RAL 1013)
- variants: traffic white, pure white, pearl white



Central plate 50 x 50 mm 2 port, traffic white, E-DAT C6

P/N

860023-27-I

EAN 4251394640198

2025/06/06

Version: D

Technical Data

General Data

Mechanical measurement according to MICE	M1
Ingress measurement according to MICE	I1
Climatic measurement according to MICE	C1
Electromagnetic measurement according to MICE	E3
Design	wall outlet
Color	traffic white RAL 9016
Dimensions	
Dimension (L x W x H)	50 mm x 50 mm x 13.95 mm
Dimension (L x W x H)	1.969 in. x 1.969 in. x 0.549 in.

Connections/interfaces

Number of ports interface 2	2
Number of ports interface 2 equipped	0

Materials and material properties

Material	ABS
Halogen free	yes
RoHS	compliant

Classifications

ETIM 7.0	EC001264
ETIM 8.0	EC001264
ETIM 9.0	EC001264

Application note

This product is a standard product of METZ CONNECT. METZ CONNECT is not aware of the specific intended use of the goods by the Customer or any customers of the Customer. The Customer guarantees that it has fully and sufficiently tested the use of the goods and any product modifications, product changes or product enhancements with regard to the specific intended use in accordance with the state of the art or in any other way. At METZ CONNECT's request, the Customer shall submit and make available meaningful evidence (e.g. test and laboratory protocols, certifications, etc.).



Data sheet

Page 3/5

Central plate 50 x 50 mm 2 port, traffic white, E-DAT C6

P/N

860023-27-I

EAN 4251394640198

2025/06/06

Version: D

Accessories

P/N	Designation
820394-0105-I	Dust protection covers for wall outlets yellow
820394-0106-I	Dust protection covers for wall outlets blue
820394-0107-I	Dust protection covers for wall outlets green
820394-0108-I	Dust protection covers for wall outlets red
899650-01	Label sheet for wall outlets

Data sheet

Page 4/5

Central plate 50 x 50 mm 2 port, traffic white, E-DAT C6

P/N

860023-27-I

EAN 4251394640198

2025/06/06

Version: D

Accessories from

P/N	Designation
1307381200-I	E-DAT C6 2 port flush mounted without cover
1307441200-I	E-DAT design 2 port flush mounted without cover Cat.6
130C381200-I	E-DAT C6 _A 2 port flush mounted without cover

Data sheet

Page 5/5

Central plate 50 x 50 mm 2 port, traffic white, E-DAT C6

P/N

860023-27-I

EAN 4251394640198

2025/06/06

Version: D

Illustrations

Dimensional drawing

