

Data sheet

Dust protection covers for wall outlets yellow

Page 1/8

P/N

820394-0105-I

EAN 4250184110620

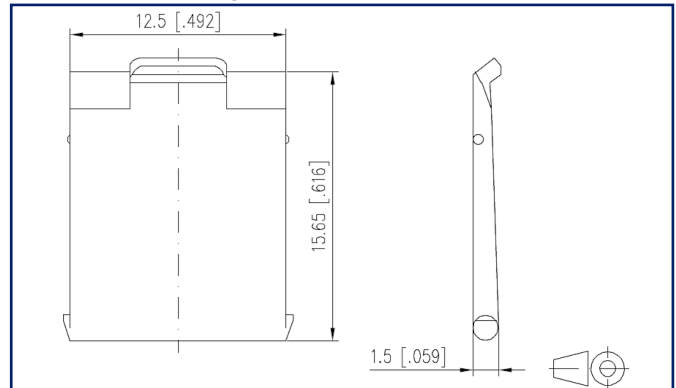
2025/09/18

Version: O

Illustrations



Dimensional drawing



See enlarged drawings at the end of document

Product specification

- for color service coding of wall outlets
- suitable for wall outlets: C6_Amodul, E-DAT C6_A, E-DAT modul, E-DAT C6 and E-DAT design
- variants: yellow, blue, green, red



Dust protection covers for wall outlets yellow

P/N

820394-0105-I

EAN 4250184110620

2025/09/18

Version: O

Technical Data

General Data

Mechanical measurement according to MICE	M1
Ingress measurement according to MICE	I1
Climatic measurement according to MICE	C1
Electromagnetic measurement according to MICE	E3
Design	Dust protection
Mounting style	Accessories
Color	yellow
Dimensions	
Dimension (L x W x H)	15.65 mm x 12.5 mm x 1.5 mm
Dimension (L x W x H)	0.616 in. x 0.492 in. x 0.059 in.

Materials and material properties

Material	ABS
Halogen free	yes
RoHS	compliant

Classifications

ETIM 7.0	EC000723
ETIM 8.0	EC000723
ETIM 9.0	EC000723
ETIM 10.0	EC000723

Packing details

Type of packaging	10 pc(s) / plastic bag
-------------------	------------------------

Application note

This product is a standard product of METZ CONNECT. METZ CONNECT is not aware of the specific intended use of the goods by the Customer or any customers of the Customer. The Customer guarantees that it has fully and sufficiently tested the use of the goods and any product modifications, product changes or product enhancements with regard to the specific intended use in accordance with the state of the art or in any other way. At METZ CONNECT's request, the Customer shall submit and make available meaningful evidence (e.g. test and laboratory protocols, certifications, etc.).



Dust protection covers for wall outlets yellow

P/N

820394-0105-I

EAN 4250184110620

2025/09/18

Version: O

Accessories from

P/N	Designation
1307370001-I	E-DAT C6 1 port AP pearl white
1307370002-I	E-DAT C6 1 port AP pure white
1307371001-I	E-DAT C6 1 port UP pearl white
1307371002-I	E-DAT C6 1 port UP pure white
1307371101-I	E-DAT C6 1 port UPk pearl white
1307371102-I	E-DAT C6 1 port flush mounted trunking installation pure white
1307371200-I	E-DAT C6 1 port flush mounted without cover
1307380001-I	E-DAT C6 2 port AP pearl white
1307380002-I	E-DAT C6 2 port AP pure white
1307381001-I	E-DAT C6 2 port UP pearl white
1307381002-I	E-DAT C6 2 port UP pure white
1307381101-I	E-DAT C6 2 port UPk pearl white
1307381102-I	E-DAT C6 2 port flush mounted trunking installation pure white
1307381200-I	E-DAT C6 2 port flush mounted without cover
1309110001-E	E-DAT modul 1 port AP Cat.6 _A , pearl white
1309110002-E	E-DAT modul 1 port AP Cat.6 _A , pure white
1309111001-E	E-DAT modul 1 port UP Cat.6 _A , pearl white
1309111002-E	E-DAT modul 1 port UP Cat.6 _A , pure white
1309111101-E	E-DAT modul 1 port UPk Cat.6 _A , pearl white
1309111102-E	E-DAT modul 1 port flush mounted trunking installation Cat.6 _A , pure white
1309120001-E	E-DAT modul 2 port AP Cat.6 _A , pearl white
1309120002-E	E-DAT modul 2 port AP Cat.6 _A , pure white
1309121001-E	E-DAT modul 2 port UP Cat.6 _A , pearl white
1309121002-E	E-DAT modul 2 port UP Cat.6 _A , pure white
1309121101-E	E-DAT modul 2 port UPk Cat.6 _A , pearl white
1309121102-E	E-DAT modul 2 port flush mounted trunking installation Cat.6 _A , pure white
1309130001-E	E-DAT modul 3 port AP Cat.6 _A , pearl white
1309130002-E	E-DAT modul 3 port AP Cat.6 _A , pure white
1309131001-E	E-DAT modul 3 port UP Cat.6 _A , pearl white
1309131002-E	E-DAT modul 3 port UP Cat.6 _A , pure white

Dust protection covers for wall outlets yellow

P/N

820394-0105-I

EAN 4250184110620

2025/09/18

Version: O

Accessories from

1309131101-E	E-DAT modul 3 port UPk Cat.6 _A , pearl white
1309131102-E	E-DAT modul 3 port flush mounted trunking installation Cat.6 _A , pure white
1309140001-E	Modul wall outlet AP 1 port pearl white unequipped
1309140002-E	Modul wall outlet surface mounted 1 port unequipped pure white
1309141001-E	Modul wall outlet UP 1 port pearl white unequipped
1309141002-E	Modul wall outlet flush mounted 1 port unequipped pure white
1309141101-E	Modul wall outlet UPk 1 port pearl white unequipped
1309141102-E	Modul wall outlet flush mounted trunking installation 1 port unequipped pure white
1309150001-E	Modul wall outlet AP 2 port pearl white unequipped
1309150002-E	Modul wall outlet surface mounted 2 port unequipped pure white
1309151001-E	Modul wall outlet UP 2 port pearl white unequipped
1309151002-E	Modul wall outlet flush mounted 2 port unequipped pure white
1309151101-E	Modul wall outlet UPk 2 port pearl white unequipped
1309151102-E	Modul wall outlet flush mounted trunking installation 2 port unequipped pure white
1309151200-E	Modul wall outlet flush mounted without cover 2 port unequipped
1309160001-E	Modul wall outlet AP 3 port pearl white unequipped
1309160002-E	Modul wall outlet surface mounted 3 port unequipped pure white
1309161001-E	Modul wall outlet UP 3 port pearl white unequipped
1309161002-E	Modul wall outlet flush mounted 3 port unequipped pure white
1309161101-E	Modul wall outlet UPk 3 port pearl white unequipped
1309161102-E	Modul wall outlet flush mounted trunking installation 3 port unequipped pure white
130B10D10002-E	Modul wall outlet surface mounted 1 port unequipped pure white 43 mm
130B10D20002-E	Modul wall outlet surface mounted 2 port unequipped pure white 43 mm
130B10D30002-E	Modul wall outlet surface mounted 3 port unequipped pure white 43 mm
130B11D10002-E	C6 _A modul 1 port 180°M AP pure white
130B11D11002-E	C6 _A modul 1 port 180°M UP pure white

Dust protection covers for wall outlets yellow

P/N

820394-0105-I

EAN 4250184110620

2025/09/18

Version: O

Accessories from

130B11D11102-E	C6 _A modul 1 port 180°M flush mounted trunking installation pure white
130B11D20002-E	C6 _A modul 2 port 180°M AP pure white
130B11D21002-E	C6 _A modul 2 port 180°M UP pure white
130B11D21102-E	C6 _A modul 2 port 180°M flush mounted trunking installation pure white
130B11D30002-E	C6 _A modul 3 port 180°M AP pure white
130B11D31002-E	C6 _A modul 3 port 180°M UP pure white
130B11D31102-E	C6 _A modul 3 port 180°M flush mounted trunking installation pure white
130B12D10002-E	C6 _A modul 1 port 270°M AP pure white
130B12D11002-E	C6 _A modul 1 port 270°M UP pure white
130B12D11102-E	C6 _A modul 1 port 270°M flush mounted trunking installation pure white
130B12D20002-E	C6 _A modul 2 port 270°M AP pure white
130B12D21002-E	C6 _A modul 2 port 270°M UP pure white
130B12D21102-E	C6 _A modul 2 port 270°M flush mounted trunking installation pure white
130B12D30002-E	C6 _A modul 3 port 270°M AP pure white
130B12D31002-E	C6 _A modul 3 port 270°M UP pure white
130B12D31102-E	C6 _A modul 3 port 270°M flush mounted trunking installation pure white
130B20D10002KE	Keystone wall outlet surface mounted 1 port unequipped pure white
130B20D11002KE	Keystone wall outlet flush mounted 1 port unequipped pure white
130B20D11102KE	Keystone wall outlet flush mounted trunking installation 1 port unequipped pure white
130B20D20002KE	Keystone wall outlet surface mounted 2 port unequipped pure white
130B20D21002KE	Keystone wall outlet flush mounted 2 port unequipped pure white
130B20D21102KE	Keystone wall outlet flush mounted trunking installation 2 port unequipped pure white
130B20D30002KE	Keystone wall outlet surface mounted 3 port unequipped pure white
130B20D31002KE	Keystone wall outlet flush mounted 3 port unequipped pure white
130B20D31102KE	Keystone wall outlet flush mounted trunking installation 3 port unequipped pure white
130C370001-I	E-DAT C6 _A 1 port AP pearl white

Dust protection covers for wall outlets yellow

P/N

820394-0105-I

EAN 4250184110620

2025/09/18

Version: O

Accessories from

130C370002-I	E-DAT C6 _A 1 port AP pure white
130C371001-I	E-DAT C6 _A 1 port UP pearl white
130C371002-I	E-DAT C6 _A 1 port UP pure white
130C371101-I	E-DAT C6 _A 1 port UPk pearl white
130C371102-I	E-DAT C6 _A 1 port flush mounted trunking installation pure white
130C371200-I	E-DAT C6 _A 1 port flush mounted without cover
130C380001-I	E-DAT C6 _A 2 port AP pearl white
130C380002-I	E-DAT C6 _A 2 port AP pure white
130C381001-I	E-DAT C6 _A 2 port UP pearl white
130C381002-I	E-DAT C6 _A 2 port UP pure white
130C381101-I	E-DAT C6 _A 2 port UPk pearl white
130C381102-I	E-DAT C6 _A 2 Port flush mounted trunking installation pure white
130C381200-I	E-DAT C6 _A 2 port flush mounted without cover
130D370002-I	E-DAT C6 _A IDC 1 Port AP pure white
130D370027-I	E-DAT C6 _A IDC 1 Port AP traffic white
130D371002-I	E-DAT C6 _A IDC 1 Port UP pure white
130D371027-I	E-DAT C6 _A IDC 1 Port UP traffic white
130D371102-I	E-DAT C6 _A IDC 1 Port UPk pure white
130D371127-I	E-DAT C6 _A IDC 1 Port UPk traffic white
130D371200-I	E-DAT C6 _A IDC 1 Port UP0 metallike
130D380002-I	E-DAT C6 _A IDC 2 Port AP pure white
130D380027-I	E-DAT C6 _A IDC 2 Port AP traffic white
130D381002-I	E-DAT C6 _A IDC 2 Port UP pure white
130D381027-I	E-DAT C6 _A IDC 2 Port UP traffic white
130D381102-I	E-DAT C6 _A IDC 2 Port UPk pure white
130D381127-I	E-DAT C6 _A IDC 2 Port UPk traffic white
130D381200-I	E-DAT C6 _A IDC 2 Port UP0 metallike
130E370002-I	E-DAT C6 _A LSA++ 1 Port AP pure white
130E370027-I	E-DAT C6 _A LSA++ 1 Port AP traffic white
130E371002-I	E-DAT C6 _A LSA++ 1 Port UP pure white
130E371027-I	E-DAT C6 _A LSA++ 1 Port UP traffic white
130E371102-I	E-DAT C6 _A LSA++ 1 Port UPk pure white
130E371127-I	E-DAT C6 _A LSA++ 1 Port UPk traffic white



Dust protection covers for wall outlets yellow

P/N

820394-0105-I

EAN 4250184110620

2025/09/18

Version: O

Accessories from

130E371200-I	E-DAT C6 _A LSA++ 1 Port UP0 metallike
130E380002-I	E-DAT C6 _A LSA++ 2 Port AP pure white
130E380027-I	E-DAT C6 _A LSA++ 2 Port AP traffic white
130E381002-I	E-DAT C6 _A LSA++ 2 Port UP pure white
130E381027-I	E-DAT C6 _A LSA++ 2 Port UP traffic white
130E381102-I	E-DAT C6 _A LSA++ 2 Port UPk pure white
130E381127-I	E-DAT C6 _A LSA++ 2 Port UPk traffic white
130E381200-I	E-DAT C6 _A LSA++ 2 Port UP0 metallike
860023-02-I	Central plate 50 x 50 mm 2 port, pure white, E-DAT C6
860023-27-I	Central plate 50 x 50 mm 2 port, traffic white, E-DAT C6
860023-I	Central plate 50 x 50 mm 2 port, pearl white, E-DAT C6
860056-02-I	Central plate 50 x 50 mm 1 port, pure white, E-DAT C6
860056-27-I	Central plate 50 x 50 mm 1 port, traffic white, E-DAT C6
860056-I	Central plate 50 x 50 mm 1 port, pearl white, E-DAT C6
860210-0002-I	Central plate 50 x 50 mm 1 port, pure white, modul
860210-0202-I	Central plate 50 x 50 mm 2 port, pure white, modul
860210-0227-I	Central plate 50 x 50 mm 2 port, traffic white, modul
860210-02-I	Central plate 50 x 50 mm 2 port, pearl white, modul
860210-0402-I	Central plate 50 x 50 mm 3 port, pure white, modul
860210-0427-I	Central plate 50 x 50 mm 3 port, traffic white, modul
860210-04-I	Central plate 50 x 50 mm 3 port, pearl white, modul
860210-27-I	Central plate 50 x 50 mm 1 port, traffic white, modul
860210-I	Central plate 50 x 50 mm 1 port, pearl white, modul



Data sheet

Page 8/8

Dust protection covers for wall outlets yellow

P/N

820394-0105-I

EAN 4250184110620

2025/09/18

Version: O

Illustrations

Dimensional drawing

