

Data sheet

PR07504HBER Type 338

Page 1/7

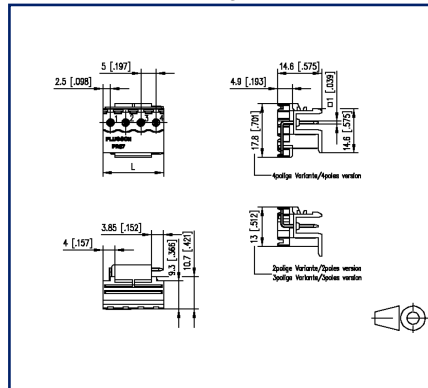
P/N
3133810457

2026/04/27

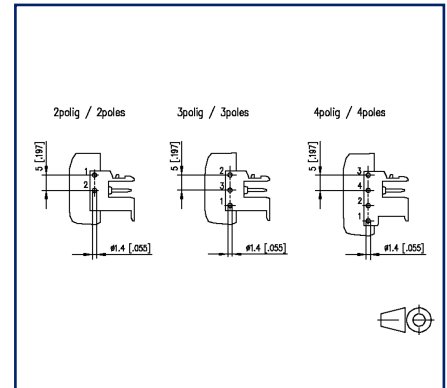
Illustrations



Dimensional drawing as an example



Drill pattern as an example



See enlarged drawings at the end of document

Product specification



- pin header, THR solderable
- centerline 5.00 mm, direction of connection 90°
- open ends, fittable without loss of poles
- color black
- Tape & Reel packaging possible
- codeable, connection right side, pluggable for module housing

Technical Data

General Data

Solder pin length	3.85 mm		
pole size	4		
Insulating material class	CTI 600		
clearance/creepage dist.	3.2 mm		
Protection category	IP00		
Rated current	12 A		
Overvoltage category	III	III	II
Pollution degree	3	2	2
Rated voltage	250 V	630 V	630 V
Rated test voltage	4 kV	4 kV	4 kV

Approvals

 V / A	300 / 17
approval UL - File No.	E121004
	250 V / 4 kV / 12 A / 1.0 x 1.0 mm

Material

insulating material	PA66/6T
flammability class	V0
contact pin material	CuZn
contact pin surface	Ni + Sn
Glow-Wire Flammability GWFI	960 °C acc. to IEC 60695-2-12
Glow-Wire Flammability GWIT	775 °C acc. to IEC 60695-2-13
Ball pressure test	125 °C acc. to IEC 60695-10-2

Climatic Data

upper limit temperature	125 °C
lower limit temperature	-40 °C

general

Tolerance	ISO 2768 -cH
Solderability	reflowable

Application note

Data sheet

Page 3/7

PR07504HBER Type 338

P/N
3133810457

2026/04/27

Technical Data

This product is a standard product of METZ CONNECT. METZ CONNECT is not aware of the specific intended use of the goods by the Customer or any customers of the Customer. The Customer guarantees that it has fully and sufficiently tested the use of the goods and any product modifications, product changes or product enhancements with regard to the specific intended use in accordance with the state of the art or in any other way. At METZ CONNECT's request, the Customer shall submit and make available meaningful evidence (e.g. test and laboratory protocols, certifications, etc.).



Data sheet
PR07504HBER Type 338

Page 4/7

P/N
3133810457

2026/04/27

Accessories

P/N	Designation
700024-01-5	Kodierstern blau F_Kodier_blp
700024-0179	F_Kodier_blp
700024-0183	F_Kodier_wsc
700024-01-9	Coding star white
700024-02-8	F_Kodier_rtf
700024-0282	F_Kodier_rtf
700523-0157	Geh_Kappe_swg_Block
700523-01C8	Geh_Kappe_grl_Block



Data sheet
PR07504HBER Type 338

Page 5/7

P/N
3133810457

2026/04/27

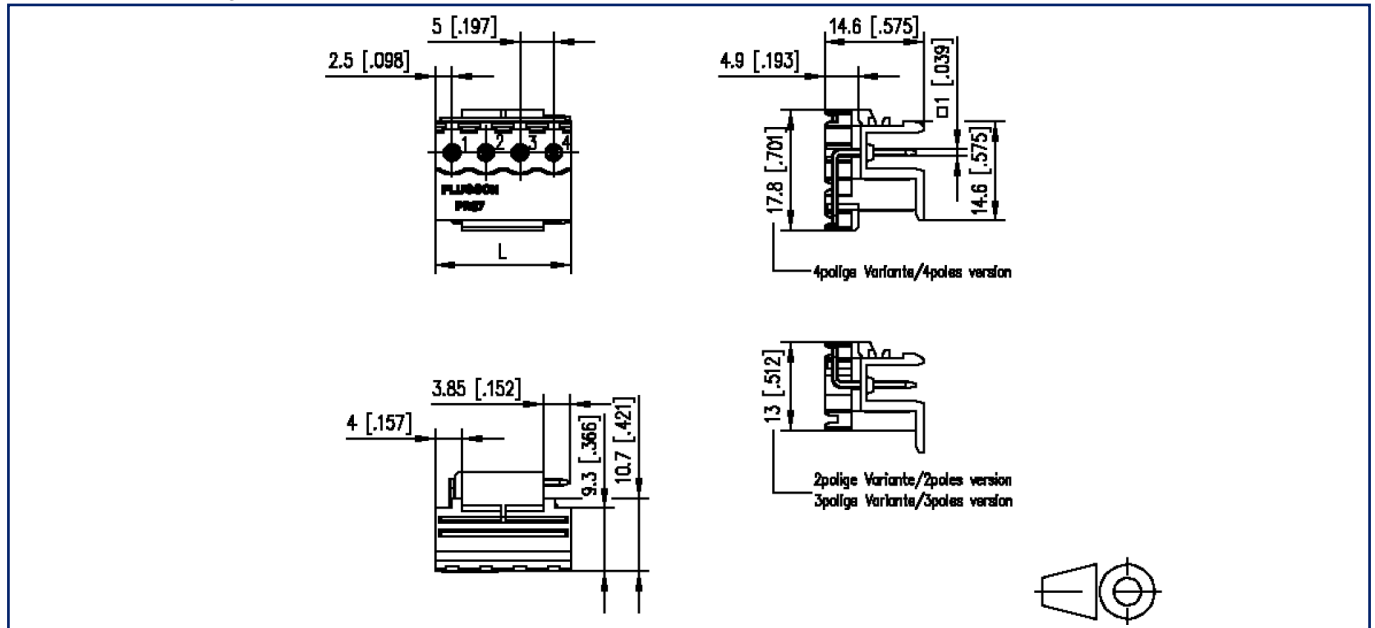
Counterpart of

P/N	Designation
31348104	RP08504VBLC (Type 348), 4-pole
ASP0450422	SP04504VBNC ASP045



Illustrations

Dimensional drawing as an example



$L = (\text{pole size} - 1) \times \text{centerline} + 5 \text{ mm } [0.197]$



Illustrations

Drill pattern as an example

