

# Data sheet

## FT143xxVBFC Type 089

Page 1/6

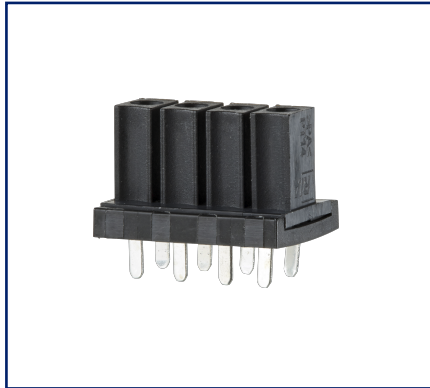
P/N  
310891xx

xx=number of poles

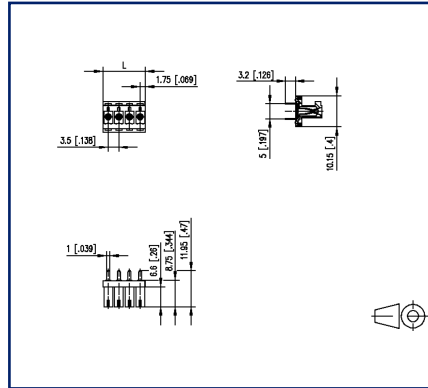
2025/08/21

Version: AB

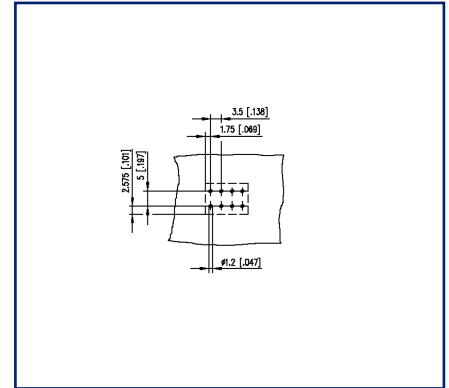
### Illustrations



Dimensional drawing as an example



Drill pattern as an example



See enlarged drawings at the end of document

### Product specification

- female connector, solderable, double solder pins
- centerline 3.50 mm, direction of connection vertical 0°
- fittable without loss of poles
- color black
- board-to-board connection with headers centerline 3.50 mm / 0.138 inches possible



**Data sheet**  
**FT143xxVBFC Type 089**


**P/N**  
**310891xx**  
**xx=number of poles**  
2025/08/21  
Version: AB

**Technical Data**

**General Data**

Solder pin length	3.2 mm		
min. number of poles	2		
max. number of poles	4		
Insulating material class	CTI 600		
clearance/creepage dist.	2.5 mm		
Protection category	IP20		
Rated current	10 A		
Overvoltage category	III	III	II
Pollution degree	3	2	2
Rated voltage	200 V	500 V	500 V
Rated test voltage	4 kV	4 kV	4 kV

**Approvals**

 /	300 V / 10 A
---	--------------

approval UL - File No.	E305050
------------------------	---------

	130 V / 2.5 kV / 10 A
---	-----------------------

**Material**

insulating material	PA66
flammability class	V0
contact material	CuSn
Contact surface	Sn
Glow-Wire Flammability GWFI	960 °C acc. to IEC 60695-2-12
Glow-Wire Flammability GWIT	775 °C acc. to IEC 60695-2-13

**Climatic Data**

upper limit temperature	105 °C
lower limit temperature	-40 °C

**general**

Tolerance	ISO 2768 -mH
Solderability	Acc. to JEDEC JESD22-B102E 245°C/5s

**Application note**

Data sheet

Page 3/6

FT143xxVBFC Type 089

P/N

310891xx

xx=number of poles

2025/08/21

Version: AB

## Technical Data

This product is a standard product of METZ CONNECT. METZ CONNECT is not aware of the specific intended use of the goods by the Customer or any customers of the Customer. The Customer guarantees that it has fully and sufficiently tested the use of the goods and any product modifications, product changes or product enhancements with regard to the specific intended use in accordance with the state of the art or in any other way. At METZ CONNECT's request, the Customer shall submit and make available meaningful evidence (e.g. test and laboratory protocols, certifications, etc.).



Data sheet

Page 4/6

**FT143xxVBFC Type 089**

P/N

**310891xx****xx=number of poles**

2025/08/21

Version: AB

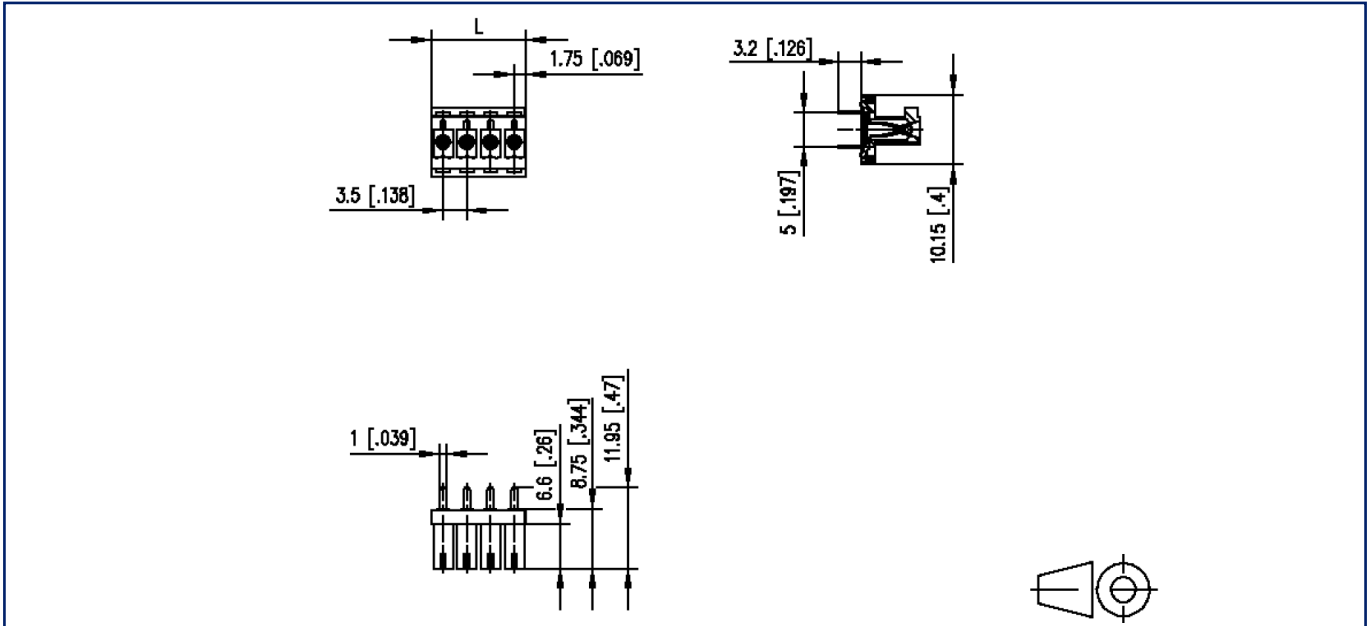
**Counterpart**

P/N	Designation
311881	PR043xxHBBN Type 188
311891	PR043xxVBBN Type 189
313421	PT093xxHBBN Type 342
313431	PT093xxVBBN Type 343



## Illustrations

Dimensional drawing as an example



$L = (\text{pole size} - 1) \times \text{centerline} + 3.5 \text{ mm } [0.138]$



Data sheet  
**FT143xxVBFC Type 089**

Page 6/6

P/N  
**310891xx**  
xx=number of poles  
2025/08/21  
Version: AB

**Illustrations**

Drill pattern as an example

