

# Data sheet

## OpDAT wire Fanout MTP-M/8xE2000-S OM4 0.3 m

Page 1/4

P/N

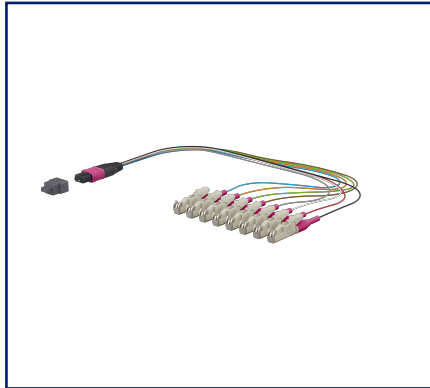
151S48MMO003A

EAN 4251394671987

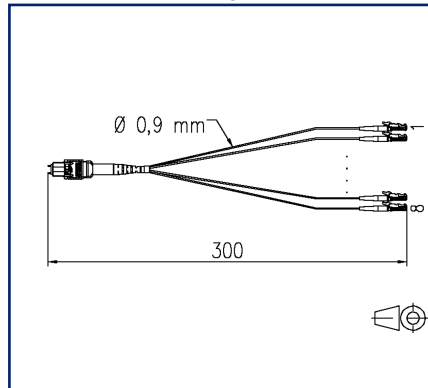
2025/07/02

Version: C

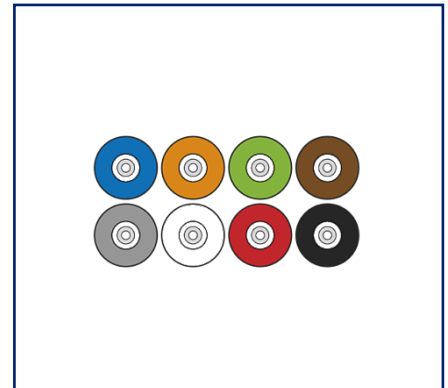
### Illustrations



Dimensional drawing



Prinzbild



See enlarged drawings at the end of document

### Product specification

- Wire fanout with 8 OM4 fibres, assembled with one MPO/MTP® connector and 8 E2000 simplex connectors.
- Male connector (with pins) as standard. Variants with female connector (without pins) are possible.
- available in assignment variants polarity A
- suitable for transmissions of e.g. 100 Gbit/s (depending on transceiver technology)
- wire diameter  $\varnothing$  0.9 mm, color-coded according to TIA/EIA 598
- Fibre type: Bend insensitive multimode fibre, G50/125  $\mu$ m, OM4 (IEC 11801), IEC 60793-2-10 A1a.3, ITU-T G.651.1.
- 100 % tested for insertion loss, return loss and end face geometry
- all patch cords are provided with serial number, barcode and measurement protocol
- all available variants can be created with the MTP® configurator
- MTP® is a registered trademark of US Conec Ltd., USA



# OpDAT wire Fanout MTP-M/8xE2000-S OM4 0.3 m

P/N

151S48MMO003A

EAN 4251394671987

2025/07/02

Version: C

## Technical Data

### General Data

Fields of application	data center structured building cabling
Design	Wire Fanout
Transmission technology	Fiber optic
Wiring	Polarity A
Color	violet
Color coding fiber/ wire(s)	EIA/TIA 598
Mode type of the fiber	Multimode
Fiber class	OM4
Cable Type	Wire Fanout
Number of cables/ buffered fibers	8
Fiber construction	50/125 µm
Cable length (m)	0.3 m

### Connections/interfaces

Connector technology interface 1	MPO/MTP®
Connector technology interface 2	E2000
Core-/ Fiber cladding diameter	900

### Optical characteristics

Insertion loss	max. 0,35 dB
Return loss	min. 35 dB

### Materials and material properties

RoHS	compliant
------	-----------

### Standards/Regulations

Generic cabling systems	
General requirements	ISO/IEC 11801 cat. OM4
Fibre optic connector interfaces	IEC 61754-7



Data sheet

Page 3/4

**OpDAT wire Fanout MTP-M/8xE2000-S OM4 0.3 m**

P/N

151S48MMO003A

EAN 4251394671987

2025/07/02

Version: C

**Technical Data****Classifications**

ETIM 7.0	EC000748
ETIM 8.0	EC000748
ETIM 9.0	EC000748
ETIM 10.0	EC000748

**Packing details**

Type of packaging 1 pc(s) / plastic bag

**Application note**

This product is a standard product of METZ CONNECT. METZ CONNECT is not aware of the specific intended use of the goods by the Customer or any customers of the Customer. The Customer guarantees that it has fully and sufficiently tested the use of the goods and any product modifications, product changes or product enhancements with regard to the specific intended use in accordance with the state of the art or in any other way. At METZ CONNECT's request, the Customer shall submit and make available meaningful evidence (e.g. test and laboratory protocols, certifications, etc.).



**OpDAT wire Fanout MTP-M/8xE2000-S OM4 0.3 m**

P/N

151S48MMO003A

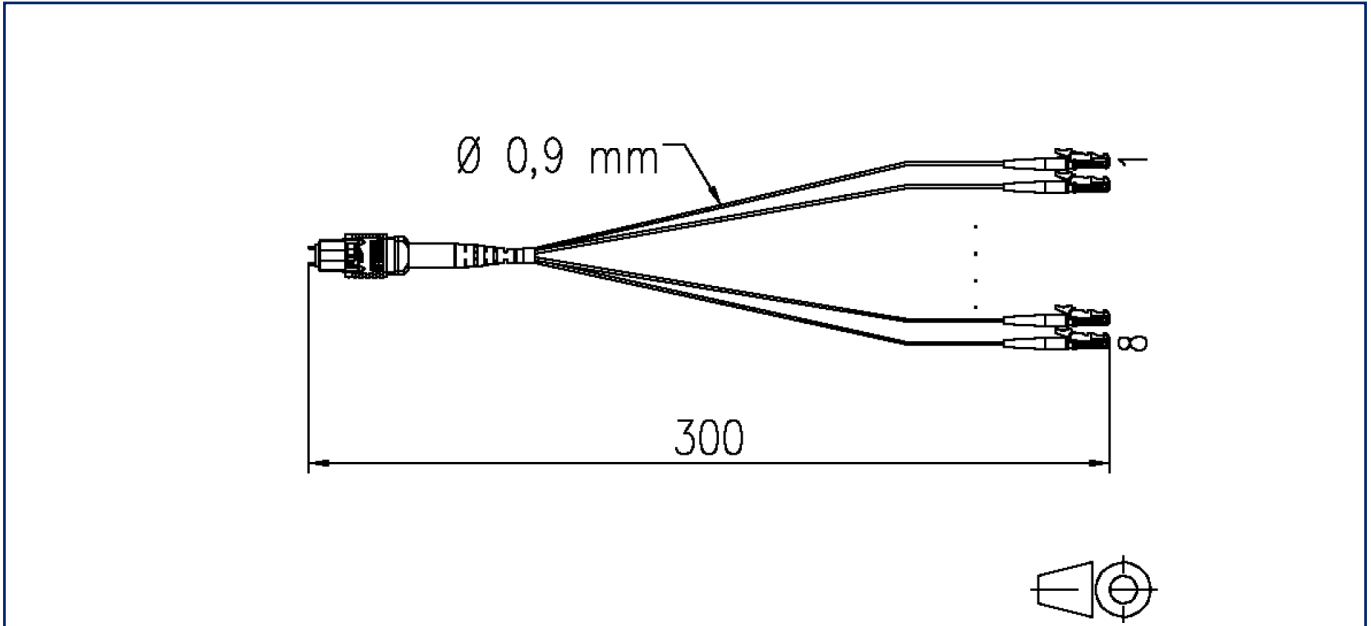
EAN 4251394671987

2025/07/02

Version: C

**Illustrations**

Dimensional drawing



Prinzipbild

