

Data sheet

OpDAT patch cord E2000-D APC/E2000-D APC OS2

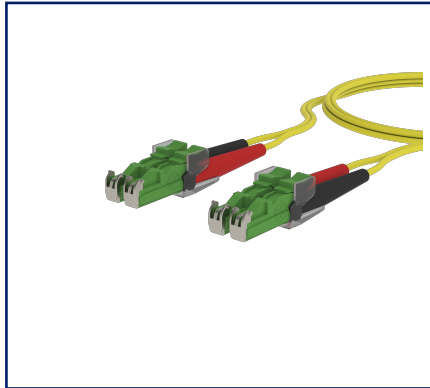
Page 1/5

P/N
151P1MAMAXXE

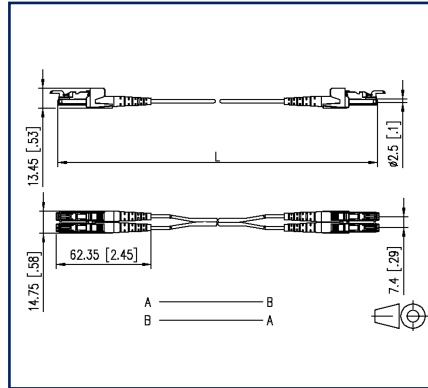
2026/01/27

Version: BH

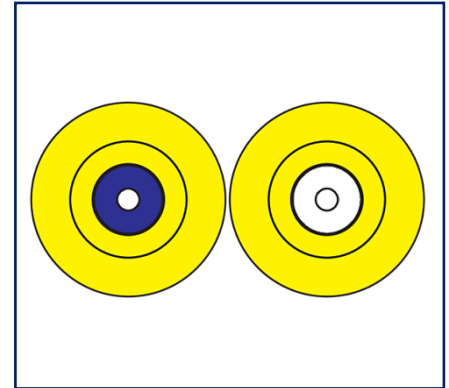
Illustrations



Dimensional drawing



Principle diagram



See enlarged drawings at the end of document

Product specification

- single mode patch cord I-V(ZN)H E9/125 OS2
- single mode fiber OS2, E9/125 μm , bend insensitive according to IEC 60793-2-50 type B6_a and B6_b and G.657.A2 and B2, compatible to G.652.D
- outer diameter 2.0 x 4.2 mm
- halogen-free LSHF-FR sheath with low smoke development, flame retardant
- duplex cord as zip-cord (figure 8) with two tight buffered fibers and aramide strain relief
- 100 % tested
- all available variants can be created with the cable configurator



Technical Data

General Data

| | |
|---|-----------------------------------|
| Fields of application | office areas data center |
| Mechanical measurement according to MICE | M1 |
| Ingress measurement according to MICE | I1 |
| Climatic measurement according to MICE | C1 |
| Electromagnetic measurement according to MICE | E3 |
| Design | patch cord |
| Transmission technology | Fiber optic |
| Wiring | crossed |
| Color | yellow |
| Dimensions | |
| Dimension - Interface 1 (L x W x H) | 62.3 mm x 6.7 mm x 12.1 mm |
| Dimension - Interface 1 (L x W x H) | 2.453 in. x 0.264 in. x 0.476 in. |
| Dimension - Interface 2 (L x W x H) | 62.3 mm x 6.7 mm x 12.1 mm |
| Dimension - Interface 2 (L x W x H) | 2.453 in. x 0.264 in. x 0.476 in. |
| Mode type of the fiber | Singlemode |
| Fiber class | OS2 |
| Cable Type | Duplex cable |
| Number of cables/ buffered fibers | 2 |
| Shape | APC (Angled Physical Contact) |
| Fiber construction | 9/125 µm |
| Weight | 4.5 kg/km |

Connections/interfaces

| | |
|----------------------------------|-----------|
| Connector technology interface 1 | E2000-D |
| Connector technology interface 2 | E2000-D |
| Ferrule diameter | 2.5 mm |
| Ferrule diameter | 0.098 in. |

Technical Data

Optical characteristics

| | |
|----------------|-------------|
| Insertion loss | max. 0,3 dB |
| Return loss | min. 65 dB |

Mechanical data

| | |
|---------------------------|----------------|
| strain relief | aramide fibres |
| Maximum installation load | 15 mm |
| Maximum installation load | 0.591 in. |

Materials and material properties

| | |
|--------------------|-----------|
| Bend insensitivity | yes |
| Flame retardancy | yes |
| Halogen free | yes |
| RoHS | compliant |

Environmental conditions

| | |
|-------------------------------|----------------|
| Temperature (min. - max.) | |
| Temperature - Storage °C | -10 °C - 60 °C |
| Temperature - Storage °F | 14 °F - 140 °F |
| Temperature - Operating °C | -10 °C - 60 °C |
| Temperature - Operating °F | 14 °F - 140 °F |
| Temperature - Installation °C | -10 °C - 60 °C |
| Temperature - Installation °F | 14 °F - 140 °F |

Standards/Regulations

| | |
|--|-----------------------------------|
| Generic cabling systems | |
| General requirements | ISO/IEC 11801 |
| Fibre optic connector interfaces | IEC 61754-15 |
| Optical fibers: Indoor optical cables | |
| Sectional specification for class B single-mode fibres | ISO/IEC 60793-2-50 type B6_a/B6_b |
| Optical fibers - Interconnecting devices and passive components - basic test and measuring methods | |
| Fibre optic interconnecting devices and passive components - Visual inspection of plug end face | IEC 61300-3-4 IEC 61300-3-6 |

Technical Data

Standards/Regulations

Test on gases evolved during combustion of materials from cables

| | |
|---|-------------|
| Determination of acidity (by measuring the pH value) and conductivity | IEC 60754-2 |
|---|-------------|

Tests on electric and optical fibre cables under fire conditions

| | |
|--|-------------|
| Test for vertical flame propagation for a single insulated wire or cable | IEC 60332-1 |
|--|-------------|

| | |
|--|--------------------|
| Test for vertical flame spread of vertically-mounted bunched wires or cables | ISO/IEC 60332-3-24 |
|--|--------------------|

| | |
|--|---------------|
| Measurement of smoke density of cables burning | ISO/IEC 61034 |
|--|---------------|

| | |
|----------------|--|
| ITU-T standard | ITU-T G.657.A2 and G.657.B2, compatible with ITU-T G.652.D |
|----------------|--|

Classifications

| | |
|----------|----------|
| ETIM 7.0 | EC001263 |
|----------|----------|

| | |
|----------|----------|
| ETIM 8.0 | EC001263 |
|----------|----------|

Packing details

| | |
|-------------------|-----------------------|
| Type of packaging | 1 pc(s) / plastic bag |
|-------------------|-----------------------|

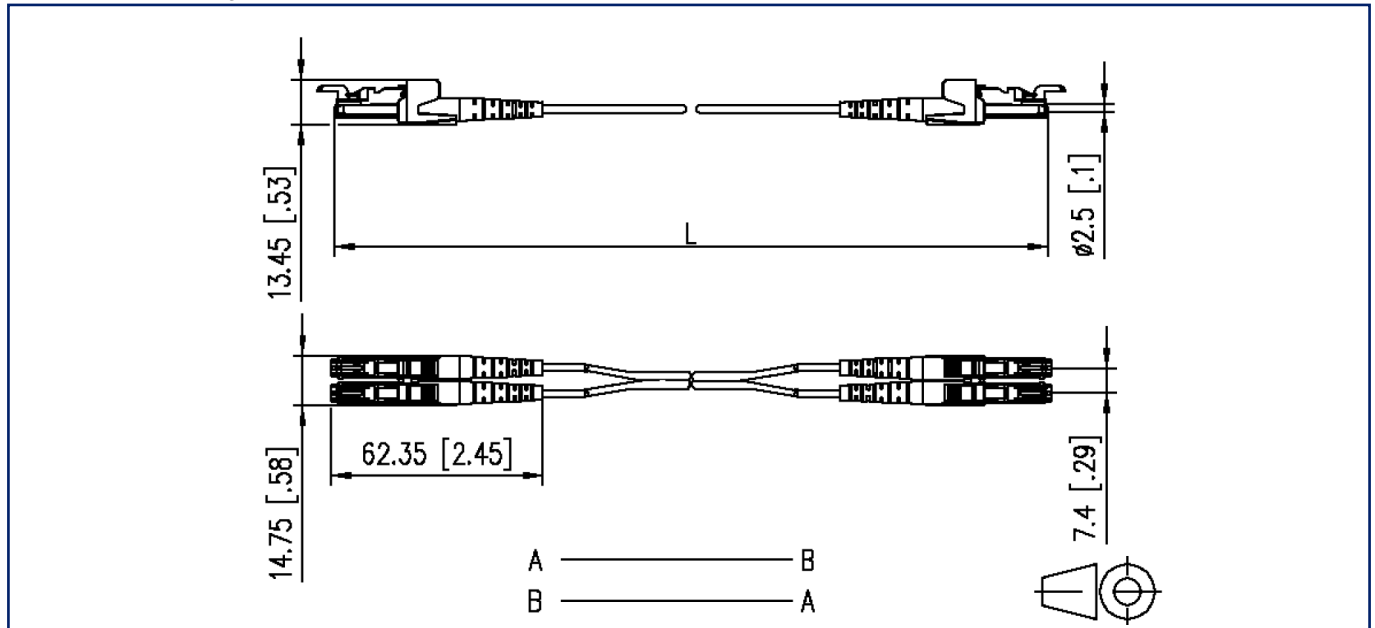
Application note

This product is a standard product of METZ CONNECT. METZ CONNECT is not aware of the specific intended use of the goods by the Customer or any customers of the Customer. The Customer guarantees that it has fully and sufficiently tested the use of the goods and any product modifications, product changes or product enhancements with regard to the specific intended use in accordance with the state of the art or in any other way. At METZ CONNECT's request, the Customer shall submit and make available meaningful evidence (e.g. test and laboratory protocols, certifications, etc.).



Illustrations

Dimensional drawing



Principle diagram

