

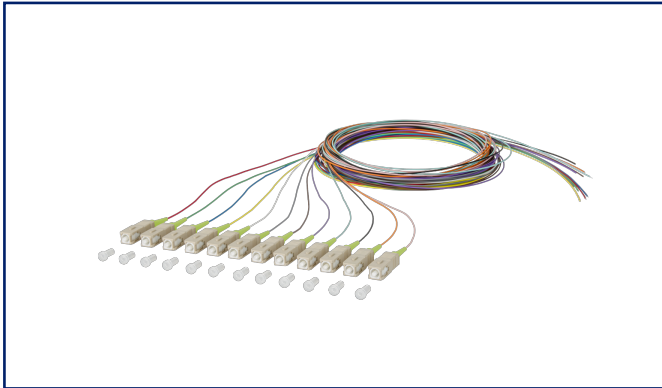
# Data sheet

## OpDAT pigtail SC-PC, OM5, 12 colors

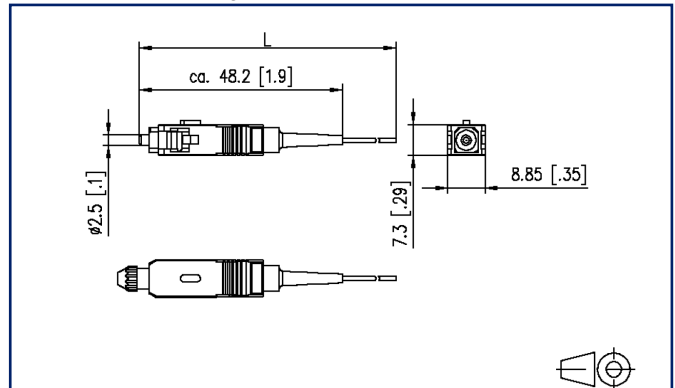
Page 1/5

P/N  
150R1CO0020E  
EAN 4251394604879  
2025/09/18  
Version: H

### Illustrations



Dimensional drawing



See enlarged drawings at the end of document

### Product specification

- SC plug according to IEC 61754-4
- Multi mode fiber OM5, G50/125  $\mu\text{m}$ , bend insensitive according to IEC 60793-2-10 type A1a.4
- Compact loose tube fiber with dia. 0.9 mm, length 2.0 m
- Color sequence in sets according to IEC 60304: red, green, blue, yellow, white, gray, brown, violet, turquoise, black, orange, pink. Secondary and primary coating same color
- Plug connector mounted on one side
- With test report, insertion loss and return loss tested at 100 %
  
- all available variants can be created with the cable configurator



# OpDAT pigtail SC-PC, OM5, 12 colors

P/N

150R1CO0020E

EAN 4251394604879

2025/09/18

Version: H

## Technical Data

### General Data

|   |                                     |
|---|-------------------------------------|
| Fields of application                         | office areas<br>data center         |
| Mechanical measurement according to MICE      | M1                                  |
| Ingress measurement according to MICE         | I1                                  |
| Climatic measurement according to MICE        | C1                                  |
| Electromagnetic measurement according to MICE | E3                                  |
| Design  | pigtail                             |
| Transmission technology                       | Fiber optic                         |
| Color   | beige                               |
| Dimensions                                    |                                     |
| Dimension (L x W x H)                         | 78.2 mm x 8.85 mm x 7.3 mm          |
| Dimension (L x W x H)                         | 3.079 in. x 0.348 in. x 0.287 in.   |
| Mode type of the fiber                        | Multimode                           |
| Fiber class                                   | OM5                                 |
| Fiber standard                                | IEC 60793-2-10/EN 60793-2-10 A1.a.4 |
| Cable Type                                    | pigtail(s)                          |
| Number of cables/ buffered fibers             | 12                                  |
| Number of fibres each cable/ wire             | 1                                   |
| Shape   | PC (Physical Contact)               |
| Fiber construction                            | 50/125 µm                           |
| Cable length (m)                              | 2 m                                 |
| Cable length (ft)                             | 6.56 ft                             |

### Connections/interfaces

|                                  |               |
|----------------------------------|---------------|
| Connector technology interface 1 | SC PC         |
| Connector technology interface 2 | free line end |
| Primary coating diameter         | 0.25 mm       |
| Primary coating diameter         | 0.01 in.      |
| Secondary coating diameter       | 0.9 mm        |
| Secondary coating diameter       | 0.035 in.     |
| Ferrule diameter                 | 2.5 mm        |
| Ferrule diameter                 | 0.098 in.     |

# OpDAT pigtail SC-PC, OM5, 12 colors

P/N  
**150R1CO0020E**  
**EAN 4251394604879**  
 2025/09/18  
 Version: H

## Technical Data

### Optical characteristics

|                |             |
|----------------|-------------|
| Insertion loss | max. 0,4 dB |
| Return loss    | min. 35 dB  |

### Mechanical data

|                                |           |
|--------------------------------|-----------|
| Insertion and withdrawal force | min. 5 N  |
| Minimum bending radius         | 15 mm     |
| Minimum bending radius         | 0.591 in. |

### Materials and material properties

|              |           |
|--------------|-----------|
| Halogen free | yes       |
| RoHS         | compliant |

### Environmental conditions

|                            |                |
|----------------------------|----------------|
| Temperature (min. - max.)  |                |
| Temperature - Storage °C   | -20 °C - 60 °C |
| Temperature - Storage °F   | -4 °F - 140 °F |
| Temperature - Operating °C | -20 °C - 60 °C |
| Temperature - Operating °F | -4 °F - 140 °F |

### Standards/Regulations

|  |                            |
|--|----------------------------|
| Generic cabling systems  |                            |
| General requirements   | ISO/IEC 11801              |
| Fibre optic connector interfaces   |                            |
|  | IEC 61754-4                |
| Optical fibers: Product specifications   |                            |
| Sectional specification for category A1 multimode fibres   | ISO/IEC 60793-2-10 (A1a.4) |
| Optical fibers - Interconnecting devices and passive components - basic test and measuring methods |                            |
| Fibre optic interconnecting devices and passive components - Visual inspection of plug end face    | IEC 61300-3-6              |
| Standard colours for insulation for low-frequency cables & wires                                   | IEC 60304                  |
| ITU-T standard   | G.651.1                    |

Data sheet

Page 4/5

**OpDAT pigtail SC-PC, OM5, 12 colors**

P/N

150R1CO0020E

EAN 4251394604879

2025/09/18

Version: H

**Technical Data****Classifications**

|           |          |
|-----------|----------|
| ETIM 7.0  | EC000748 |
| ETIM 8.0  | EC000748 |
| ETIM 9.0  | EC000748 |
| ETIM 10.0 | EC000748 |

**Packing details**

Type of packaging 12 pc(s) / blister packaging

**Application note**

This product is a standard product of METZ CONNECT. METZ CONNECT is not aware of the specific intended use of the goods by the Customer or any customers of the Customer. The Customer guarantees that it has fully and sufficiently tested the use of the goods and any product modifications, product changes or product enhancements with regard to the specific intended use in accordance with the state of the art or in any other way. At METZ CONNECT's request, the Customer shall submit and make available meaningful evidence (e.g. test and laboratory protocols, certifications, etc.).



Data sheet  
**OpDAT pigtail SC-PC, OM5, 12 colors**

Page 5/5

P/N  
**150R1CO0020E**  
EAN **4251394604879**  
2025/09/18  
Version: H

**Illustrations**

Dimensional drawing

