

Data sheet

OpDAT cover for splice tray

Page 1/17

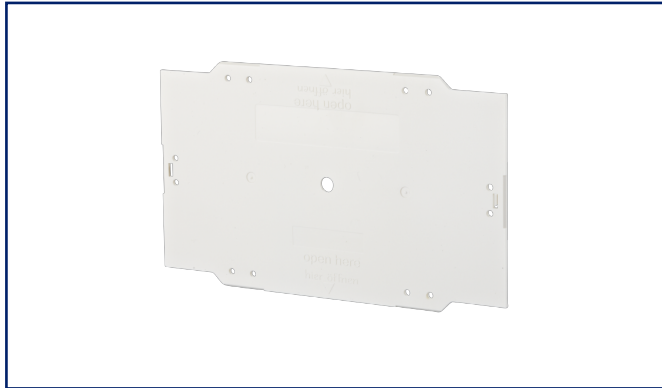
P/N
15090200-E

EAN 4250184109631

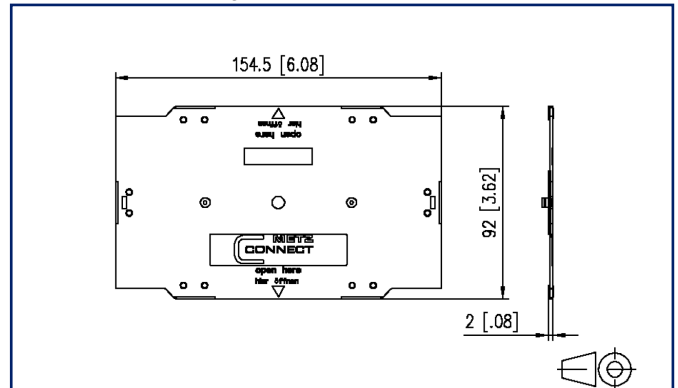
2025/09/18

Version: P

Illustrations



Dimensional drawing



See enlarged drawings at the end of document

Product specification

- standard splice tray, unequipped (154.50 x 92 x 2 mm)
- optionally equipped with splice protection cover
- suitable for installation in the following fiber optic patch fields: OpDAT fix, OpDAT slide, OpDAT PF and OpDAT PA
- variants: for 12 crimp splices, for 12 shrink-fit splices, cover, splice tray empty



Data sheet
OpDAT cover for splice tray

P/N
15090200-E
EAN 4250184109631
 2025/09/18
 Version: P

Technical Data

General Data	
Mechanical measurement according to MICE	M1
Ingress measurement according to MICE	I1
Climatic measurement according to MICE	C1
Electromagnetic measurement according to MICE	E3
Design	Cover for splice tray
Mounting style	Accessories
Color	pearl white RAL 1013
Dimensions	
Dimension (L x W x H)	154.5 mm x 2 mm x 92 mm
Dimension (L x W x H)	6.083 in. x 0.079 in. x 3.622 in.

Materials and material properties	
Material	Plastics
Halogen free	yes
RoHS	compliant

Classifications	
ETIM 7.0	EC002066
ETIM 8.0	EC002066
ETIM 9.0	EC002066
ETIM 10.0	EC002066

Packing details	
Type of packaging	1 pc(s) / plastic bag

Application note

This product is a standard product of METZ CONNECT. METZ CONNECT is not aware of the specific intended use of the goods by the Customer or any customers of the Customer. The Customer guarantees that it has fully and sufficiently tested the use of the goods and any product modifications, product changes or product enhancements with regard to the specific intended use in accordance with the state of the art or in any other way. At METZ CONNECT's request, the Customer shall submit and make available meaningful evidence (e.g. test and laboratory protocols, certifications, etc.).

Data sheet
OpDAT cover for splice tray

P/N
15090200-E
EAN 4250184109631
2025/09/18
Version: P

Accessories from

P/N	Designation
1503257706-E	OpDAT Wall-mounted distributor S 6xLC-D OM3 splice
1503257712-E	OpDAT Wall-mounted distributor S 12xLC-D OM3 splice
1503257724-E	OpDAT Wall-mounted distributor S 24xLC-D OM3 splice
150325BA06-E	OpDAT Wall-mounted distributor S 6xSC-D OM3 splice
150325BA12-E	OpDAT Wall-mounted distributor S 12xSC-D OM3 splice
1503277506-E	OpDAT Wall-mounted distributor S 6xLC-D OM4 splice
1503277512-E	OpDAT Wall-mounted distributor S 12xLC-D OM4 splice
1503277524-E	OpDAT Wall-mounted distributor S 24xLC-D OM4 splice
150327BB06-E	OpDAT Wall-mounted distributor S 6xSC-D OM4 splice
150327BB12-E	OpDAT Wall-mounted distributor S 12xSC-D OM4 splice
1503287M06-E	OpDAT Wall-mounted distributor S 6xLC-D OM5 splice
1503287M12-E	OpDAT Wall-mounted distributor S 12xLC-D OM5 splice
1503287M24-E	OpDAT Wall-mounted distributor S 24xLC-D OM5 splice
150328BM06-E	OpDAT Wall-mounted distributor S 6xSC-D OM5 splice
150328BM12-E	OpDAT Wall-mounted distributor S 12xSC-D OM5 splice
1503295906-E	OpDAT Wall-mounted distributor S 6xE2-S APC OS2 splice
1503295912-E	OpDAT Wall-mounted distributor S 12xE2-S APC OS2 splice
1503295924-E	OpDAT Wall-mounted distributor S 24xE2-S APC OS2 splice
1503297406-E	OpDAT Wall-mounted distributor S 6xLC-D OS2 splice
1503297412-E	OpDAT Wall-mounted distributor S 12xLC-D OS2 splice
1503297424-E	OpDAT Wall-mounted distributor S 24xLC-D OS2 splice
1503297606-E	OpDAT Wall-mounted distributor S 6xLC-D APC OS2 splice
1503297612-E	OpDAT Wall-mounted distributor S 12xLC-D APC OS2 splice
1503297624-E	OpDAT Wall-mounted distributor S 24xLC-D APC OS2 splice
150329E206-E	OpDAT Wall-mounted distributor S 6xSC-D OS2 splice
150329E212-E	OpDAT Wall-mounted distributor S 12xSC-D OS2 splice
150329F206-E	OpDAT Wall-mounted distributor S 6xSC-D APC OS2 splice
150329F212-E	OpDAT Wall-mounted distributor S 12xSC-D APC OS2 splice
1503357748-E	OpDAT Wall-mounted distributor M 48xLC-D OM3 splice
150335BA24-E	OpDAT Wall-mounted distributor M 24xSC-D OM3 splice
1503377548-E	OpDAT Wall-mounted distributor M 48xLC-D OM4 splice
150337BB24-E	OpDAT Wall-mounted distributor M 24xSC-D OM4 splice

OpDAT cover for splice tray

P/N

15090200-E

EAN 4250184109631

2025/09/18

Version: P

Accessories from

1503387M48-E	OpDAT Wall-mounted distributor M 48xLC-D OM5 splice
1503395948-E	OpDAT Wall-mounted distributor M 48xE2-S APC OS2 splice
1503397448-E	OpDAT Wall-mounted distributor M 48xLC-D OS2 splice
1503397648-E	OpDAT Wall-mounted distributor M 48xLC-D APC OS2 splice
150339E224-E	OpDAT Wall-mounted distributor M 24xSC-D OS2 splice
150339F224-E	OpDAT Wall-mounted distributor M 24xSC-D APC OS2 splice
1504500000-E	OpDAT fix ² patch panel connect gray
1504505906-C	OpDAT fix ² patch panel Prefab 6xE2000-S APC OS2 black
1504505906-F	OpDAT fix ² patch panel Prefab 6xE2000-S APC OS2 gray
1504505912-C	OpDAT fix ² patch panel Prefab 12xE2000-S APC OS2 black
1504505912-F	OpDAT fix ² patch panel Prefab 12xE2000-S APC OS2 gray
1504505924-B	OpDAT fix ² patch panel Prefab 24xE2000-S APC OS2 black
1504505924-E	OpDAT fix ² patch panel Prefab 24xE2000-S APC OS2 gray
1504507406-C	OpDAT fix ² patch panel Prefab 6xLC-D OS2 black
1504507406-F	OpDAT fix ² patch panel Prefab 6xLC-D OS2 gray
1504507412-C	OpDAT fix ² patch panel Prefab 12xLC-D OS2 black
1504507412-F	OpDAT fix ² patch panel Prefab 12xLC-D OS2 gray
1504507424-B	OpDAT fix ² patch panel Prefab 24xLC-D OS2 black
1504507424-E	OpDAT fix ² patch panel Prefab 24xLC-D OS2 gray
1504507506-C	OpDAT fix ² patch panel Prefab 6xLC-D OM4 black
1504507506-F	OpDAT fix ² patch panel Prefab 6xLC-D OM4 gray
1504507512-C	OpDAT fix ² patch panel Prefab 12xLC-D OM4 black
1504507512-F	OpDAT fix ² patch panel Prefab 12xLC-D OM4 gray
1504507524-B	OpDAT fix ² patch panel Prefab 24xLC-D OM4 black
1504507524-E	OpDAT fix ² patch panel Prefab 24xLC-D OM4 gray



OpDAT cover for splice tray

P/N

15090200-E

EAN 4250184109631

2025/09/18

Version: P

Accessories from

1504507606-C	OpDAT fix ² patch panel Prefab 6xLC-D APC OS2 black
1504507606-F	OpDAT fix ² patch panel Prefab 6xLC-D APC OS2 gray
1504507612-C	OpDAT fix ² patch panel Prefab 12xLC-D APC OS2 black
1504507612-F	OpDAT fix ² patch panel Prefab 12xLC-D APC OS2 gray
1504507624-B	OpDAT fix ² patch panel Prefab 24xLC-D APC OS2 black
1504507624-E	OpDAT fix ² patch panel Prefab 24xLC-D APC OS2 gray
1504507706-C	OpDAT fix ² patch panel Prefab 6xLC-D OM3 black
1504507706-F	OpDAT fix ² patch panel Prefab 6xLC-D OM3 gray
1504507712-C	OpDAT fix ² patch panel Prefab 12xLC-D OM3 black
1504507712-F	OpDAT fix ² patch panel Prefab 12xLC-D OM3 gray
1504507724-B	OpDAT fix ² patch panel Prefab 24xLC-D OM3 black
1504507724-E	OpDAT fix ² patch panel Prefab 24xLC-D OM3 gray
1504507M06-F	OpDAT fix ² patch panel Prefab 6xLC-D OM5 gray
1504507M12-F	OpDAT fix ² patch panel Prefab 12xLC-D OM5 gray
1504507M24-E	OpDAT fix ² patch panel Prefab 24xLC-D OM5 gray
150450BA06-F	OpDAT fix ² patch panel Prefab 6xSC-D OM3 gray
150450BA12-F	OpDAT fix ² patch panel Prefab 12xSC-D OM3 gray
150450BA24-E	OpDAT fix ² patch panel Prefab 24xSC-D OM3 gray
150450BB06-F	OpDAT fix ² patch panel Prefab 6xSC-D OM4 gray
150450BB12-F	OpDAT fix ² patch panel Prefab 12xSC-D OM4 gray
150450BB24-E	OpDAT fix ² patch panel Prefab 24xSC-D OM4 gray
150450BM06-F	OpDAT fix ² patch panel Prefab 6xSC-D OM5 gray

OpDAT cover for splice tray

P/N

15090200-E

EAN 4250184109631

2025/09/18

Version: P

Accessories from

150450BM12-F	OpDAT fix ² patch panel Prefab 12xSC-D OM5 gray
150450BM24-E	OpDAT fix ² patch panel Prefab 24xSC-D OM5 gray
150450D106-F	OpDAT fix ² patch panel Prefab 6xST-D gray
150450D112-F	OpDAT fix ² patch panel Prefab 12xST-D gray
150450D124-E	OpDAT fix ² patch panel Prefab 24xST-D gray
150450E206-C	OpDAT fix ² patch panel Prefab 6xSC-D OS2 black
150450E206-F	OpDAT fix ² patch panel Prefab 6xSC-D OS2 gray
150450E212-C	OpDAT fix ² patch panel Prefab 12xSC-D OS2 black
150450E212-F	OpDAT fix ² patch panel Prefab 12xSC-D OS2 gray
150450E224-B	OpDAT fix ² patch panel Prefab 24xSC-D OS2 black
150450E224-E	OpDAT fix ² patch panel Prefab 24xSC-D OS2 gray
150450F206-C	OpDAT fix ² patch panel Prefab 6xSC-D APC OS2 black
150450F206-F	OpDAT fix ² patch panel Prefab 6xSC-D APC OS2 gray
150450F212-C	OpDAT fix ² patch panel Prefab 12xSC-D APC OS2 black
150450F212-F	OpDAT fix ² patch panel Prefab 12xSC-D APC OS2 gray
150450F224-B	OpDAT fix ² patch panel Prefab 24xSC-D APC OS2 black
150450F224-E	OpDAT fix ² patch panel Prefab 24xSC-D APC OS2 gray
1504557706-C	OpDAT fix ² patch panel splice 6xLC-D OM3 black
1504557706-F	OpDAT fix ² patch panel splice 6xLC-D OM3 gray
1504557712-C	OpDAT fix ² patch panel splice 12xLC-D OM3 black
1504557712-F	OpDAT fix ² patch panel splice 12xLC-D OM3 gray
1504557724-B	OpDAT fix ² patch panel splice 24xLC-D OM3 black

OpDAT cover for splice tray

P/N

15090200-E

EAN 4250184109631

2025/09/18

Version: P

Accessories from

1504557724-E	OpDAT fix ² patch panel splice 24xLC-D OM3 gray
150455BA06-F	OpDAT fix ² patch panel splice 6xSC-D OM3 gray
150455BA12-F	OpDAT fix ² patch panel splice 12xSC-D OM3 gray
150455BA24-E	OpDAT fix ² patch panel splice 24xSC-D OM3 gray
150455D106-F	OpDAT fix ² patch panel splice 6xST-D OM3 gray
150455D112-F	OpDAT fix ² patch panel splice 12xST-D OM3 gray
150455D124-E	OpDAT fix ² patch panel splice 24xST-D OM3 gray
1504577506-C	OpDAT fix ² patch panel splice 6xLC-D OM4 black
1504577506-F	OpDAT fix ² patch panel splice 6xLC-D OM4 gray
1504577512-C	OpDAT fix ² patch panel splice 12xLC-D OM4 black
1504577512-F	OpDAT fix ² patch panel splice 12xLC-D OM4 gray
1504577524-B	OpDAT fix ² patch panel splice 24xLC-D OM4 black
1504577524-E	OpDAT fix ² patch panel splice 24xLC-D OM4 gray
150457BB06-F	OpDAT fix ² patch panel splice 6xSC-D OM4 gray
150457BB12-F	OpDAT fix ² patch panel splice 12xSC-D OM4 gray
150457BB24-E	OpDAT fix ² patch panel splice 24xSC-D OM4 gray
150457D106-F	OpDAT fix ² patch panel splice 6xST-D OM4 gray
150457D112-F	OpDAT fix ² patch panel splice 12xST-D OM4 gray
150457D124-E	OpDAT fix ² patch panel splice 24xST-D OM4 gray
1504587M06-F	OpDAT fix ² patch panel splice 6xLC-D OM5 gray
1504587M12-F	OpDAT fix ² patch panel splice 12xLC-D OM5 gray
1504587M24-E	OpDAT fix ² patch panel splice 24xLC-D OM5 gray



OpDAT cover for splice tray

P/N

15090200-E

EAN 4250184109631

2025/09/18

Version: P

Accessories from

150458BM06-F	OpDAT fix ² patch panel splice 6xSC-D OM5 gray
150458BM12-F	OpDAT fix ² patch panel splice 12xSC-D OM5 gray
150458BM24-E	OpDAT fix ² patch panel splice 24xSC-D OM5 gray
1504595906-C	OpDAT fix ² patch panel splice 6xE2000-S APC OS2 black
1504595906-F	OpDAT fix ² patch panel splice 6xE2000-S APC OS2 gray
1504595912-C	OpDAT fix ² patch panel splice 12xE2000-S APC OS2 black
1504595912-F	OpDAT fix ² patch panel splice 12xE2000-S APC OS2 gray
1504595924-B	OpDAT fix ² patch panel splice 24xE2000-S APC OS2 black
1504595924-E	OpDAT fix ² patch panel splice 24xE2000-S APC OS2 gray
1504597406-C	OpDAT fix ² patch panel splice 6xLC-D OS2 black
1504597406-F	OpDAT fix ² patch panel splice 6xLC-D OS2 gray
1504597412-C	OpDAT fix ² patch panel splice 12xLC-D OS2 black
1504597412-F	OpDAT fix ² patch panel splice 12xLC-D OS2 gray
1504597424-B	OpDAT fix ² patch panel splice 24xLC-D OS2 black
1504597424-E	OpDAT fix ² patch panel splice 24xLC-D OS2 gray
1504597606-C	OpDAT fix ² patch panel splice 6xLC-D APC OS2 black
1504597606-F	OpDAT fix ² patch panel splice 6xLC-D APC OS2 gray
1504597612-C	OpDAT fix ² patch panel splice 12xLC-D APC OS2 black
1504597612-F	OpDAT fix ² patch panel splice 12xLC-D APC OS2 gray
1504597624-B	OpDAT fix ² patch panel splice 24xLC-D APC OS2 black
1504597624-E	OpDAT fix ² patch panel splice 24xLC-D APC OS2 gray
150459D106-F	OpDAT fix ² patch panel splice 6xST-D OS2 gray

OpDAT cover for splice tray

P/N

15090200-E

EAN 4250184109631

2025/09/18

Version: P

Accessories from

150459D112-F	OpDAT fix ² patch panel splice 12xST-D OS2 gray
150459D124-E	OpDAT fix ² patch panel splice 24xST-D OS2 gray
150459E206-C	OpDAT fix ² patch panel splice 6xSC-D OS2 black
150459E206-F	OpDAT fix ² patch panel splice 6xSC-D OS2 gray
150459E212-C	OpDAT fix ² patch panel splice 12xSC-D OS2 black
150459E212-F	OpDAT fix ² patch panel splice 12xSC-D OS2 gray
150459E224-B	OpDAT fix ² patch panel splice 24xSC-D OS2 black
150459E224-E	OpDAT fix ² patch panel splice 24xSC-D OS2 gray
150459F206-C	OpDAT fix ² patch panel splice 6xSC-D APC OS2 black
150459F206-F	OpDAT fix ² patch panel splice 6xSC-D APC OS2 gray
150459F212-C	OpDAT fix ² patch panel splice 12xSC-D APC OS2 black
150459F212-F	OpDAT fix ² patch panel splice 12xSC-D APC OS2 gray
150459F224-B	OpDAT fix ² patch panel splice 24xSC-D APC OS2 black
150459F224-E	OpDAT fix ² patch panel splice 24xSC-D APC OS2 gray
15045FJJ12-F	OpDAT fix ² patch panel Prefab 12xLC-D OS2/OM4 gray
1504601C00-E	OpDAT slide ² patch panel splice unequipped gray
1504605906-C	OpDAT slide ² patch panel Prefab 6xE2000-S APC OS2 black
1504605906-F	OpDAT slide ² patch panel Prefab 6xE2000-S APC OS2 gray
1504605912-C	OpDAT slide ² patch panel Prefab 12xE2000-S APC OS2 black
1504605912-F	OpDAT slide ² patch panel Prefab 12xE2000-S APC OS2 gray
1504605924-B	OpDAT slide ² patch panel Prefab 24xE2000-S APC OS2 black
1504605924-E	OpDAT slide ² patch panel Prefab 24xE2000-S APC OS2 gray

Data sheet

Page 10/17

OpDAT cover for splice tray

P/N

15090200-E

EAN 4250184109631

2025/09/18

Version: P

Accessories from

1504607406-C	OpDAT slide ² patch panel Prefab 6xLC-D OS2 black
1504607406-F	OpDAT slide ² patch panel Prefab 6xLC-D OS2 gray
1504607412-C	OpDAT slide ² patch panel Prefab 12xLC-D OS2 black
1504607412-F	OpDAT slide ² patch panel Prefab 12xLC-D OS2 gray
1504607424-B	OpDAT slide ² patch panel Prefab 24xLC-D OS2 black
1504607424-E	OpDAT slide ² patch panel Prefab 24xLC-D OS2 gray
1504607506-C	OpDAT slide ² patch panel Prefab 6xLC-D OM4 black
1504607506-F	OpDAT slide ² patch panel Prefab 6xLC-D OM4 gray
1504607512-C	OpDAT slide ² patch panel Prefab 12xLC-D OM4 black
1504607512-F	OpDAT slide ² patch panel Prefab 12xLC-D OM4 gray
1504607524-B	OpDAT slide ² patch panel Prefab 24xLC-D OM4 black
1504607524-E	OpDAT slide ² patch panel Prefab 24xLC-D OM4 gray
1504607606-C	OpDAT slide ² patch panel Prefab 6xLC-D APC OS2 black
1504607606-F	OpDAT slide ² patch panel Prefab 6xLC-D APC OS2 gray
1504607612-C	OpDAT slide ² patch panel Prefab 12xLC-D APC OS2 black
1504607612-F	OpDAT slide ² patch panel Prefab 12xLC-D APC OS2 gray
1504607624-B	OpDAT slide ² patch panel Prefab 24xLC-D APC OS2 black
1504607624-E	OpDAT slide ² patch panel Prefab 24xLC-D APC OS2 gray
1504607706-C	OpDAT slide ² patch panel Prefab 6xLC-D OM3 black
1504607706-F	OpDAT slide ² patch panel Prefab 6xLC-D OM3 gray
1504607712-C	OpDAT slide ² patch panel Prefab 12xLC-D OM3 black
1504607712-F	OpDAT slide ² patch panel Prefab 12xLC-D OM3 gray



OpDAT cover for splice tray

P/N

15090200-E

EAN 4250184109631

2025/09/18

Version: P

Accessories from

1504607724-B	OpDAT slide ² patch panel Prefab 24xLC-D OM3 black
1504607724-E	OpDAT slide ² patch panel Prefab 24xLC-D OM3 gray
1504607M06-F	OpDAT slide ² patch panel Prefab 6xLC-D OM5 gray
1504607M12-F	OpDAT slide ² patch panel Prefab 12xLC-D OM5 gray
1504607M24-E	OpDAT slide ² patch panel Prefab 24xLC-D OM5 gray
150460BA00-E	OpDAT slide ² patch panel unequipped gray
150460BA06-F	OpDAT slide ² patch panel Prefab 6xSC-D OM3 gray
150460BA12-F	OpDAT slide ² patch panel Prefab 12xSC-D OM3 gray
150460BA24-E	OpDAT slide ² patch panel Prefab 24xSC-D OM3 gray
150460BB06-F	OpDAT slide ² patch panel Prefab 6xSC-D OM4 gray
150460BB12-F	OpDAT slide ² patch panel Prefab 12xSC-D OM4 gray
150460BB24-E	OpDAT slide ² patch panel Prefab 24xSC-D OM4 gray
150460BM24-E	OpDAT slide ² patch panel Prefab 24xSC-D OM5 gray
150460D124-E	OpDAT slide ² patch panel Prefab 24xST-D gray
150460E206-C	OpDAT slide ² patch panel Prefab 6xSC-D OS2 black
150460E206-F	OpDAT slide ² patch panel Prefab 6xSC-D OS2 gray
150460E212-C	OpDAT slide ² patch panel Prefab 12xSC-D OS2 black
150460E212-F	OpDAT slide ² patch panel Prefab 12xSC-D OS2 gray
150460E224-B	OpDAT slide ² patch panel Prefab 24xSC-D OS2 black
150460E224-E	OpDAT slide ² patch panel Prefab 24xSC-D OS2 gray
150460F206-C	OpDAT slide ² patch panel Prefab 6xSC-D APC OS2 black
150460F206-F	OpDAT slide ² patch panel Prefab 6xSC-D APC OS2 gray

OpDAT cover for splice tray

P/N

15090200-E

EAN 4250184109631

2025/09/18

Version: P

Accessories from

150460F212-C	OpDAT slide ² patch panel Prefab 12xSC-D APC OS2 black
150460F212-F	OpDAT slide ² patch panel Prefab 12xSC-D APC OS2 gray
150460F224-B	OpDAT slide ² patch panel Prefab 24xSC-D APC OS2 black
150460F224-E	OpDAT slide ² patch panel Prefab 24xSC-D APC OS2 gray
1504657706-C	OpDAT slide ² patch panel splice 6xLC-D OM3 black
1504657706-F	OpDAT slide ² patch panel splice 6xLC-D OM3 gray
1504657712-C	OpDAT slide ² patch panel splice 12xLC-D OM3 black
1504657712-F	OpDAT slide ² patch panel splice 12xLC-D OM3 gray
1504657724-B	OpDAT slide ² patch panel splice 24xLC-D OM3 black
1504657724-E	OpDAT slide ² patch panel splice 24xLC-D OM3 gray
150465BA06-F	OpDAT slide ² patch panel splice 6xSC-D OM3 gray
150465BA12-F	OpDAT slide ² patch panel splice 12xSC-D OM3 gray
150465BA24-E	OpDAT slide ² patch panel splice 24xSC-D OM3 gray
150465D106-F	OpDAT slide ² patch panel splice 6xST-D OM3 gray
150465D112-F	OpDAT slide ² patch panel splice 12xST-D OM3 gray
150465D124-E	OpDAT slide ² patch panel splice 24xST-D OM3 gray
1504677506-C	OpDAT slide ² patch panel splice 6xLC-D OM4 black
1504677506-E	
1504677506-F	OpDAT slide ² patch panel splice 6xLC-D OM4 gray
1504677512-C	OpDAT slide ² patch panel splice 12xLC-D OM4 black
1504677512-F	OpDAT slide ² patch panel splice 12xLC-D OM4 gray
1504677524-B	OpDAT slide ² patch panel splice 24xLC-D OM4 black

OpDAT cover for splice tray

P/N

15090200-E

EAN 4250184109631

2025/09/18

Version: P

Accessories from

1504677524-E	OpDAT slide ² patch panel splice 24xLC-D OM4 gray
150467BB06-F	OpDAT slide ² patch panel splice 6xSC-D OM4 gray
150467BB12-F	OpDAT slide ² patch panel splice 12xSC-D OM4 gray
150467BB24-E	OpDAT slide ² patch panel splice 24xSC-D OM4 gray
150467D106-F	OpDAT slide ² patch panel splice 6xST-D OM4 gray
150467D112-F	OpDAT slide ² patch panel splice 12xST-D OM4 gray
150467D124-E	OpDAT slide ² patch panel splice 24xST-D OM4 gray
1504687M06-F	OpDAT slide ² patch panel splice 6xLC-D OM5 gray
1504687M12-F	OpDAT slide ² patch panel splice 12xLC-D OM5 gray
1504687M24-E	OpDAT slide ² patch panel splice 24xLC-D OM5 gray
150468BM06-F	OpDAT slide ² patch panel splice 6xSC-D OM5 gray
150468BM12-F	OpDAT slide ² patch panel splice 12xSC-D OM5 gray
150468BM24-E	OpDAT slide ² patch panel splice 24xSC-D OM5 gray
1504695906-C	OpDAT slide ² patch panel splice 6xE2000-S APC OS2 black
1504695906-F	OpDAT slide ² patch panel splice 6xE2000-S APC OS2 gray
1504695912-C	OpDAT slide ² patch panel splice 12xE2000-S APC OS2 black
1504695912-F	OpDAT slide ² patch panel splice 12xE2000-S APC OS2 gray
1504695924-B	OpDAT slide ² patch panel splice 24xE2000-S APC OS2 black
1504695924-E	OpDAT slide ² patch panel splice 24xE2000-S APC OS2 gray
1504697406-C	OpDAT slide ² patch panel splice 6xLC-D OS2 black
1504697406-F	OpDAT slide ² patch panel splice 6xLC-D OS2 gray
1504697412-C	OpDAT slide ² patch panel splice 12xLC-D OS2 black



OpDAT cover for splice tray

P/N

15090200-E

EAN 4250184109631

2025/09/18

Version: P

Accessories from

1504697412-F	OpDAT slide ² patch panel splice 12xLC-D OS2 gray
1504697424-B	OpDAT slide ² patch panel splice 24xLC-D OS2 black
1504697424-E	OpDAT slide ² patch panel splice 24xLC-D OS2 gray
1504697606-C	OpDAT slide ² patch panel splice 6xLC-D APC OS2 black
1504697606-F	OpDAT slide ² patch panel splice 6xLC-D APC OS2 gray
1504697612-C	OpDAT slide ² patch panel splice 12xLC-D APC OS2 black
1504697612-F	OpDAT slide ² patch panel splice 12xLC-D APC OS2 gray
1504697624-B	OpDAT slide ² patch panel splice 24xLC-D APC OS2 black
1504697624-E	OpDAT slide ² patch panel splice 24xLC-D APC OS2 gray
150469D106-F	OpDAT slide ² patch panel splice 6xST-D OS2 gray
150469D112-F	OpDAT slide ² patch panel splice 12xST-D OS2 gray
150469D124-E	OpDAT slide ² patch panel splice 24xST-D OS2 gray
150469E206-C	OpDAT slide ² patch panel splice 6xSC-D OS2 black
150469E206-F	OpDAT slide ² patch panel splice 6xSC-D OS2 gray
150469E212-C	OpDAT slide ² patch panel splice 12xSC-D OS2 black
150469E212-F	OpDAT slide ² patch panel splice 12xSC-D OS2 gray
150469E224-B	OpDAT slide ² patch panel splice 24xSC-D OS2 black
150469E224-E	OpDAT slide ² patch panel splice 24xSC-D OS2 gray
150469F206-C	OpDAT slide ² patch panel splice 6xSC-D APC OS2 black
150469F206-F	OpDAT slide ² patch panel splice 6xSC-D APC OS2 gray
150469F212-C	OpDAT slide ² patch panel splice 12xSC-D APC OS2 black
150469F212-F	OpDAT slide ² patch panel splice 12xSC-D APC OS2 gray

OpDAT cover for splice tray

P/N

15090200-E

EAN 4250184109631

2025/09/18

Version: P

Accessories from

150469F224-B	OpDAT slide ² patch panel splice 24xSC-D APC OS2 black
150469F224-E	OpDAT slide ² patch panel splice 24xSC-D APC OS2 gray
1504805948-E	OpDAT fix ² patch panel Prefab 48xE2000-S APC OS2 gray
1504807448-E	OpDAT fix ² patch panel Prefab 48xLC-D OS2 gray
1504807548-E	OpDAT fix ² patch panel Prefab 48xLC-D OM4 gray
1504807648-E	OpDAT fix ² patch panel Prefab 48xLC-D APC OS2 gray
1504807748-E	OpDAT fix ² patch panel Prefab 48xLC-D OM3 gray
1504807M48-E	OpDAT fix ² patch panel Prefab 48xLC-D OM5 gray
150480BA48-E	OpDAT fix ² patch panel Prefab 48xSC-D OM3 gray
150480BB48-E	OpDAT fix ² patch panel Prefab 48xSC-D OM4 gray
150480BM48-E	OpDAT fix ² patch panel Prefab 48xSC-D OM5 gray
150480E248-E	OpDAT fix ² patch panel Prefab 48xSC-D OS2 gray
150480F248-E	OpDAT fix ² patch panel Prefab 48xSC-D APC OS2 gray
1504857748-E	OpDAT fix ² patch panel splice 48xLC-D OM3 gray
150485BA48-E	OpDAT fix ² patch panel splice 48xSC-D OM3 gray
1504877548-E	OpDAT fix ² patch panel splice 48xLC-D OM4 gray
150487BB48-E	OpDAT fix ² patch panel splice 48xSC-D OM4 gray
150488BM48-E	OpDAT fix ² patch panel splice 48xSC-D OM5 gray
1504895948-E	OpDAT fix ² patch panel splice 48xE2000-S APC OS2 gray
1504897448-E	OpDAT fix ² patch panel splice 48xLC-D OS2 gray
1504897648-E	OpDAT fix ² patch panel splice 48xLC-D APC OS2 gray
150489E248-E	OpDAT fix ² patch panel splice 48xSC-D OS2 gray

OpDAT cover for splice tray

P/N

15090200-E

EAN 4250184109631

2025/09/18

Version: P

Accessories from

150489F248-E	OpDAT fix ² patch panel splice 48xSC-D APC OS2 gray
1504907406-F	OpDAT slide ² K patch panel Prefab 6xLC-D OS2 gray
1504907412-F	OpDAT slide ² K patch panel Prefab 12xLC-D OS2 gray
1504907506-F	OpDAT slide ² K patch panel Prefab 6xLC-D OM4 gray
1504907512-F	OpDAT slide ² K patch panel Prefab 12xLC-D OM4 gray
1504907606-F	OpDAT slide ² K patch panel Prefab 6xLC-D APC OS2 gray
1504907612-F	OpDAT slide ² K patch panel Prefab 12xLC-D APC OS2 gray
150490E206-F	OpDAT slide ² K patch panel Prefab 6xSC-D OS2 gray
150490E212-F	OpDAT slide ² K patch panel Prefab 12xSC-D OS2 gray
1504977506-F	OpDAT slide ² K patch panel splice 6xLC-D OM4 gray
1504977512-F	OpDAT slide ² K patch panel splice 12xLC-D OM4 gray
1504997406-F	OpDAT slide ² K patch panel splice 6xLC-D OS2 gray
1504997412-F	OpDAT slide ² K patch panel splice 12xLC-D OS2 gray
1504997606-F	OpDAT slide ² K patch panel splice 6xLC-D APC OS2 gray
1504997612-F	OpDAT slide ² K patch panel splice 12xLC-D APC OS2 gray
150499E206-F	OpDAT slide ² K patch panel splice 6xSC-D OS2 gray
150499E212-F	OpDAT slide ² K patch panel splice 12xSC-D OS2 gray



Data sheet
OpDAT cover for splice tray

Page 17/17

P/N
15090200-E
EAN 4250184109631
2025/09/18
Version: P

Illustrations

Dimensional drawing

