

Data sheet

OpDAT adapter LC-Quad OM4 - 30 pieces

Page 1/5

P/N

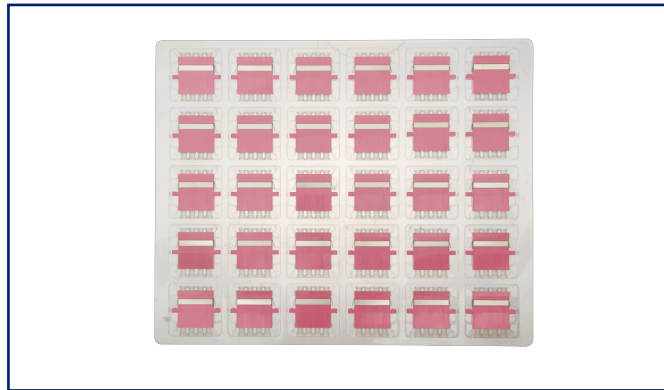
15090079-30

EAN 4251122190315

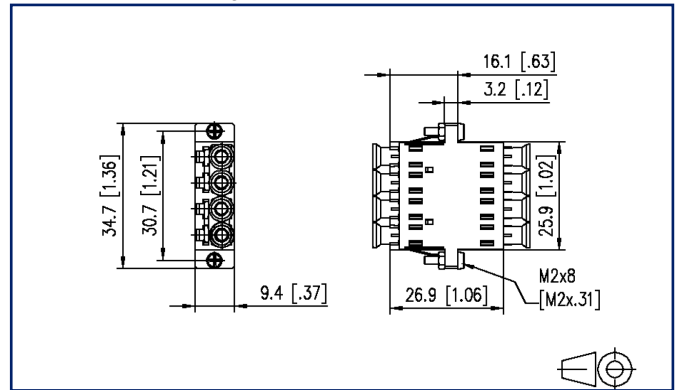
2025/09/18

Version: O

Illustrations



Dimensional drawing



See enlarged drawings at the end of document

Product specification

- LC Quad plastic adapter, SC duplex design with metal clip
- slotted ceramic guide sleeves for single mode and multimode applications
- with transparent dust protection caps for a better visibility during red light test
- high material stability, surface quality and durability
- durability min. 1000 mating cycles with a ceramic guide sleeve
- screws and nuts included
- variants: blue (OS2), green (OS2 APC), lime green (OM5), violet (OM4), aqua (OM3), each variant available in packing units of 1 piece or 30 pieces



OpDAT adapter LC-Quad OM4 - 30 pieces

P/N

15090079-30

EAN 4251122190315

2025/09/18

Version: O

Technical Data

General Data

Fields of application	structured building cabling fiber to the desk data center
Mechanical measurement according to MICE	M1
Ingress measurement according to MICE	I1
Climatic measurement according to MICE	C1
Electromagnetic measurement according to MICE	E3
Design	coupler / adapter (FO)
Transmission technology	Fiber optic
Color	violet
Dimensions	
Dimension (L x W x H)	25.5 mm x 34.7 mm x 9.4 mm
Dimension (L x W x H)	1.004 in. x 1.366 in. x 0.37 in.
Mode type of the fiber	Multimode
Labeling option	on housing

Connections/interfaces

Connector interfaces	LC
----------------------	----

Mechanical data

Cut-out	SC-D, LC-Q, ST-D
Connector type	quad
Mounting method	latchable and screwable
Life - Number of mating cycles	min. 1000
Position/mounting of latch standard installation position	top

Materials and material properties

Material - Housing	Plastics
Material - Sleeve	ceramic, slotted
Halogen free	yes
RoHS	compliant



Data sheet

OpDAT adapter LC-Quad OM4 - 30 pieces

Page 3/5

P/N
15090079-30

EAN 4251122190315

2025/09/18

Version: O

Technical Data

Standards/Regulations

Fibre optic connector interfaces	LC - IEC 61754-20
----------------------------------	-------------------

Classifications

ETIM 7.0	EC000752
ETIM 8.0	EC000752
ETIM 9.0	EC000752
ETIM 10.0	EC000752

Packing details

Type of packaging	1 pc(s) / plastic bag
-------------------	-----------------------

Application note

This product is a standard product of METZ CONNECT. METZ CONNECT is not aware of the specific intended use of the goods by the Customer or any customers of the Customer. The Customer guarantees that it has fully and sufficiently tested the use of the goods and any product modifications, product changes or product enhancements with regard to the specific intended use in accordance with the state of the art or in any other way. At METZ CONNECT's request, the Customer shall submit and make available meaningful evidence (e.g. test and laboratory protocols, certifications, etc.).

Data sheet

Page 4/5

OpDAT adapter LC-Quad OM4 - 30 pieces

P/N

15090079-30

EAN 4251122190315

2025/09/18

Version: O

Accessories from

P/N	Designation
1502005200-E	OpDAT PF patch panel for 12xSC-D/LC-Q/ST-D
1502205200-E	OpDAT PA patch panel for 12xSC-D/LC-Q/ST-D
150240000010E	OpDAT REGplus for 6xSC-Duplex for crimp splice holder
150240000010S	OpDAT REGplus for 6xSC-Duplex for shrink splice holder
15024A5200-E	OpDAT REGpro front cover for 6xSC-D/6xLC-Q
150250B200-E	OpDAT fix patch panel for 24xSC-D/LC-Q/ST-D



Illustrations

Dimensional drawing

