

Data sheet

OpDAT adapter E2000-Simplex OS2

Page 1/5

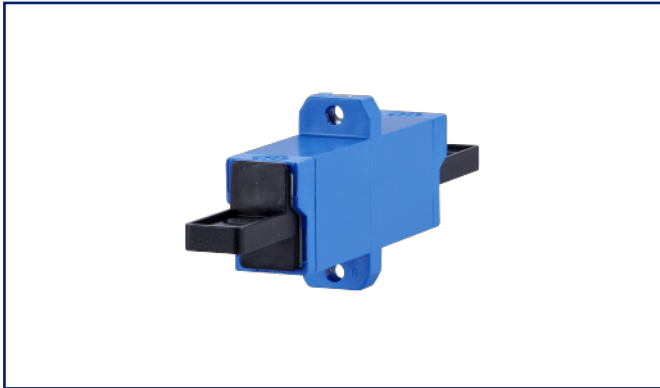
P/N
15090058-I

EAN 4250184149408

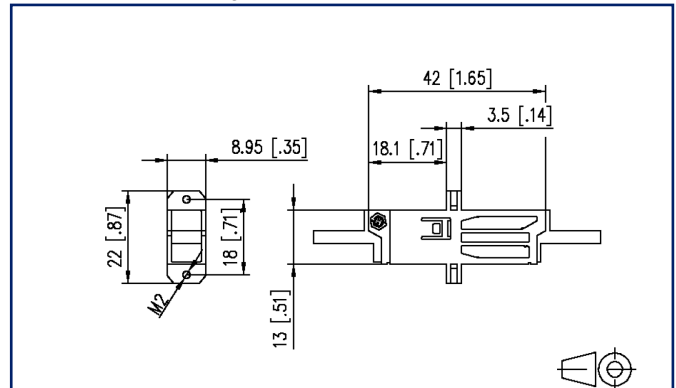
2025/09/18

Version: V

Illustrations



Dimensional drawing



See enlarged drawings at the end of document

Product specification

- housing of the E2000 adapter made of plastic, screws included in the delivery
- slotted sleeve made of ceramics
- high material stability and surface quality and long service life
- service life: min. 1000 plug cycles
- variants: blue (SM), green (SM APC), beige-green (OM5), beige-violet (OM4) or beige-aqua (OM3)



Data sheet
OpDAT adapter E2000-Simplex OS2

Technical Data

General Data

| | |
|---|---|
| Fields of application | structured building cabling fiber to the desk data center |
| Mechanical measurement according to MICE | M1 |
| Ingress measurement according to MICE | I1 |
| Climatic measurement according to MICE | C1 |
| Electromagnetic measurement according to MICE | E3 |
| Design | coupler / adapter (FO) |
| Transmission technology | Fiber optic |
| Color | blue |
| Dimensions | |
| Dimension (L x W x H) | 42 mm x 8.95 mm x 22 mm |
| Dimension (L x W x H) | 1.654 in. x 0.352 in. x 0.866 in. |
| Mode type of the fiber | Singlemode |
| Labeling option | on housing |

Connections/interfaces

| | |
|----------------------|-------|
| Connector interfaces | E2000 |
|----------------------|-------|

Mechanical data

| | |
|--|-----------------|
| Cut-out | SC, LC-D, E2000 |
| Connector type | simplex |
| Mounting method | screwable |
| Life - Number of mating cycles | min. 1000 |
| Position/mounting of latch standard installation position | top |

Materials and material properties

| | |
|--------------------|------------------|
| Material - Housing | Plastics |
| Material - Sleeve | ceramic, slotted |
| Halogen free | yes |
| RoHS | compliant |

OpDAT adapter E2000-Simplex OS2

P/N

15090058-I

EAN 4250184149408

2025/09/18

Version: V

Technical Data**Environmental conditions**

Temperature (min. - max.)

Temperature - Storage °C -40 °C - 85 °C

Temperature - Storage °F -40 °F - 185 °F

Temperature - Operating °C -40 °C - 85 °C

Temperature - Operating °F -40 °F - 185 °F

Standards/Regulations

Fibre optic connector interfaces LSH - IEC 61754-15

Classifications

ETIM 7.0 EC000752

ETIM 8.0 EC000752

ETIM 9.0 EC000752

ETIM 10.0 EC000752

Packing details

Type of packaging 1 pc(s) / plastic bag

Application note

This product is a standard product of METZ CONNECT. METZ CONNECT is not aware of the specific intended use of the goods by the Customer or any customers of the Customer. The Customer guarantees that it has fully and sufficiently tested the use of the goods and any product modifications, product changes or product enhancements with regard to the specific intended use in accordance with the state of the art or in any other way. At METZ CONNECT's request, the Customer shall submit and make available meaningful evidence (e.g. test and laboratory protocols, certifications, etc.).



Data sheet

Page 4/5

OpDAT adapter E2000-Simplex OS2

P/N

15090058-I

EAN 4250184149408

2025/09/18

Version: V

Accessories from

| P/N | Designation |
|--------------|--|
| 14040000-E | MCO IP69k protective housing for outdoor use, set for exposed installation |
| 14040010-E | MCO IP69k Protective housing for outdoor use, set with mounting bracket |
| 14040100-E | MCO IP69k Protective housing for outdoor use, set wall/ housing bushing |
| 1502007300-E | OpDAT PF patch panel for 24xLC-D/SC-S/E2000-S |
| 1502200200-E | OpDAT PA patch panel unequipped for 24xLC-D/SC-S/E2000, gray |
| 15024A0200-E | OpDAT REGpro front cover for 12xE2000/12xSC-S |
| 15024A7700-E | OpDAT REGpro front cover for 6xLC-D/SC-S/E2000 |
| 1502507300-E | OpDAT fix patch panel for 24xLC-D/SC-S/E2000 |
| 1502607300-E | OpDAT slide patch panel for 24xLC-D/SC-S/E2000 |



Illustrations

Dimensional drawing

