

Data sheet

OpDAT adapter SC-Simplex OM3

Page 1/5

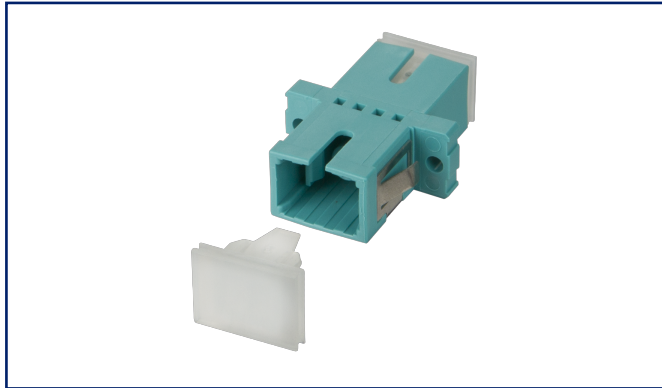
P/N
1509001C-I

EAN 4251122190285

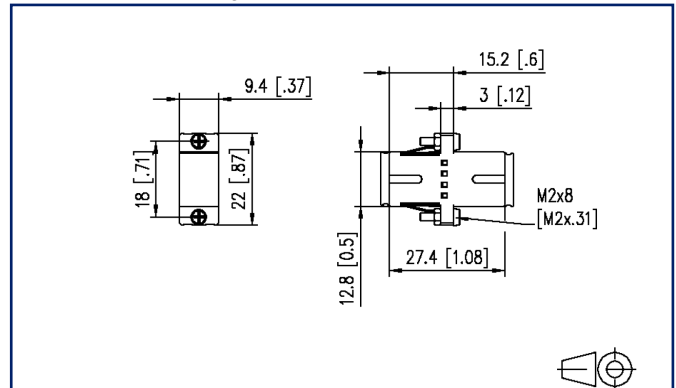
2025/09/18

Version: V

Illustrations



Dimensional drawing



See enlarged drawings at the end of document

Product specification

- SC simplex plastic adapter with metal clip
- slotted ceramic guide sleeve for single mode and multimode applications
- with transparent dust protection caps for a better visibility during red light test
- high material stability, surface quality and durability
- durability min. 1000 mating cycles with a ceramic guide sleeve
- screws and nuts included
- variants: blue (SM), green (SM APC), violet (OM4), aqua (OM3), beige (OM2), each variant available in packing units of 1 piece or 50 pieces



Data sheet
OpDAT adapter SC-Simplex OM3

Technical Data

General Data

| | |
|---|---|
| Fields of application | structured building cabling fiber to the desk data center |
| Mechanical measurement according to MICE | M1 |
| Ingress measurement according to MICE | I1 |
| Climatic measurement according to MICE | C1 |
| Electromagnetic measurement according to MICE | E3 |
| Design | coupler / adapter (FO) |
| Color | aqua |
| Dimensions | |
| Dimension (L x W x H) | 27.4 mm x 22 mm x 9.4 mm |
| Dimension (L x W x H) | 1.079 in. x 0.866 in. x 0.37 in. |
| Mode type of the fiber | Multimode |
| Shape | PC (Physical Contact) |

Connections/interfaces

| | |
|----------------------|----|
| Connector interfaces | SC |
|----------------------|----|

Mechanical data

| | |
|--------------------------------|-----------------|
| Cut-out | SC, LC-D, E2000 |
| Connector type | simplex |
| Life - Number of mating cycles | min. 1000 |

Materials and material properties

| | |
|--------------------|------------------|
| Material - Housing | Plastics |
| Material - Sleeve | ceramic, slotted |
| Halogen free | yes |
| RoHS | compliant |

Environmental conditions

| | |
|----------------------------|-----------------|
| Temperature (min. - max.) | |
| Temperature - Storage °C | -40 °C - 80 °C |
| Temperature - Storage °F | -40 °F - 176 °F |
| Temperature - Operating °C | -40 °C - 80 °C |

OpDAT adapter SC-Simplex OM3P/N
1509001C-I

EAN 4251122190285

2025/09/18

Version: V

Technical Data**Environmental conditions**

Temperature (min. - max.)

Temperature - Operating °F -40 °F - 176 °F

Standards/Regulations

Fibre optic connector interfaces SC - IEC 61754-4

Classifications

ETIM 7.0 EC000752

ETIM 8.0 EC000752

ETIM 9.0 EC000752

ETIM 10.0 EC000752

Packing details

Type of packaging 1 pc(s) / plastic bag

Application note

This product is a standard product of METZ CONNECT. METZ CONNECT is not aware of the specific intended use of the goods by the Customer or any customers of the Customer. The Customer guarantees that it has fully and sufficiently tested the use of the goods and any product modifications, product changes or product enhancements with regard to the specific intended use in accordance with the state of the art or in any other way. At METZ CONNECT's request, the Customer shall submit and make available meaningful evidence (e.g. test and laboratory protocols, certifications, etc.).



Data sheet
OpDAT adapter SC-Simplex OM3

Page 4/5

P/N
1509001C-I
EAN 4251122190285
2025/09/18
Version: V

Accessories from

| P/N | Designation |
|--------------|--|
| 14040000-E | MCO IP69k protective housing for outdoor use, set for exposed installation |
| 14040010-E | MCO IP69k Protective housing for outdoor use, set with mounting bracket |
| 14040100-E | MCO IP69k Protective housing for outdoor use, set wall/ housing bushing |
| 15024A7700-E | OpDAT REGpro front cover for 6xLC-D/SC-S/E2000 |
| 1502607300-E | OpDAT slide patch panel for 24xLC-D/SC-S/E2000 |



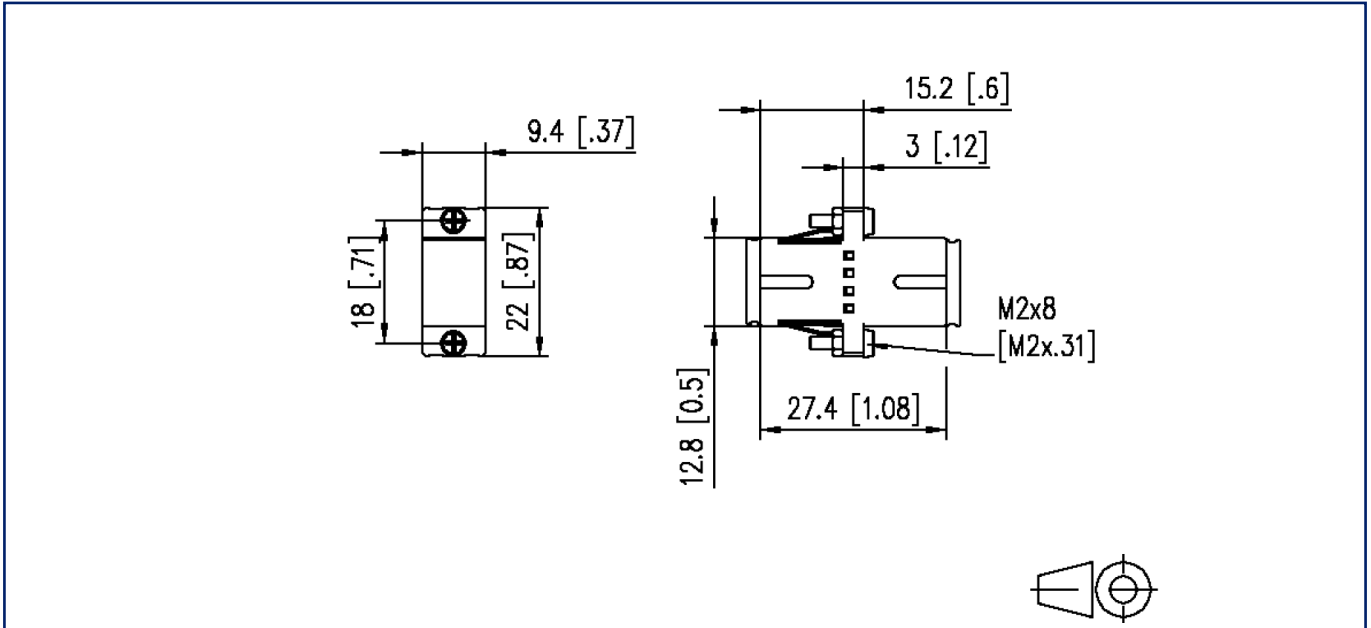
Data sheet
OpDAT adapter SC-Simplex OM3

Page 5/5

P/N
1509001C-I
EAN 4251122190285
2025/09/18
Version: V

Illustrations

Dimensional drawing



© 2025 METZ CONNECT - Technische Änderungen vorbehalten! Subject to modifications! Sous réserve de modifications techniques!

