

Data sheet

Page 1/5

OpDAT MV hybrid 12xmodule cutouts unequipped IP65

P/N

1503600RJ00-B

EAN 4251394669540

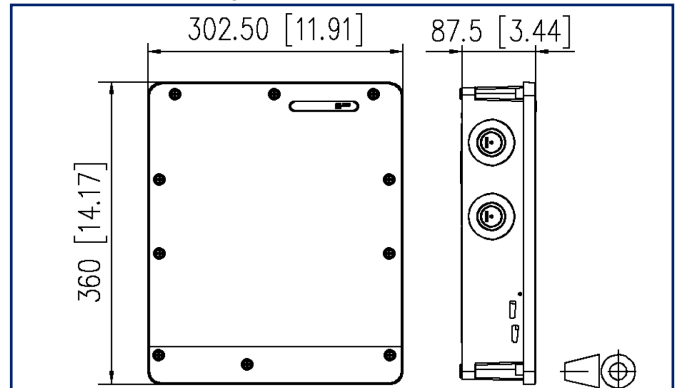
2025/09/18

Version: F

Illustrations



Dimensional drawing



See enlarged drawings at the end of document

Product specification

- distribution housings for copper and fibre optic applications
- equipped with a patch panel to accommodate up to 12 copper or fibre-optic modules
- protection class: IP65
- good access possibilities and simple installation
- the housings can be side by side for larger capacities
- cable entries: 12x M12/M16; 2x M20 and M25
- flexible cable exit for up to 18 cables
- compact, plain design
- dimensions (L x W x H): 87.5 x 302.5 x 360.0 mm



OpDAT MV hybrid 12xmodule cutouts unequipped IP65

P/N
1503600RJ00-B
EAN 4251394669540
 2025/09/18
 Version: F

Technical Data

General Data

Fields of application	structured building cabling harsh environment Distributed building services
IP protection classes	IP65
Design	Wall-mounted distributor
Mounting style	AP
Color	pure white - RAL 9010
Dimensions	
Dimension (L x W x H)	87.5 mm x 302.5 mm x 360 mm
Dimension (L x W x H)	3.445 in. x 11.909 in. x 14.173 in.
Labeling option	yes

Connections/interfaces

Number of ports interface 1	12
Number of ports interface 2	12
Cable access/outlet	from top or bottom

Mechanical data

Cut-out	module cutouts
strain relief	yes

Materials and material properties

Material - Housing	ASA/PC WT25921
Material - Front cover	sheet steel
Material - Front cover finish	galvanized
RoHS	compliant

Classifications

ETIM 7.0	EC001130
ETIM 8.0	EC001130
ETIM 9.0	EC001130
ETIM 10.0	EC001130

Data sheet

Page 3/5

OpDAT MV hybrid 12xmodule cutouts unequipped IP65

P/N

1503600RJ00-B

EAN 4251394669540

2025/09/18

Version: F

Technical Data**Packing details**

Type of packaging 1 pc(s) / box

Notes

Safety instructions The rated voltage of the installed components shouldn't increase over 50 VAC or 75 VDC.
IP protection classes tested without incoming or outgoing components. The protection class may differ due to the connection of components.

Application note

This product is a standard product of METZ CONNECT. METZ CONNECT is not aware of the specific intended use of the goods by the Customer or any customers of the Customer. The Customer guarantees that it has fully and sufficiently tested the use of the goods and any product modifications, product changes or product enhancements with regard to the specific intended use in accordance with the state of the art or in any other way. At METZ CONNECT's request, the Customer shall submit and make available meaningful evidence (e.g. test and laboratory protocols, certifications, etc.).



OpDAT MV hybrid 12xmodule cutouts unequipped IP65

P/N
1503600RJ00-B
EAN 4251394669540
 2025/09/18
 Version: F

Accessories

P/N	Designation
130898-01-I	COAX modul F jack / F jack
130898-02-I	COAX modul IEC jack / F jack
130898-03-I	COAX modul IEC plug / F jack
130908-I-B1	UAE modul Cat.5e white
130909-I	UAE modul Cat.6 jack white
130910-DNV	E-DAT modul Cat.6 _A 8(8) jack DNV
130910-I	E-DAT modul Cat.6 _A 8(8) jack
130A11-29-I	UAE modul 8(8) Cat.6 _A black
130A11-I	UAE modul 8(8) Cat.6 _A white
130B11-25-E	25Gmodul
130B11-DNV	C6 _A modul 180° jack DNV
130B11-E	C6 _A modul 180° jack
130B12-DNV	C6 _A modul 270° jack DNV
130B12-E	C6 _A modul 270° jack
130B13-DNV	C6 _A modul 90° jack DNV
130B13-E	C6 _A modul 90° jack
15036Z0200-E	OpDAT splice cassette holder for OpDAT MV
15036Z0201-E	OpDAT splice cassette block for 6x12 crimp splice holder
15036Z0202-E	OpDAT splice cassette block for 3x12 shrink splice holder
15036Z0301-S	OpDAT MV sealing set FO for 16x2-3 mm cable
15036Z0302-S	OpDAT MV sealing set copper for 12x7-8 mm cable
15036Z0303-S	OpDAT MV sealing set FITH for 9x4-5 mm cable
15036Z0402-E	OpDAT MV connector Ø 34 mm
150811M12-E	Cable gland M12 (Clamping range 2.0 to 6.5 mm)
150811M16-E	Cable gland M16 (Clamping range 4.0 to 10.0 mm)
150811M20-E	Cable gland M20 (Clamping range 7.0 to 12.0 mm)
150811M25-E	Cable gland M25 (Clamping range 10.0 to 16.0 mm)
15091071-I	OpDAT modul LC-Duplex OS2
15091072-I	OpDAT modul LC-Duplex OM3
15091075-I	OpDAT modul LC-Duplex OM4
15091076-I	OpDAT modul LC-Duplex APC OS2
1509107B-I	OpDAT modul LC-Duplex MM
1509107M-I	OpDAT modul LC-Duplex OM5

OpDAT MV hybrid 12xmodule cutouts unequipped IP65

P/N

1503600RJ00-B

EAN 4251394669540

2025/09/18

Version: F

Illustrations

Dimensional drawing

