

Data sheet

OpDAT HPS with lock, unequipped

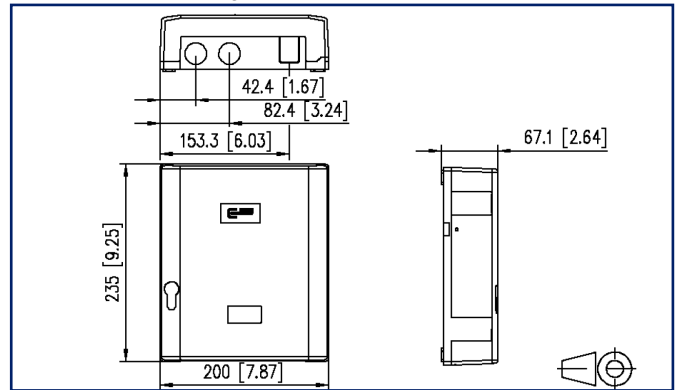
Page 1/4

P/N
150350000-F
EAN 4251122198816
2025/07/09
Version: K

Illustrations



Dimensional drawing



See enlarged drawings at the end of document

Product specification

- Unequipped fiber optic splice and distributor housing
- Modular adapter plate with cutouts suitable for: 9x LC-D, 9x SC-S, 9x E2000-S, 6x SC-D, 6x LC-Q, 6xE2000-D
- Cover locking by locking latch, can be sealed
- Cover can be very easily removed to facilitate mounting
- Splice tray for easy mounting with a maximum of protection for the fibers. With place to store fiber excess lengths
- Strain relief for cables and patch cords
- Patch cord output with flexible lamellar seal
- Cable entry prepared with 2x M20, 2x M25 cable glands
- Possibility to fasten optical adapters
- Structured ASA (acrylic ester-styrene-acrylonitrile) in RAL 7035, extremely resistant plastic material, impact resistant and weatherproof
- Protection class according to IEC 60529: IP54 protected
- Variants: with or without lock



Data sheet
OpDAT HPS with lock, unequipped

Technical Data

General Data

Fields of application	structured building cabling office areas data center
IP protection classes	IP54
Features variant	unequipped
Design	AP
Transmission technology	Fiber optic
Color housing	RAL 7035 - light gray
Dimensions	
Dimension (L x W x H)	67.1 mm x 200 mm x 235 mm
Dimension (L x W x H)	2.642 in. x 7.874 in. x 9.252 in.
Weight	900 g
Weight	1.9842 lb
Sealable	yes
Lockable	yes

Mechanical data

strain relief	yes
---------------	-----

Materials and material properties

Material - Dust protection	PC (polycarbonate)
Halogen free	yes
REACH	compliant, 7439-92-1 – lead

Environmental conditions

Temperature (min. - max.)	
Temperature - Storage °C	-10 °C - 60 °C
Temperature - Storage °F	14 °F - 140 °F
Temperature - Operating °C	-5 °C - 60 °C
Temperature - Operating °F	23 °F - 140 °F
Temperature - Installation °C	-5 °C - 50 °C
Temperature - Installation °F	23 °F - 122 °F

Data sheet

Page 3/4

OpDAT HPS with lock, unequipped

P/N

1503500000-F

EAN 4251122198816

2025/07/09

Version: K

Technical Data**Classifications**

ETIM 7.0	EC000058
ETIM 8.0	EC000058
ETIM 9.0	EC000058
ETIM 10.0	EC000058

Packing details

Type of packaging 1 pc(s) / box

Application note

This product is a standard product of METZ CONNECT. METZ CONNECT is not aware of the specific intended use of the goods by the Customer or any customers of the Customer. The Customer guarantees that it has fully and sufficiently tested the use of the goods and any product modifications, product changes or product enhancements with regard to the specific intended use in accordance with the state of the art or in any other way. At METZ CONNECT's request, the Customer shall submit and make available meaningful evidence (e.g. test and laboratory protocols, certifications, etc.).



Data sheet
OpDAT HPS with lock, unequipped

Page 4/4

P/N
1503500000-F
EAN **4251122198816**
2025/07/09
Version: K

Illustrations

Dimensional drawing

