

Data sheet

Page 1/6

OpDAT Wall-mounted distributor M 48xE2-S APC OS2 splice

P/N
1503395948-E

EAN 4251394650913

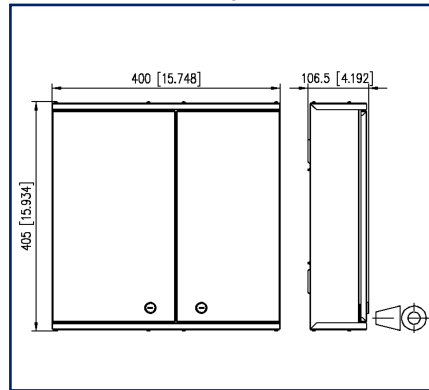
2025/07/01

Version: C

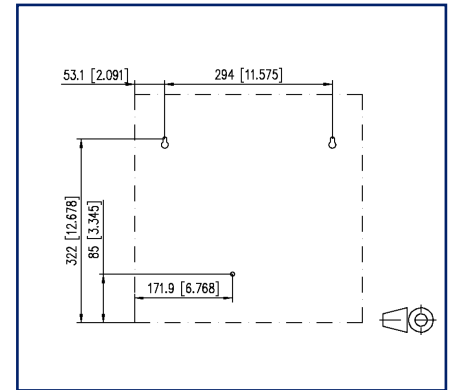
Illustrations



Dimensional drawing



Drill pattern



See enlarged drawings at the end of document

Product specification

- distributor for universal use in floor cabling or as a building distribution point in the equipment room
- equipped with E2-S APC-adapters and pigtails
- pigtails inserted and stripped in standard splice tray with crimp splice holders
- unused openings are closed by blind plugs
- wall-mount housing with two lockable swing doors, two different locks to separate network and building cabling
- easy, space saving wall mounting
- easy access possibilities and a secure routing of the pigtails
- four cable infeeds (scope of supply): 2x for M20/PG16, 2x for patch cords
- variants: size S: 305x300x107 mm or size M: 405x400x107 mm



OpDAT Wall-mounted distributor M 48xE2-S APC OS2 splice

P/N

1503395948-E

EAN 4251394650913

2025/07/01

Version: C

Technical Data

General Data

| | |
|-----------------------------------------------|------------------------------------------------------------|
| Fields of application | structured building cabling office areas data center |
| Mechanical measurement according to MICE | M1 |
| Ingress measurement according to MICE | I1 |
| Climatic measurement according to MICE | C1 |
| Electromagnetic measurement according to MICE | E3 |
| Design | Wall-mounted distributor |
| Mounting style | AP |
| Transmission technology | Fiber optic |
| Port numbering | yes |
| Color | green |
| Dimensions | |
| Dimension (L x W x H) | 106.5 mm x 400 mm x 405 mm |
| Dimension (L x W x H) | 4.193 in. x 15.748 in. x 15.945 in. |
| Cable Type | pigtail(s) |
| Fiber class | OS2 |
| Mode type of the fiber | Singlemode |
| Fiber construction | 9/125 µm |
| Labeling option | printed numbers |

Connections/interfaces

| | |
|--------------------------------------|--------------------|
| Connector technology interface 1 | E2000-S Couplers |
| Connector technology interface 2 | E2000-S Couplers |
| Number of ports interface 1 | 48 |
| Number of ports interface 2 | 48 |
| Number of equipped ports interface 1 | 48 |
| Number of ports interface 2 equipped | 48 |
| Cable access/outlet | from top or bottom |



OpDAT Wall-mounted distributor M 48xE2-S APC OS2 splice

P/N

1503395948-E

EAN 4251394650913

2025/07/01

Version: C

Technical Data

Mechanical data

| | |
|----------------|-----------------|
| Cut-out | SC, LC-D, E2000 |
| Connector type | simplex |

Materials and material properties

| | |
|-------------------------------|------------------|
| Material - Housing | sheet steel |
| Material - Housing finish | powder-coated |
| Material - Front cover | sheet steel |
| Material - Front cover finish | powder-coated |
| Material - Sleeve | ceramic, slotted |
| Material - Coupler housing | Plastics |
| Halogen free | yes |
| RoHS | compliant |

Standards/Regulations

Optical fibers: Indoor optical cables

| | |
|----------------------------------------------------------------------------------------------------|----------------------------------------------|
| Sectional specification for class B single-mode fibres | ISO/IEC 60793-2-50 type B.1.3 & B6_a |
| Optical fibers - Interconnecting devices and passive components - basic test and measuring methods | |
| Fibre optic interconnecting devices and passive components - Insertion loss | IEC 61300-3-4 |
| Fibre optic interconnecting devices and passive components - Return loss | IEC 61300-3-6 |
| Fibre optic interconnecting devices and passive components - Visual inspection of plug end face | IEC 61300-3-35 |
| Standard colours for insulation for low-frequency cables & wires | IEC 60304 |
| ITU-T standard | ITU-T G.657.A1 compatible with ITU-T G.652.D |

Classifications

| | |
|-----------|----------|
| ETIM 7.0 | EC001130 |
| ETIM 8.0 | EC001130 |
| ETIM 9.0 | EC001130 |
| ETIM 10.0 | EC001130 |

Data sheet

Page 4/6

OpDAT Wall-mounted distributor M 48xE2-S APC OS2 splice

P/N

1503395948-E

EAN 4251394650913

2025/07/01

Version: C

Technical Data**Packing details**

Type of packaging 1 pc(s) / box

Application note

This product is a standard product of METZ CONNECT. METZ CONNECT is not aware of the specific intended use of the goods by the Customer or any customers of the Customer. The Customer guarantees that it has fully and sufficiently tested the use of the goods and any product modifications, product changes or product enhancements with regard to the specific intended use in accordance with the state of the art or in any other way. At METZ CONNECT's request, the Customer shall submit and make available meaningful evidence (e.g. test and laboratory protocols, certifications, etc.).



OpDAT Wall-mounted distributor M 48xE2-S APC OS2 splice

P/N

1503395948-E

EAN 4251394650913

2025/07/01

Version: C

Accessories

| P/N | Designation |
|-------------|---------------------------------------------------------------------------------|
| 15032Z089-E | OpDAT WV rotary bolt |
| 15033Z001-E | Cable infeed for 4xM20 for OpDAT Wall-mounted distributor M |
| 15033Z002-E | Cable infeed for 2xM20 and 4xM2 for OpDAT Wall-mounted distributor M |
| 15033Z003-E | Cable infeed for 3xM25 for OpDAT Wall-mounted distributor M |
| 15033Z004-E | Cable infeed for three mounting plates VIK for OpDAT Wall-mounted distributor M |
| 15033Z005-E | Cable infeed for patch cords for OpDAT Wall-mounted distributor M |
| 15033Z006-E | Brush strip with single cable catch for OpDAT Wall-mounted distributor M |
| 15033Z007-E | Brush strip without single cable catch for OpDAT Wall-mounted distributor M |
| 150800119-E | One-Click™- Cleaner Mini SC/ST/FC/E2000 |
| 15090200-E | OpDAT cover for splice tray |



OpDAT Wall-mounted distributor M 48xE2-S APC OS2 splice

P/N

1503395948-E

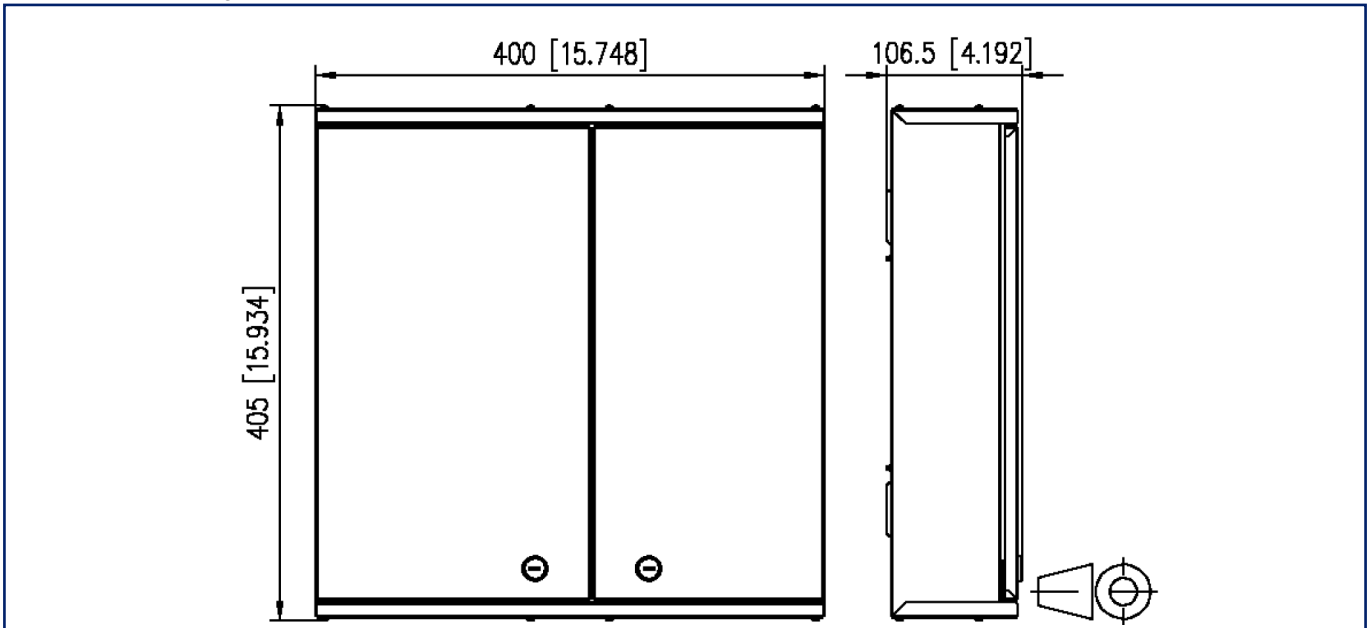
EAN 4251394650913

2025/07/01

Version: C

Illustrations

Dimensional drawing



Drill pattern

