

# Data sheet

Page 1/6

## OpDAT Wall-mounted distributor M 24xSC-D OM4 splice

P/N  
150337BB24-E

EAN 4251122198144

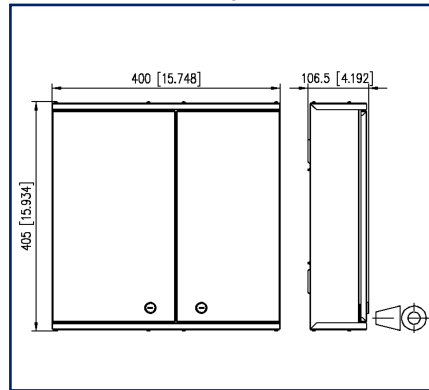
2025/05/27

Version: N

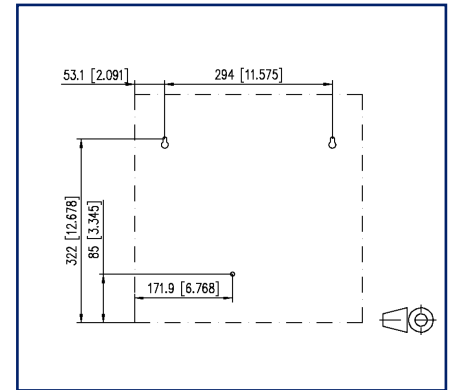
### Illustrations



Dimensional drawing



Drill pattern



See enlarged drawings at the end of document

### Product specification

- distributor for universal use in floor cabling or as a building distribution point in the equipment room
- equipped with SC-D-adapters and pigtails
- pigtails inserted and stripped in standard splice tray with crimp splice holders
- unused openings are closed by blind plugs
- wall-mount housing with two lockable swing doors, two different locks to separate network and building cabling
- easy, space saving wall mounting
- easy access possibilities and a secure routing of the pigtails
- four cable infeeds (scope of supply): 2x for M20/PG16, 2x for patch cords
- variants: size S: 305x300x107 mm or size M: 405x400x107 mm



# OpDAT Wall-mounted distributor M 24xSC-D OM4 splice

P/N

150337BB24-E

EAN 4251122198144

2025/05/27

Version: N

## Technical Data

### General Data

Fields of application	structured building cabling office areas data center
Mechanical measurement according to MICE	M1
Ingress measurement according to MICE	I1
Climatic measurement according to MICE	C1
Electromagnetic measurement according to MICE	E3
Design	Wall-mounted distributor
Mounting style	AP
Transmission technology	Fiber optic
Port numbering	yes
Color	violet
Dimensions	
Dimension (L x W x H)	106.5 mm x 400 mm x 405 mm
Dimension (L x W x H)	4.193 in. x 15.748 in. x 15.945 in.
Number of cables/ buffered fibers	48
Cable Type	pigtail(s)
Fiber class	OM4
Mode type of the fiber	Multimode
Fiber construction	50/125 µm
Labeling option	printed numbers

### Connections/interfaces

Connector technology interface 1	SC-D Couplers
Connector technology interface 2	SC-D Couplers
Number of ports interface 1	24
Number of ports interface 2	24
Number of equipped ports interface 1	24
Number of ports interface 2 equipped	24
Cable access/outlet	from top or bottom

# OpDAT Wall-mounted distributor M 24xSC-D OM4 splice

P/N

150337BB24-E

EAN 4251122198144

2025/05/27

Version: N

## Technical Data

### Mechanical data

Cut-out	SC-D, LC-Q, ST-D
Connector type	duplex

### Materials and material properties

Material - Housing	sheet steel
Material - Housing finish	powder-coated
Material - Front cover	sheet steel
Material - Front cover finish	powder-coated
Material - Sleeve	ceramic, slotted
Material - Coupler housing	Plastics
Halogen free	yes
RoHS	compliant

### Standards/Regulations

FO connector interfaces	IEC 61754-4
Optical fibers: Product specifications	
Sectional specification for category A1 multimode fibres	ISO/IEC 60793-2-10 (A1a.3)
Optical fibers - Interconnecting devices and passive components - basic test and measuring methods	
Fibre optic interconnecting devices and passive components - Insertion loss	IEC 61300-3-4
Fibre optic interconnecting devices and passive components - Return loss	IEC 61300-3-6
Fibre optic interconnecting devices and passive components - Visual inspection of plug end face	IEC 61300-3-35
Standard colours for insulation for low-frequency cables & wires	IEC 60304

### Classifications

ETIM 7.0	EC001130
ETIM 8.0	EC001130
ETIM 9.0	EC001130

### Packing details

Type of packaging	1 pc(s) / box
-------------------	---------------

Data sheet

Page 4/6

**OpDAT Wall-mounted distributor M 24xSC-D OM4 splice**

P/N

150337BB24-E

EAN 4251122198144

2025/05/27

Version: N

**Technical Data****Application note**

This product is a standard product of METZ CONNECT. METZ CONNECT is not aware of the specific intended use of the goods by the Customer or any customers of the Customer. The Customer guarantees that it has fully and sufficiently tested the use of the goods and any product modifications, product changes or product enhancements with regard to the specific intended use in accordance with the state of the art or in any other way. At METZ CONNECT's request, the Customer shall submit and make available meaningful evidence (e.g. test and laboratory protocols, certifications, etc.).



## OpDAT Wall-mounted distributor M 24xSC-D OM4 splice

P/N

150337BB24-E

EAN 4251122198144

2025/05/27

Version: N

### Accessories

P/N	Designation
15032Z089-E	OpDAT WV rotary bolt
15033Z001-E	Cable infeed for 4xM20 for OpDAT Wall-mounted distributor M
15033Z002-E	Cable infeed for 2xM20 and 4xM2 for OpDAT Wall-mounted distributor M
15033Z003-E	Cable infeed for 3xM25 for OpDAT Wall-mounted distributor M
15033Z004-E	Cable infeed for three mounting plates VIK for OpDAT Wall-mounted distributor M
15033Z005-E	Cable infeed for patch cords for OpDAT Wall-mounted distributor M
15033Z006-E	Brush strip with single cable catch for OpDAT Wall-mounted distributor M
15033Z007-E	Brush strip without single cable catch for OpDAT Wall-mounted distributor M
150800119-E	One-Click™- Cleaner Mini SC/ST/FC/E2000
15081106-E	OpDAT mounting plate VIK
150811M20-E	Cable gland M20 (Clamping range 7.0 to 12.0 mm)
150811M25-E	Cable gland M25 (Clamping range 10.0 to 16.0 mm)
150811P1613-E	Thread reducer PG16 to PG13.5
15090200-E	OpDAT cover for splice tray
15090401-E	OpDAT crimp splice protection (12 pieces)
15090401-I	OpDAT crimp splice protection (150 pieces)



# OpDAT Wall-mounted distributor M 24xSC-D OM4 splice

P/N

150337BB24-E

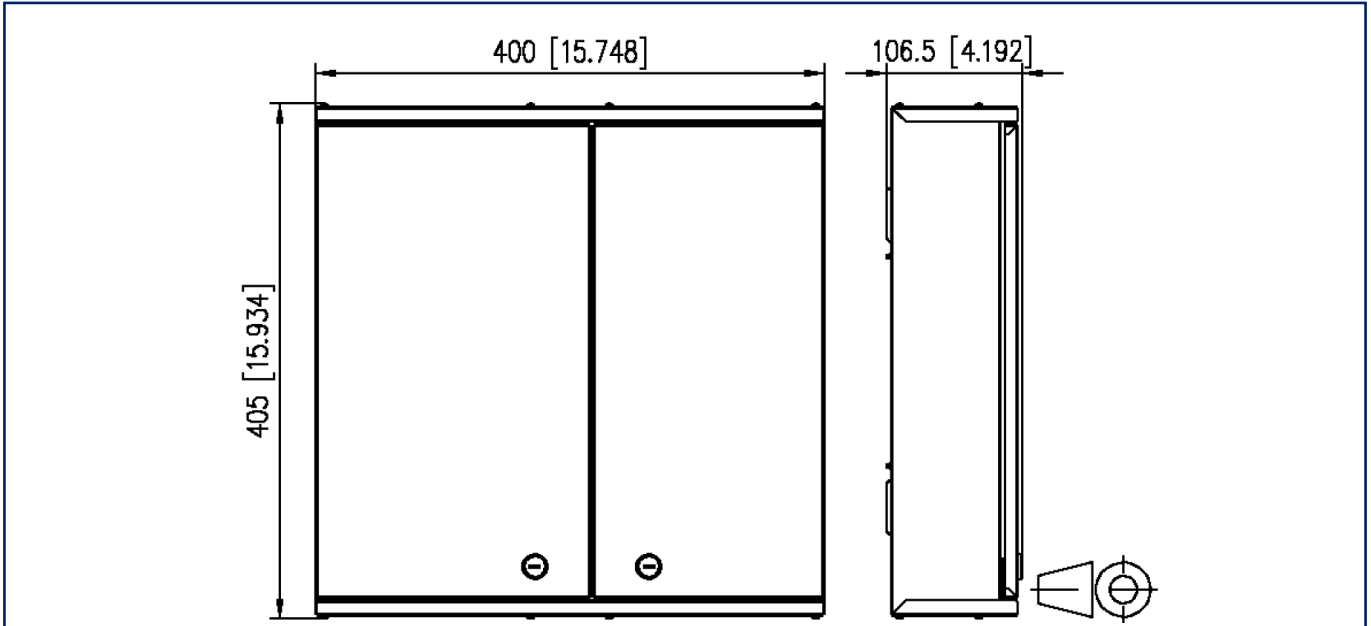
EAN 4251122198144

2025/05/27

Version: N

## Illustrations

Dimensional drawing



Drill pattern

