

Data sheet

Page 1/5

OpDAT Wall-mounted distributor M for Â 24xSC-D/ST-D unequipped

P/N
150330BA00-E

EAN 4251122198274

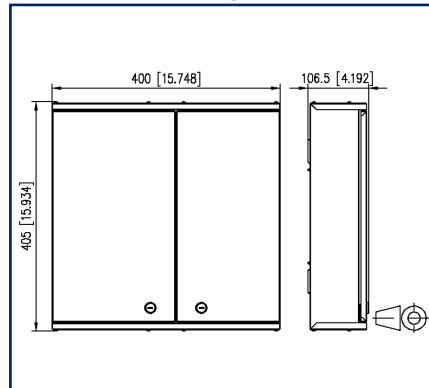
2025/07/23

Version: D

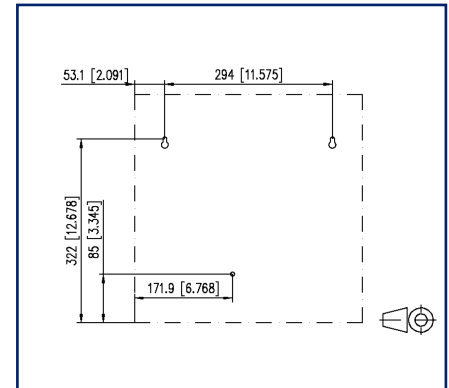
Illustrations



Dimensional drawing



Drill pattern



See enlarged drawings at the end of document

Product specification

- distributor for universal use in floor cabling or as a building distribution point in the equipment room
- wall-mount housing with two lockable swing doors, two different locks to separate network and building cabling
- unequipped with 24x SC-D/LC-Q/ST-D breakouts
- easy, space saving wall mounting
- easy access possibilities and a secure routing of the Prefabs
- Holder for up to 8 standard splice trays mounted
- four cable infeeds (scope of supply): 1x for Prefabs with universal cables, 1x for M20/PG16, 2x for patch cords
- variants: size S: 305x300x107 mm or size M: 405x400x107 mm



OpDAT Wall-mounted distributor M for Â 24xSC-D/ST-D unequipped

P/N

150330BA00-E

EAN 4251122198274

2025/07/23

Version: D

Technical Data

General Data

Fields of application	structured building cabling office areas data center
Mechanical measurement according to MICE	M1
Ingress measurement according to MICE	I1
Climatic measurement according to MICE	C1
Electromagnetic measurement according to MICE	E3
Design	Wall-mounted distributor
Mounting style	AP
Transmission technology	Fiber optic
Port numbering	yes
Dimensions	
Dimension (L x W x H)	106.5 mm x 400 mm x 405 mm
Dimension (L x W x H)	4.193 in. x 15.748 in. x 15.945 in.
Labeling option	printed numbers

Connections/interfaces

Connector technology interface 1	SC-D/ST-D Couplers
Connector technology interface 2	SC-D/ST-D Couplers
Number of ports interface 1	24
Number of ports interface 2	24
Cable access/outlet	from top or bottom

Mechanical data

Cut-out	SC-D, LC-Q, ST-D
---------	------------------

Materials and material properties

Halogen free	yes
RoHS	compliant

Classifications

ETIM 7.0	EC001130
ETIM 8.0	EC001130
ETIM 9.0	EC001130
ETIM 10.0	EC001130



Data sheet

Page 3/5

**OpDAT Wall-mounted distributor M for
Â 24xSC-D/ST-D unequipped**

P/N

150330BA00-E

EAN 4251122198274

2025/07/23

Version: D

Technical Data**Packing details**

Type of packaging 1 pc(s) / box

Application note

This product is a standard product of METZ CONNECT. METZ CONNECT is not aware of the specific intended use of the goods by the Customer or any customers of the Customer. The Customer guarantees that it has fully and sufficiently tested the use of the goods and any product modifications, product changes or product enhancements with regard to the specific intended use in accordance with the state of the art or in any other way. At METZ CONNECT's request, the Customer shall submit and make available meaningful evidence (e.g. test and laboratory protocols, certifications, etc.).



Data sheet

Page 4/5

**OpDAT Wall-mounted distributor M for
Â 24xSC-D/ST-D unequipped**

P/N

150330BA00-E

EAN 4251122198274

2025/07/23

Version: D

Accessories

P/N	Designation
15032Z089-E	OpDAT WV rotary bolt
15033Z001-E	Cable infeed for 4xM20 for OpDAT Wall-mounted distributor M
15033Z002-E	Cable infeed for 2xM20 and 4xM2 for OpDAT Wall-mounted distributor M
15033Z003-E	Cable infeed for 3xM25 for OpDAT Wall-mounted distributor M
15033Z004-E	Cable infeed for three mounting plates Prefab for OpDAT Wall-mounted distributor M
15033Z005-E	Cable infeed for patch cords for OpDAT Wall-mounted distributor M
15033Z007-E	Brush strip without single cable catch for OpDAT Wall-mounted distributor M
150800119-E	One-Click™ - Cleaner Mini SC/ST/FC/E2000



Data sheet

Page 5/5

OpDAT Wall-mounted distributor M for Â 24xSC-D/ST-D unequipped

P/N

150330BA00-E

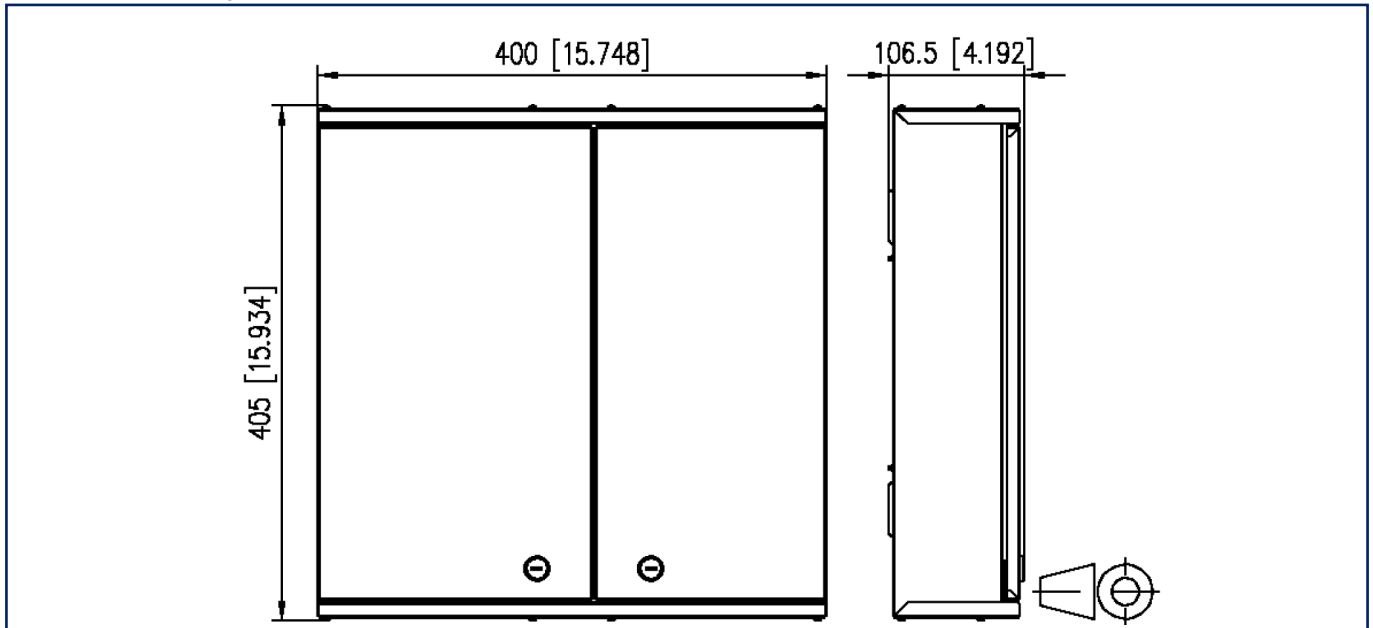
EAN 4251122198274

2025/07/23

Version: D

Illustrations

Dimensional drawing



Drill pattern

