

# Data sheet

Page 1/5

## OpDAT Wall-mounted distributor M 48xE2-S APC OS2 Prefab

P/N  
1503305948-E

EAN 4251394666648

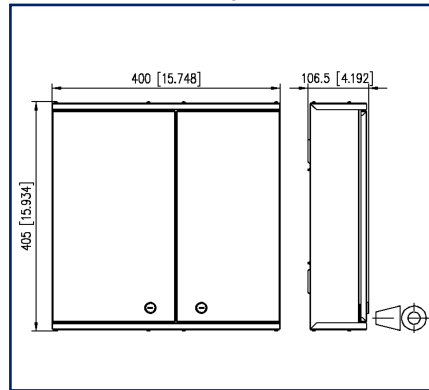
2025/07/23

Version: D

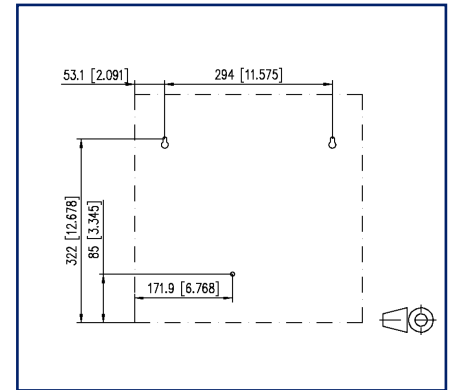
### Illustrations



Dimensional drawing



Drill pattern



See enlarged drawings at the end of document

### Product specification

- distributor for universal use in floor cabling or as a building distribution point in the equipment room
- equipped with E2-S APC-adapters
- unused openings are closed by blind plugs
- wall-mount housing with two lockable swing doors, two different locks to separate network and building cabling
- easy, space saving wall mounting
- easy access possibilities and a secure routing of the pigtails
- four cable infeeds (scope of supply): 1x for Prefabs with universal cables, 1x for M20/PG16, 2x for patch cords
- variants: size S: 305x300x107 mm or size M: 405x400x107 mm



# OpDAT Wall-mounted distributor M 48xE2-S APC OS2 Prefab

P/N

1503305948-E

EAN 4251394666648

2025/07/23

Version: D

## Technical Data

### General Data

Fields of application	structured building cabling office areas data center
Mechanical measurement according to MICE	M1
Ingress measurement according to MICE	I1
Climatic measurement according to MICE	C1
Electromagnetic measurement according to MICE	E3
Design	Wall-mounted distributor
Mounting style	AP
Transmission technology	Fiber optic
Port numbering	yes
Color	green
Dimensions	
Dimension (L x W x H)	106.5 mm x 400 mm x 405 mm
Dimension (L x W x H)	4.193 in. x 15.748 in. x 15.945 in.
Fiber class	OS2
Mode type of the fiber	Singlemode
Labeling option	printed numbers

### Connections/interfaces

Connector technology interface 1	E2000-S Couplers
Connector technology interface 2	E2000-S Couplers
Number of ports interface 1	48
Number of ports interface 2	48
Number of equipped ports interface 1	48
Number of ports interface 2 equipped	48
Cable access/outlet	from top or bottom

### Mechanical data

Cut-out	SC, LC-D, E2000
Connector type	simplex

# OpDAT Wall-mounted distributor M 48xE2-S APC OS2 Prefab

P/N

1503305948-E

EAN 4251394666648

2025/07/23

Version: D

## Technical Data

### Materials and material properties

Material - Housing	sheet steel
Material - Housing finish	powder-coated
Material - Front cover	sheet steel
Material - Front cover finish	powder-coated
Material - Sleeve	ceramic, slotted
Material - Coupler housing	Plastics
Halogen free	yes
RoHS	compliant

### Standards/Regulations

FO connector interfaces	IEC 61754-15
-------------------------	--------------

### Classifications

ETIM 7.0	EC001130
ETIM 8.0	EC001130
ETIM 9.0	EC001130
ETIM 10.0	EC001130

### Packing details

Type of packaging	1 pc(s) / box
-------------------	---------------

### Application note

This product is a standard product of METZ CONNECT. METZ CONNECT is not aware of the specific intended use of the goods by the Customer or any customers of the Customer. The Customer guarantees that it has fully and sufficiently tested the use of the goods and any product modifications, product changes or product enhancements with regard to the specific intended use in accordance with the state of the art or in any other way. At METZ CONNECT's request, the Customer shall submit and make available meaningful evidence (e.g. test and laboratory protocols, certifications, etc.).

Data sheet

Page 4/5

**OpDAT Wall-mounted distributor M 48xE2-S APC OS2 Prefab**

P/N

1503305948-E

EAN 4251394666648

2025/07/23

Version: D

**Accessories**

P/N	Designation
15032Z089-E	OpDAT WV rotary bolt
15033Z001-E	Cable infeed for 4xM20 for OpDAT Wall-mounted distributor M
15033Z002-E	Cable infeed for 2xM20 and 4xM2 for OpDAT Wall-mounted distributor M
15033Z003-E	Cable infeed for 3xM25 for OpDAT Wall-mounted distributor M
15033Z004-E	Cable infeed for three mounting plates Prefab for OpDAT Wall-mounted distributor M
15033Z005-E	Cable infeed for patch cords for OpDAT Wall-mounted distributor M
15033Z007-E	Brush strip without single cable catch for OpDAT Wall-mounted distributor M
150800119-E	One-Click™ - Cleaner Mini SC/ST/FC/E2000



# OpDAT Wall-mounted distributor M 48xE2-S APC OS2 Prefab

P/N

1503305948-E

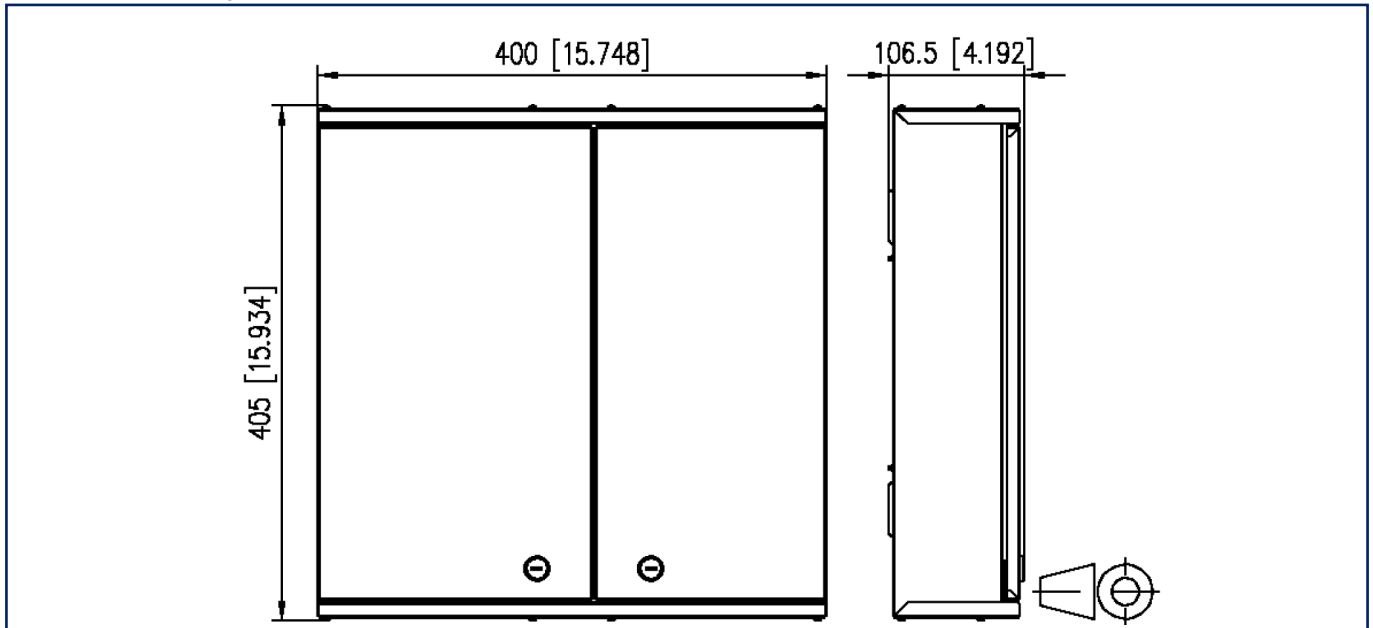
EAN 4251394666648

2025/07/23

Version: D

## Illustrations

Dimensional drawing



Drill pattern

