

# Data sheet

## OpDAT WV rotary bolt

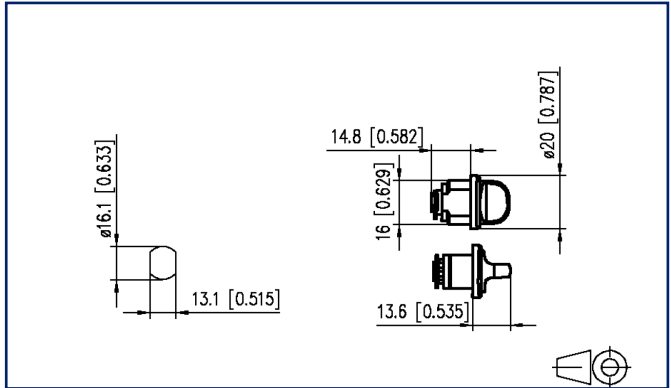
Page 1/7

P/N  
15032Z089-E  
EAN 4251394669991  
2025/07/02  
Version: C

### Illustrations



### Dimensional drawing



See enlarged drawings at the end of document

### Product specification

- rotary bolt for simple access the wall-mounted distributors
- suitable for OpDAT wall-mounted distributor sizes S and M
- included in delivery: 2 rotary bolts



# Data sheet

## OpDAT WV rotary bolt

Page 2/7

P/N  
15032Z089-E  
EAN 4251394669991  
2025/07/02  
Version: C

### Technical Data

#### General Data

Mounting style Accessories

#### Materials and material properties

Material metal

#### Classifications

ETIM 7.0	EC000327
ETIM 8.0	EC000327
ETIM 9.0	EC000327
ETIM 10.0	EC000327

#### Packing details

Type of packaging 2 pc(s) / box

#### Application note

This product is a standard product of METZ CONNECT. METZ CONNECT is not aware of the specific intended use of the goods by the Customer or any customers of the Customer. The Customer guarantees that it has fully and sufficiently tested the use of the goods and any product modifications, product changes or product enhancements with regard to the specific intended use in accordance with the state of the art or in any other way. At METZ CONNECT's request, the Customer shall submit and make available meaningful evidence (e.g. test and laboratory protocols, certifications, etc.).



**Data sheet**  
**OpDAT WV rotary bolt**

**P/N**  
**15032Z089-E**  
**EAN 4251394669991**  
2025/07/02  
Version: C

**Accessories from**

P/N	Designation
1503205906-E	OpDAT Wall-mounted distributor S 06xE2-S APC OS2 VIK
1503205912-E	OpDAT Wall-mounted distributor S 12xE2-S APC OS2 VIK
1503205924-E	OpDAT Wall-mounted distributor S 24xE2-S APC OS2 VIK
1503207406-E	OpDAT Wall-mounted distributor S 6xLC-D OS2 VIK
1503207412-E	OpDAT Wall-mounted distributor S 12xLC-D OS2 VIK
1503207424-E	OpDAT Wall-mounted distributor S 24xLC-D OS2 VIK
1503207506-E	OpDAT Wall-mounted distributor S 6xLC-D OM4 VIK
1503207512-E	OpDAT Wall-mounted distributor S 12xLC-D OM4 VIK
1503207524-E	OpDAT Wall-mounted distributor S 24xLC-D OM4 VIK
1503207604-E	OpDAT Wall-mounted distributor S 4xLC-Duplex APC OS2 VIK
1503207606-E	OpDAT Wall-mounted distributor S 6xLC-D APC OS2 VIK
1503207612-E	OpDAT Wall-mounted distributor S 12xLC-D APC OS2 VIK
1503207620-E	OpDAT Wall-mounted distributor S 20xLC-Duplex APC OS2 VIK
1503207624-E	OpDAT Wall-mounted distributor S 24xLC-D APC OS2 VIK
1503207700-E	OpDAT Wall-mounted distributor S for 24xLC-D/SC/E2 unequipped
1503207706-E	OpDAT Wall-mounted distributor S 6xLC-D OM3 VIK
1503207712-E	OpDAT Wall-mounted distributor S 12xLC-D OM3 VIK
1503207724-E	OpDAT Wall-mounted distributor S 24xLC-D OM3 VIK
1503207A06-E	OpDAT Wall-mounted distributor S 6xLC-Q APC OS2 VIK
1503207A12-E	OpDAT Wall-mounted distributor S 12xLC-Q APC OS2 VIK
1503207M06-E	OpDAT Wall-mounted distributor S 6xLC-D OM5 VIK
1503207M12-E	OpDAT Wall-mounted distributor S 12xLC-D OM5 VIK
1503207M24-E	OpDAT Wall-mounted distributor S 24xLC-D OM5 VIK
150320BA00-E	OpDAT Wall-mounted distributor S for 12xSC-D/ST-D unequipped
150320BA06-E	OpDAT Wall-mounted distributor S 6xSC-D OM3 VIK
150320BA12-E	OpDAT Wall-mounted distributor S 12xSC-D OM3 VIK
150320BB06-E	OpDAT Wall-mounted distributor S 6xSC-D OM4 VIK
150320BB12-E	OpDAT Wall-mounted distributor S 12xSC-D OM4 VIK
150320BM06-E	OpDAT Wall-mounted distributor S 6xSC-D OM5 VIK
150320BM12-E	OpDAT Wall-mounted distributor S 12xSC-D OM5 VIK

© 2025 METZ CONNECT - Technische Änderungen vorbehalten! Subject to modifications! Sous réserve de modifications techniques!

**Data sheet**  
**OpDAT WV rotary bolt**

**Accessories from**

150320E206-E	OpDAT Wall-mounted distributor S 6xSC-D OS2 VIK
150320E212-E	OpDAT Wall-mounted distributor S 12xSC-D OS2 VIK
150320F206-E	OpDAT Wall-mounted distributor S 6xSC-D APC OS2 VIK
150320F212-E	OpDAT Wall-mounted distributor S 12xSC-D APC OS2 VIK
1503257706-E	OpDAT Wall-mounted distributor S 6xLC-D OM3 splice
1503257712-E	OpDAT Wall-mounted distributor S 12xLC-D OM3 splice
1503257716-E	OpDAT Wall-mounted distributor S 16xLC-Duplex OM3 splice
1503257724-E	OpDAT Wall-mounted distributor S 24xLC-D OM3 splice
150325BA06-E	OpDAT Wall-mounted distributor S 6xSC-D OM3 splice
150325BA12-E	OpDAT Wall-mounted distributor S 12xSC-D OM3 splice
1503277506-E	OpDAT Wall-mounted distributor S 6xLC-D OM4 splice
1503277512-E	OpDAT Wall-mounted distributor S 12xLC-D OM4 splice
1503277524-E	OpDAT Wall-mounted distributor S 24xLC-D OM4 splice
150327BB06-E	OpDAT Wall-mounted distributor S 6xSC-D OM4 splice
150327BB12-E	OpDAT Wall-mounted distributor S 12xSC-D OM4 splice
1503287M06-E	OpDAT Wall-mounted distributor S 6xLC-D OM5 splice
1503287M12-E	OpDAT Wall-mounted distributor S 12xLC-D OM5 splice
1503287M24-E	OpDAT Wall-mounted distributor S 24xLC-D OM5 splice
150328BM06-E	OpDAT Wall-mounted distributor S 6xSC-D OM5 splice
150328BM12-E	OpDAT Wall-mounted distributor S 12xSC-D OM5 splice
1503295906-E	OpDAT Wall-mounted distributor S 6xE2-S APC OS2 splice
1503295912-E	OpDAT Wall-mounted distributor S 12xE2-S APC OS2 splice
1503295924-E	OpDAT Wall-mounted distributor S 24xE2-S APC OS2 splice
1503297406-E	OpDAT Wall-mounted distributor S 6xLC-D OS2 splice
1503297412-E	OpDAT Wall-mounted distributor S 12xLC-D OS2 splice
1503297424-E	OpDAT Wall-mounted distributor S 24xLC-D OS2 splice
1503297602-E	OpDAT Wall-mounted distributor S 2xLC-Duplex APC OS2 splice
1503297604-E	OpDAT Wall-mounted distributor S 4xLC-Duplex APC OS2 splice
1503297604-E4	OpDAT Wall-mounted distributor S 4xLC-Duplex APC OS2 splice, sets of 4
1503297606-E	OpDAT Wall-mounted distributor S 6xLC-D APC OS2 splice
1503297608-E	OpDAT Wall-mounted distributor S 8xLC-Duplex APC OS2 splice

Data sheet  
OpDAT WV rotary bolt

**Accessories from**

1503297612-E	OpDAT Wall-mounted distributor S 12xLC-D APC OS2 splice
1503297612-E4	OpDAT Wall-mounted distributor S 12xLC-Duplex APC OS2 splice, sets of 4
1503297624-E	OpDAT Wall-mounted distributor S 24xLC-D APC OS2 splice
150329E204-E	OpDAT Wall-mounted distributor S 4xSC-Duplex OS2 splice
150329E206-E	OpDAT Wall-mounted distributor S 6xSC-D OS2 splice
150329E212-E	OpDAT Wall-mounted distributor S 12xSC-D OS2 splice
150329F206-E	OpDAT Wall-mounted distributor S 6xSC-D APC OS2 splice
150329F212-E	OpDAT Wall-mounted distributor S 12xSC-D APC OS2 splice
1503305948-E	OpDAT Wall-mounted distributor M 48xE2-S APC OS2 VIK
1503307424-E	OpDAT Wall-mounted distributor M 24xLC-Duplex OS2 VIK
1503307448-E	OpDAT Wall-mounted distributor M 48xLC-D OS2 VIK
1503307548-E	OpDAT Wall-mounted distributor M 48xLC-D OM4 VIK
1503307648-E	OpDAT Wall-mounted distributor M 48xLC-D APC OS2 VIK
1503307700-E	OpDAT Wall-mounted distributor for M 48xLC-D/SC/E2 unequipped
1503307748-E	OpDAT Wall-mounted distributor M 48xLC-D OM3 VIK
1503307A18-E	OpDAT Wall-mounted distributor M 18xLC-Q APC OS2 VIK
1503307A24-E	OpDAT Wall-mounted distributor M 24xLC-Q APC OS2 VIK
1503307M48-E	OpDAT Wall-mounted distributor M 48xLC-D OM5 VIK
150330BA00-E	OpDAT Wall-mounted distributor M for 24xSC-D/ST-D unequipped
150330BA24-E	OpDAT Wall-mounted distributor M 24xSC-D OM3 VIK
150330BB24-E	OpDAT Wall-mounted distributor M 24xSC-D OM4 VIK
150330E224-E	OpDAT Wall-mounted distributor M 24xSC-D OS2 VIK
150330F224-E	OpDAT Wall-mounted distributor M 24xSC-D APC OS2 VIK
1503357748-E	OpDAT Wall-mounted distributor M 48xLC-D OM3 splice
150335BA24-E	OpDAT Wall-mounted distributor M 24xSC-D OM3 splice
1503377548-E	OpDAT Wall-mounted distributor M 48xLC-D OM4 splice
150337BB24-E	OpDAT Wall-mounted distributor M 24xSC-D OM4 splice
1503387M48-E	OpDAT Wall-mounted distributor M 48xLC-D OM5 splice
1503395948-E	OpDAT Wall-mounted distributor M 48xE2-S APC OS2 splice
1503397448-E	OpDAT Wall-mounted distributor M 48xLC-D OS2 splice
1503397648-E	OpDAT Wall-mounted distributor M 48xLC-D APC OS2 splice

## Data sheet

### OpDAT WV rotary bolt

Page 6/7

P/N

15032Z089-E

EAN 4251394669991

2025/07/02

Version: C

#### Accessories from

1503397A06-C	OpDAT Wall-mounted distributor M 6xLC-Q APC OS2 (ceramic, green)
1503397A12-C	OpDAT Wall-mounted distributor M 12xLC-Q APC OS2 (ceramic, green)
1503397A18-C	OpDAT Wall-mounted distributor M 18xLC-Q APC OS2 (ceramic, green)
1503397A24-C	OpDAT Wall-mounted distributor M 24xLC-Q APC OS2 (ceramic, green)
1503397A30-C	OpDAT Wall-mounted distributor M 30xLC-Q APC OS2 (ceramic, green)
150339E224-E	OpDAT Wall-mounted distributor M 24xSC-D OS2 splice
150339F224-E	OpDAT Wall-mounted distributor M 24xSC-D APC OS2 splice



Data sheet  
OpDAT WV rotary bolt

Page 7/7

P/N  
15032Z089-E  
EAN 4251394669991  
2025/07/02  
Version: C

**Illustrations**

Dimensional drawing

