

Data sheet

OpDAT Wall-mounted distributor S 24xE2-S APC OS2 splice

Page 1/6

P/N
1503295924-E

EAN 4251394632841

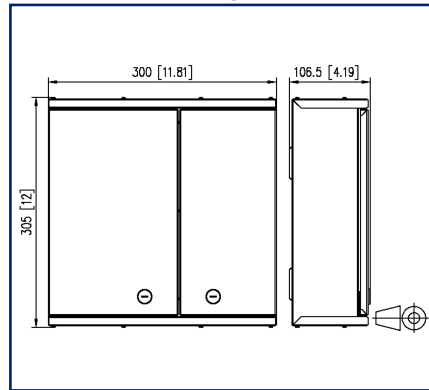
2025/07/01

Version: C

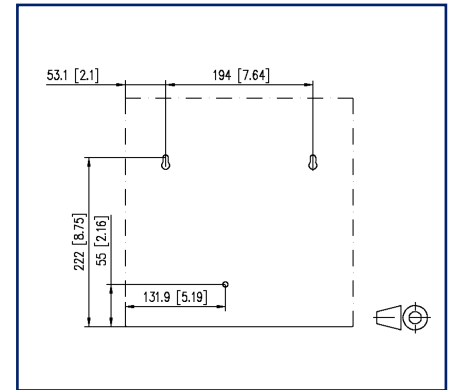
Illustrations



Dimensional drawing



Drill pattern



See enlarged drawings at the end of document

Product specification

- distributor for universal use in floor cabling or as a building distribution point in the equipment room
- equipped with E2-S APC-adapters and pigtailed
- pigtailed inserted and stripped in standard splice tray with crimp splice holders
- unused openings are closed by blind plugs
- wall-mount housing with two lockable swing doors, two different locks to separate network and building cabling
- easy, space saving wall mounting
- easy access possibilities and a secure routing of the pigtailed
- four cable infeeds (scope of supply): 2x for M20/PG16, 2x for patch cords
- variants: size S: 305x300x107 mm or size M: 405x400x107 mm



OpDAT Wall-mounted distributor S 24xE2-S APC OS2 splice

P/N

1503295924-E

EAN 4251394632841

2025/07/01

Version: C

Technical Data

General Data

| | |
|---|--|
| Fields of application | structured building cabling office areas data center |
| Mechanical measurement according to MICE | M1 |
| Ingress measurement according to MICE | I1 |
| Climatic measurement according to MICE | C1 |
| Electromagnetic measurement according to MICE | E3 |
| Design | Wall-mounted distributor |
| Mounting style | AP |
| Transmission technology | Fiber optic |
| Port numbering | yes |
| Color | green |
| Dimensions | |
| Dimension (L x W x H) | 106.5 mm x 300 mm x 305 mm |
| Dimension (L x W x H) | 4.193 in. x 11.811 in. x 12.008 in. |
| Cable Type | pigtail(s) |
| Fiber class | OS2 |
| Mode type of the fiber | Singlemode |
| Shape | APC (Angled Physical Contact) |
| Fiber construction | 9/125 µm |
| Labeling option | printed numbers |

Connections/interfaces

| | |
|--------------------------------------|--------------------|
| Connector technology interface 1 | E2000-S Couplers |
| Connector technology interface 2 | E2000-S Couplers |
| Number of ports interface 1 | 24 |
| Number of ports interface 2 | 24 |
| Number of equipped ports interface 1 | 24 |
| Number of ports interface 2 equipped | 24 |
| Cable access/outlet | from top or bottom |

OpDAT Wall-mounted distributor S 24xE2-S APC OS2 splice

P/N

1503295924-E

EAN 4251394632841

2025/07/01

Version: C

Technical Data

Mechanical data

| | |
|----------------|-----------------|
| Cut-out | SC, LC-D, E2000 |
| Connector type | simplex |

Materials and material properties

| | |
|-------------------------------|------------------|
| Material - Housing | sheet steel |
| Material - Housing finish | powder-coated |
| Material - Front cover | sheet steel |
| Material - Front cover finish | powder-coated |
| Material - Sleeve | ceramic, slotted |
| Material - Coupler housing | Plastics |
| Halogen free | yes |
| RoHS | compliant |

Standards/Regulations

| | |
|--|--|
| FO connector interfaces | IEC 61754-15 |
| Optical fibers: Indoor optical cables | |
| Sectional specification for class B single-mode fibres | ISO/IEC 60793-2-50 type B.1.3 & B6_a |
| Optical fibers - Interconnecting devices and passive components - basic test and measuring methods | |
| Fibre optic interconnecting devices and passive components - Visual inspection of plug end face | IEC 61300-3-35 |
| Standard colours for insulation for low-frequency cables & wires | IEC 60304 |
| ITU-T standard | ITU-T G.657.A1 compatible with ITU-T G.652.D |

Classifications

| | |
|-----------|----------|
| ETIM 7.0 | EC001130 |
| ETIM 8.0 | EC001130 |
| ETIM 9.0 | EC001130 |
| ETIM 10.0 | EC001130 |

Packing details

| | |
|-------------------|---------------|
| Type of packaging | 1 pc(s) / box |
|-------------------|---------------|

Data sheet

Page 4/6

OpDAT Wall-mounted distributor S 24xE2-S APC OS2 splice

P/N

1503295924-E

EAN 4251394632841

2025/07/01

Version: C

Technical Data**Application note**

This product is a standard product of METZ CONNECT. METZ CONNECT is not aware of the specific intended use of the goods by the Customer or any customers of the Customer. The Customer guarantees that it has fully and sufficiently tested the use of the goods and any product modifications, product changes or product enhancements with regard to the specific intended use in accordance with the state of the art or in any other way. At METZ CONNECT's request, the Customer shall submit and make available meaningful evidence (e.g. test and laboratory protocols, certifications, etc.).



Data sheet

Page 5/6

OpDAT Wall-mounted distributor S 24xE2-S APC OS2 splice

P/N

1503295924-E

EAN 4251394632841

2025/07/01

Version: C

Accessories

| P/N | Designation |
|-------------|---|
| 15032Z001-E | Cable infeed for 2xM20 for OpDAT Wall-mounted distributor S |
| 15032Z003-E | Cable infeed for 1xM25 for OpDAT Wall-mounted distributor S |
| 15032Z004-E | Cable infeed for two mounting plates VIK for OpDAT Wall-mounted distributor |
| 15032Z005-E | Cable infeed for patch cords for OpDAT Wall-mounted distributor S |
| 15032Z006-E | Cable infeed for single cable for OpDAT Wall-mounted distributor S |
| 15032Z089-E | OpDAT WV rotary bolt |
| 150800119-E | One-Click™- Cleaner Mini SC/ST/FC/E2000 |
| 15090200-E | OpDAT cover for splice tray |



OpDAT Wall-mounted distributor S 24xE2-S APC OS2 splice

P/N

1503295924-E

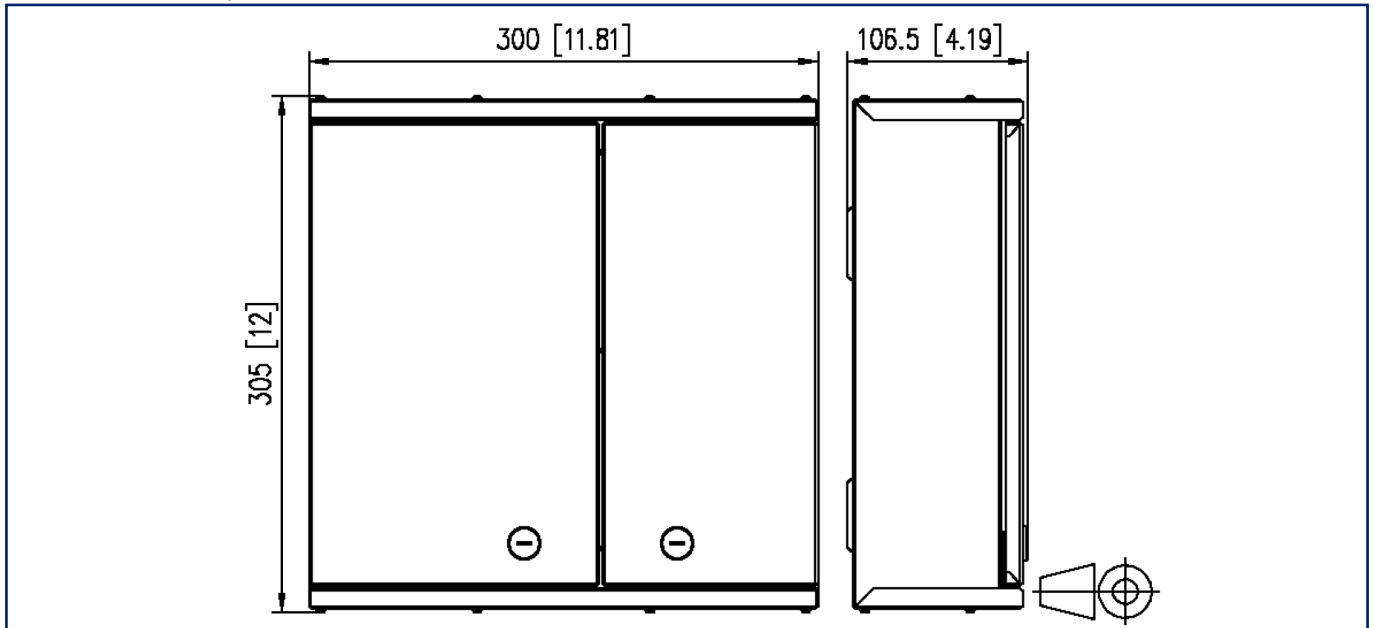
EAN 4251394632841

2025/07/01

Version: C

Illustrations

Dimensional drawing



Drill pattern

