

# Data sheet

## OpDAT Wall-mounted distributor S for 24xLC-D/SC/E2 unequipped

Page 1/5

P/N

1503207700-E

EAN 4251122198281

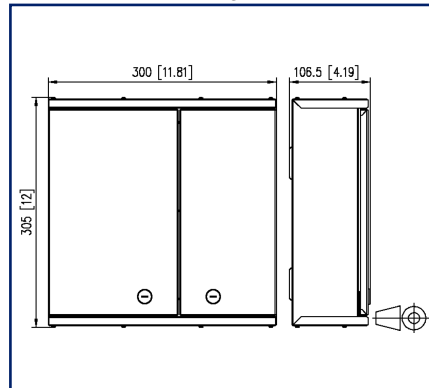
2025/07/23

Version: D

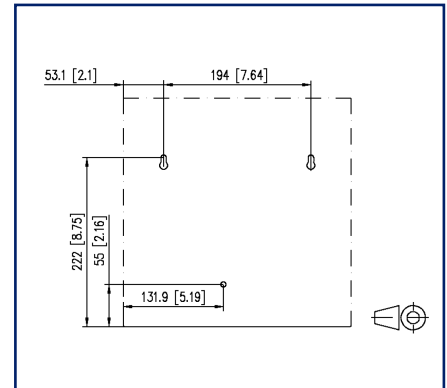
### Illustrations



Dimensional drawing



Drill pattern



See enlarged drawings at the end of document

### Product specification

- distributor for universal use in floor cabling or as a building distribution point in the equipment room
- wall-mount housing with two lockable swing doors, two different locks to separate network and building cabling
- unequipped with 24x SC-S/LC-D/E2000-S breakouts
- easy, space saving wall mounting
- easy access possibilities and a secure routing of the Prefabs
- Holder for up to 8 standard splice trays mounted
- four cable infeeds (scope of supply): 1x for Prefabs with universal cables, 1x for M20/PG16, 2x for patch cords
- variants: size S: 305x300x107 mm or size M: 405x400x107 mm



# OpDAT Wall-mounted distributor S for 24xLC-D/SC/E2 unequipped

P/N  
1503207700-E  
EAN 4251122198281  
2025/07/23  
Version: D

## Technical Data

### General Data

Fields of application	structured building cabling office areas data center
Mechanical measurement according to MICE	M1
Ingress measurement according to MICE	I1
Climatic measurement according to MICE	C1
Electromagnetic measurement according to MICE	E3
Design	Wall-mounted distributor
Mounting style	AP
Transmission technology	Fiber optic
Port numbering	yes
Dimensions	
Dimension (L x W x H)	106.5 mm x 300 mm x 305 mm
Dimension (L x W x H)	4.193 in. x 11.811 in. x 12.008 in.
Labeling option	printed numbers

### Connections/interfaces

Connector technology interface 1	LC-D/SC-S/E2000-S Couplers
Connector technology interface 2	LC-D/SC-S/E2000-S Couplers
Number of ports interface 1	24
Number of ports interface 2	24
Cable access/outlet	from top or bottom

### Mechanical data

Cut-out	SC, LC-D, E2000
---------	-----------------

### Materials and material properties

Material - Housing	sheet steel
Material - Housing finish	powder-coated
Material - Front cover	sheet steel
Material - Front cover finish	powder-coated
Halogen free	yes
RoHS	compliant

Data sheet

Page 3/5

**OpDAT Wall-mounted distributor S  
for 24xLC-D/SC/E2 unequipped**

P/N

1503207700-E

EAN 4251122198281

2025/07/23

Version: D

**Technical Data****Classifications**

ETIM 7.0	EC001130
ETIM 8.0	EC001130
ETIM 9.0	EC001130
ETIM 10.0	EC001130

**Packing details**

Type of packaging 1 pc(s) / box

**Application note**

This product is a standard product of METZ CONNECT. METZ CONNECT is not aware of the specific intended use of the goods by the Customer or any customers of the Customer. The Customer guarantees that it has fully and sufficiently tested the use of the goods and any product modifications, product changes or product enhancements with regard to the specific intended use in accordance with the state of the art or in any other way. At METZ CONNECT's request, the Customer shall submit and make available meaningful evidence (e.g. test and laboratory protocols, certifications, etc.).



Data sheet

Page 4/5

**OpDAT Wall-mounted distributor S  
for 24xLC-D/SC/E2 unequipped**

P/N

1503207700-E

EAN 4251122198281

2025/07/23

Version: D

**Accessories**

P/N	Designation
15032Z001-E	Cable infeed for 2xM20 for OpDAT Wall-mounted distributor S
15032Z003-E	Cable infeed for 1xM25 for OpDAT Wall-mounted distributor S
15032Z004-E	Cable infeed for two mounting plates Prefab for OpDAT Wall-mounted distributor
15032Z005-E	Cable infeed for patch cords for OpDAT Wall-mounted distributor S
15032Z006-E	Cable infeed for single cable for OpDAT Wall-mounted distributor S
15032Z089-E	OpDAT WV rotary bolt
150800118-E	One-Click™ - Cleaner Mini LC/MU



Data sheet

Page 5/5

# OpDAT Wall-mounted distributor S for 24xLC-D/SC/E2 unequipped

P/N  
1503207700-E

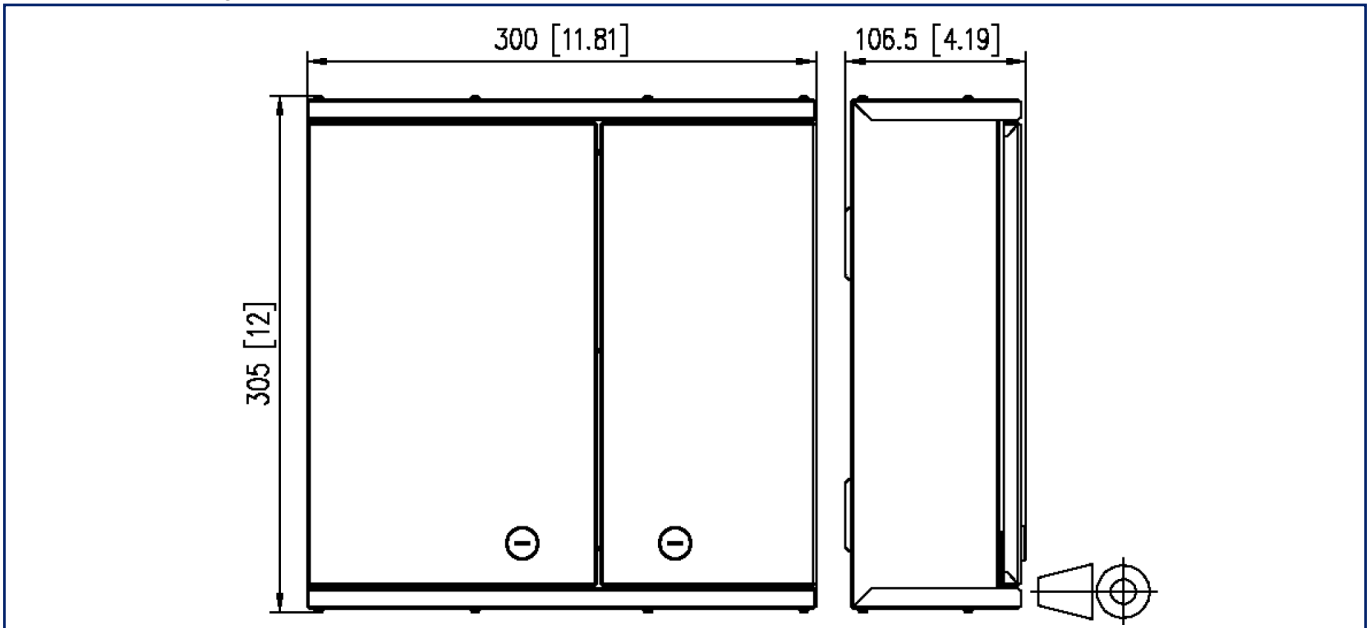
EAN 4251122198281

2025/07/23

Version: D

## Illustrations

Dimensional drawing



Drill pattern

