

Data sheet

OpDAT APL extension box splice 4xSC-S UPC OS2

Page 1/6

P/N

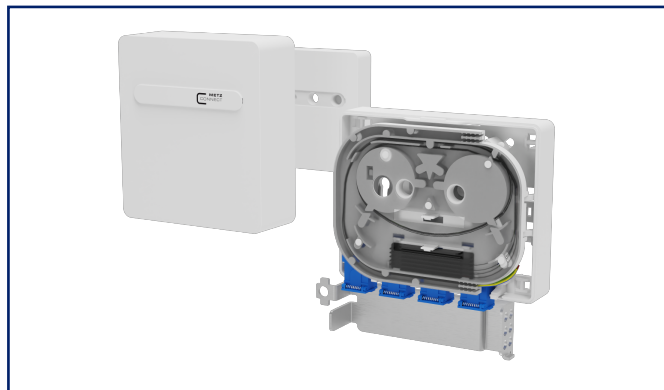
1501591L04HC

EAN 4251394656106

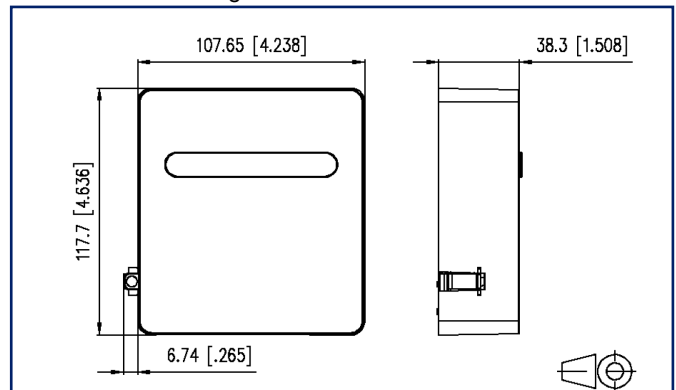
2025/06/18

Version: H

Illustrations



Dimensional drawing



See enlarged drawings at the end of document

Product specification

- compact fiber optic termination point for the FITH area
- prepared for receiving microtubes with gasblockers
- sealable or lockable by safety screw
- equipped with adapters with laser shutter and pigtails
- pigtails with single mode fiber OS2, E9/125 μm , IEC 60793-2-50 B.1.3 and B.6_a, bend insensitive according to ITU-T G.657.A1, compatible to ITU-T G.652.D
- pigtails are cleaned and plugged in adapters
- unequipped ports are closed with blind plugs
- for surface mounting and with integrated clips for rail mounting in two directions
- pivoting, removable splice tray for up to 8 shrink splice protections
- cover removable without tool
- plug direction 90°
- color of the cover parts pure white RAL 9010
- variants: equipped with SC APC, SC UPC, LC-D APC or LC-D UPC adapters and matching pigtails
- variants also available in Grade B



OpDAT APL extension box splice 4xSC-S UPC OS2

P/N
1501591L04HC
EAN 4251394656106
2025/06/18
Version: H

Technical Data

General Data	
Fields of application	structured building cabling
Mechanical measurement according to MICE	M1
Ingress measurement according to MICE	I1
Climatic measurement according to MICE	C1
Electromagnetic measurement according to MICE	E3
Design	AP
Mounting style	surface mount, standard rail TH35
Transmission technology	Fiber optic
Color	pure white - RAL 9010
Dimensions	
Dimension (L x W x H)	118 mm x 108 mm x 39 mm
Dimension (L x W x H)	4.646 in. x 4.252 in. x 1.535 in.
Cable Type	pigtail(s)
Mode type of the fiber	Singlemode
Fiber class	OS2: IEC 60793-2-50 B6_a, B6_b & ITU-T G.657.A2, G.657.B2, G.652.D
Shape	UPC (Ultra Physical Contact)
Fiber construction	9/125 µm
Connections/interfaces	
Connector technology interface 1	SC
Connector technology interface 2	SC
Number of ports interface 1	4
Number of ports interface 2	4
Number of equipped ports interface 1	4
Number of ports interface 2 equipped	4
Core diameter (min. - max.)	
Core diameter	900 µm
Core diameter	35.433 in.
Cable access/outlet	bottom

Data sheet

Page 3/6

OpDAT APL extension box splice 4xSC-S UPC OS2

P/N

1501591L04HC

EAN 4251394656106

2025/06/18

Version: H

Technical Data

Electrical/ optical properties	
Insertion loss	max. 0,3 dB
Return loss	min. 50 dB
Mechanical data	
Connector type	simplex
Life - Number of mating cycles	min. 1000
Materials and material properties	
Material - Housing	ABS + PC
Material - Coupler housing	Plastics
Material - Sleeve	ceramic, slotted
Material - Ferrule	Ceramic
Material - Crimp sleeve	Al (Aluminium)
RoHS	compliant
Environmental conditions	
Temperature (min. - max.)	
Temperature - Storage °C	-10 °C - 60 °C
Temperature - Storage °F	14 °F - 140 °F
Temperature - Operating °C	-10 °C - 60 °C
Temperature - Operating °F	14 °F - 140 °F
Particulate ingress	IP2X
Liquid ingress/immersion	IPX0
Classifications	
ETIM 7.0	EC001409
ETIM 8.0	EC001409
ETIM 9.0	EC001409
Packing details	
Type of packaging	1 pc(s) / box

© 2025 METZ CONNECT - Technische Änderungen vorbehalten! Subject to modifications! Sous réserve de modifications techniques!

Data sheet

Page 4/6

**OpDAT APL extension box splice
4xSC-S UPC OS2**

P/N

1501591L04HC

EAN 4251394656106

2025/06/18

Version: H

Technical Data**Application note**

This product is a standard product of METZ CONNECT. METZ CONNECT is not aware of the specific intended use of the goods by the Customer or any customers of the Customer. The Customer guarantees that it has fully and sufficiently tested the use of the goods and any product modifications, product changes or product enhancements with regard to the specific intended use in accordance with the state of the art or in any other way. At METZ CONNECT's request, the Customer shall submit and make available meaningful evidence (e.g. test and laboratory protocols, certifications, etc.).



Data sheet

Page 5/6

OpDAT APL extension box splice 4xSC-S UPC OS2

P/N

1501591L04HC

EAN 4251394656106

2025/06/18

Version: H

Accessories

P/N	Designation
15090304-I	OpDAT splice protection cover for 6 crimp splices
15090401-E	OpDAT crimp splice protection (12 pieces)



Data sheet

Page 6/6

OpDAT APL extension box splice
4xSC-S UPC OS2

P/N
1501591L04HC

EAN **4251394656106**

2025/06/18

Version: H

Illustrations

Dimensional drawing

