

Data sheet

OpDAT 4 AP 4xST SM+MM

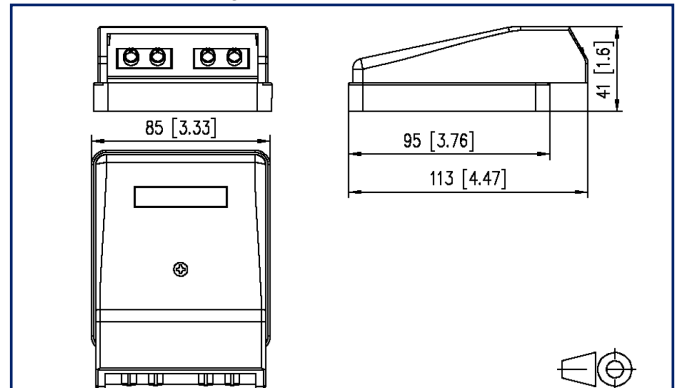
Page 1/4

P/N
1501123102-E
EAN 4250184111580
2025/09/17
Version: AF

Illustrations



Dimensional drawing



See enlarged drawings at the end of document

Product specification

- fiber optic termination unit for mounting in cable duct / surface mounting with fiber optic adapters
- equipped with 4 ST SM+MM adapters
- bending radius of approx. 30 mm is met due to integrated cable reservoir
- plug direction 10° downwards
- strain relief with cable ties possible
- with label window for enclosed identification labels
- suitable for preassembled cables and on-site assembly of plugs
- for mini breakout cables
- cover parts in pure white RAL 9010
- variants: 2 LC-D, 2 SC-D, 4 ST



Data sheet
OpDAT 4 AP 4xST SM+MM

P/N
1501123102-E
EAN 4250184111580
2025/09/17
Version: AF

Technical Data

General Data

Fields of application	office areas
Mechanical measurement according to MICE	M1
Ingress measurement according to MICE	I1
Climatic measurement according to MICE	C1
Electromagnetic measurement according to MICE	E3
Design	wall outlet
Mounting style	AP
Transmission technology	Fiber optic
Color	pure white - RAL 9010
Dimensions	
Dimension (L x W x H)	41 mm x 85 mm x 113 mm
Dimension (L x W x H)	1.614 in. x 3.346 in. x 4.449 in.
Mode type of the fiber	Singlemode + Multimode
Labeling option	label window with identification label

Connections/interfaces

Connector technology interface 1	ST
Connector technology interface 2	ST
Number of ports interface 1	4
Number of ports interface 2	4
Number of equipped ports interface 1	4
Number of ports interface 2 equipped	4
Number of ports with dust protection interface 2	4
Module plug-in direction	10° downwards

Mechanical data

Cut-out	ST
Life - Number of mating cycles	min. 1000
strain relief	cable tie

Technical Data

Materials and material properties

Material - Housing	Plastics
Material - Surface mount frame	ABS
Material - Cover part(s)	ABS
Material - Label window	ABS, transparent
Material - Coupler housing	metal
Material - Sleeve	ceramic, slotted
RoHS	compliant

Classifications

ETIM 7.0	EC001409
ETIM 8.0	EC001409
ETIM 9.0	EC001409
ETIM 10.0	EC001409

Packing details

Type of packaging	1 pc(s) / box
-------------------	---------------

Application note

This product is a standard product of METZ CONNECT. METZ CONNECT is not aware of the specific intended use of the goods by the Customer or any customers of the Customer. The Customer guarantees that it has fully and sufficiently tested the use of the goods and any product modifications, product changes or product enhancements with regard to the specific intended use in accordance with the state of the art or in any other way. At METZ CONNECT's request, the Customer shall submit and make available meaningful evidence (e.g. test and laboratory protocols, certifications, etc.).



Data sheet

OpDAT 4 AP 4xST SM+MM

Page 4/4

P/N

1501123102-E

EAN 4250184111580

2025/09/17

Version: AF

Illustrations

Dimensional drawing

