

# Data sheet

## OpDAT 4 UP 2xLC-D APC OS2

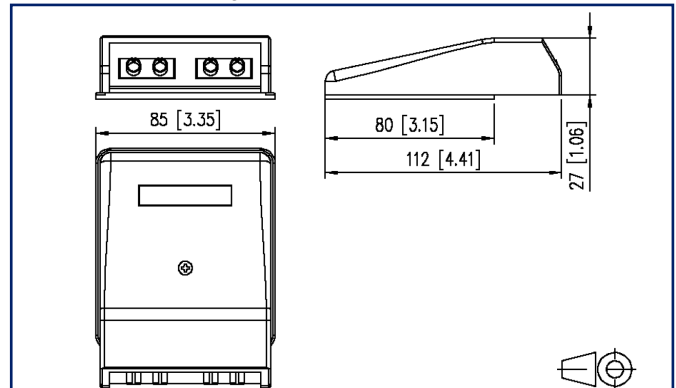
Page 1/4

P/N  
1501107602-E  
EAN 4251394609263  
2025/05/19  
Version: J

### Illustrations



Dimensional drawing



See enlarged drawings at the end of document

### Product specification

- fiber optic termination unit for flush mounting with fiber optic adapters
- equipped with 2 LC-D APC adapters
- bending radius of approx. 30 mm is met due to integrated cable reservoir
- plug direction 10° downwards
- strain relief with cable ties possible
- with label window for enclosed identification labels
- suitable for preassembled cables and on-site assembly of plugs
- for mini breakout cables
- cover parts in pure white RAL 9010
- variants: 2 LC-D, 2 SC-D, 4 ST



**Data sheet**  
**OpDAT 4 UP 2xLC-D APC OS2**

**Technical Data**

**General Data**

Fields of application	office areas
Mechanical measurement according to MICE	M1
Ingress measurement according to MICE	I1
Climatic measurement according to MICE	C1
Electromagnetic measurement according to MICE	E3
Design	wall outlet
Mounting style	UP
Transmission technology	Fiber optic
Color	pure white - RAL 9010
Dimensions	
Dimension (L x W x H)	27 mm x 85 mm x 112 mm
Dimension (L x W x H)	1.063 in. x 3.346 in. x 4.409 in.
Mode type of the fiber	Singlemode
Fiber class	OS2
Shape	APC (Angled Physical Contact)
Labeling option	label window with identification label

**Connections/interfaces**

Connector technology interface 1	LC-D
Connector technology interface 2	LC-D
Number of ports interface 1	2
Number of ports interface 2	2
Number of equipped ports interface 1	2
Number of ports interface 2 equipped	2
Number of ports with dust protection interface 2	2
Number of blind	2
Module plug-in direction	10° downwards

**Mechanical data**

Cut-out	SC, LC-D, E2000
Connector type	duplex
Life - Number of mating cycles	min. 1000
strain relief	cable tie

**Data sheet**  
**OpDAT 4 UP 2xLC-D APC OS2**

**Technical Data**

**Materials and material properties**

Material - Housing	Plastics
Material - Cover part(s)	ABS
Material - Label window	ABS, transparent
Material - Coupler housing	metal
Material - Sleeve	ceramic, slotted
RoHS	compliant

**Standards/Regulations**

Cover plates for installation devices 1	DIN 49075-1:1989-10
Cover plates for installation devices 2	DIN 49075-2:1989-10

**Classifications**

ETIM 7.0	EC001409
ETIM 8.0	EC001409
ETIM 9.0	EC001409

**Packing details**

Type of packaging	1 pc(s) / box
-------------------	---------------

**Application note**

This product is a standard product of METZ CONNECT. METZ CONNECT is not aware of the specific intended use of the goods by the Customer or any customers of the Customer. The Customer guarantees that it has fully and sufficiently tested the use of the goods and any product modifications, product changes or product enhancements with regard to the specific intended use in accordance with the state of the art or in any other way. At METZ CONNECT's request, the Customer shall submit and make available meaningful evidence (e.g. test and laboratory protocols, certifications, etc.).

Data sheet  
**OpDAT 4 UP 2xLC-D APC OS2**

Page 4/4

P/N  
**1501107602-E**  
EAN **4251394609263**  
2025/05/19  
Version: J

**Illustrations**

Dimensional drawing

