

Data sheet

E-DAT Industry IP20 bend protection, white

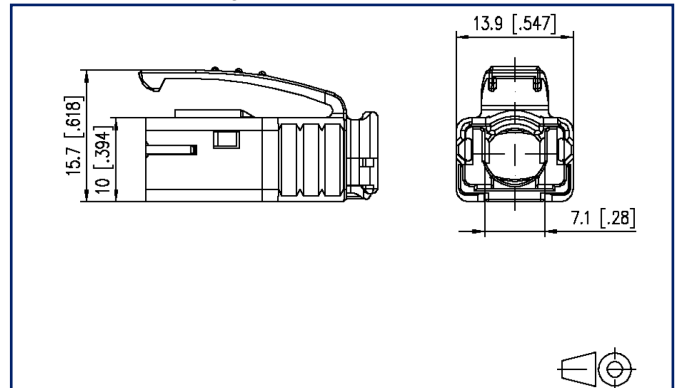
Page 1/4

P/N
1401008204-E
EAN 4250184113812
2025/09/17
Version: Q

Illustrations



Dimensional drawing



See enlarged drawings at the end of document

Product specification

- molded snagless anti-bend sleeve for E-DAT Industry IP20 RJ45 plug
- trumpet-shaped bending protection of the connection cable
- retrofitting possible
- effective grip contours

- variants: white, light gray, blue, yellow, green, black, orange



E-DAT Industry IP20 bend protection, white

P/N

1401008204-E

EAN 4250184113812

2025/09/17

Version: Q

Technical Data

General Data

Mechanical measurement according to MICE	M1
Ingress measurement according to MICE	I1
Climatic measurement according to MICE	C1
Electromagnetic measurement according to MICE	E3
Design	cable boot
Mounting style	Accessories
Color	white
Dimensions	
Dimension (W x H)	13.9 mm x 15.7 mm
Dimension (W x H)	0.547 in. x 0.618 in.

Materials and material properties

Material	Plastics
Halogen free	yes
RoHS	compliant

Classifications

ETIM 7.0	EC000766
ETIM 8.0	EC000766
ETIM 9.0	EC000766
ETIM 10.0	EC000766

Packing details

Type of packaging	10 pc(s) / plastic bag
-------------------	------------------------

Application note

This product is a standard product of METZ CONNECT. METZ CONNECT is not aware of the specific intended use of the goods by the Customer or any customers of the Customer. The Customer guarantees that it has fully and sufficiently tested the use of the goods and any product modifications, product changes or product enhancements with regard to the specific intended use in accordance with the state of the art or in any other way. At METZ CONNECT's request, the Customer shall submit and make available meaningful evidence (e.g. test and laboratory protocols, certifications, etc.).

Data sheet

Page 3/4

E-DAT Industry IP20 bend protection, white

P/N

1401008204-E

EAN 4250184113812

2025/09/17

Version: Q

Accessories from

P/N	Designation
1401505010-E	E-DAT Industry RJ45 plug Cat.6 Class E _A
1401505012-E	E-DAT Industry RJ45 plug black Cat.6 Class E _A

Data sheet

Page 4/4

E-DAT Industry IP20 bend protection, white

P/N

1401008204-E

EAN 4250184113812

2025/09/17

Version: Q

Illustrations

Dimensional drawing

