

# Data sheet

## C6<sub>A</sub> RJ45 field plug ultra short

Page 1/7

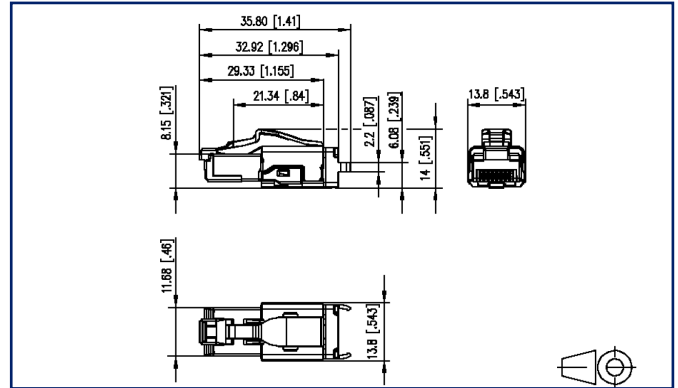
P/N  
130E507032-E  
EAN 4251394666716  
2026/05/06  
Version: D

### Illustrations

Produktbild



Dimensional drawing



See enlarged drawings at the end of document

### Product specification

- Cat.6<sub>A</sub> class E<sub>A</sub> RJ45 plug to be assembled in the field
- centrally aligned and multiport-capable
- straight cable feed (180°)
- easy assembly - connection without special tools
- wire connection stranded wire: AWG 26/7 - 22/7
- wire connection solid wire: AWG 26/1 - 22/1
- transmission characteristics Cat.6<sub>A</sub> according to ISO/IEC 11801
- compliance with class E<sub>A</sub> to ISO/IEC 11801, DIN EN 50173-1
- degree of protection IP20
- with optional cable bend suitable for cable jacket diameters from 5.0 to 8.0 mm
- 2-part, well-known MC connection concept
- protected locking hook
- reconnectable



**Data sheet**  
**C6<sub>A</sub> RJ45 field plug ultra short**

**Technical Data**

**General Data**

Fields of application	structured building cabling
Mechanical measurement according to MICE	M1
Ingress measurement according to MICE	I1
Climatic measurement according to MICE	C1
Electromagnetic measurement according to MICE	E2
Execution	plug
Shielding	yes
Special tool necessary	no
Wiring	T568A, T568B
Color	black
<b>Dimensions</b>	
Dimension (L x W x H)	29.5 mm x 13.8 mm x 13.7 mm
Dimension (L x W x H)	1.161 in. x 0.543 in. x 0.539 in.
Weight	4.54 g
Weight	0.01 lb

**Transmission characteristics**

Category (ISO)	6 <sub>A</sub>
Class (ISO/IEC)	E <sub>A</sub>
Category (TIA)	6 <sub>A</sub>
Transmission rate up to 10 GBit	IEEE 802.3an
PoE	IEEE 802.3af
PoE plus	IEEE 802.3at
UPoE	yes
4PPoE	IEEE 802.3bt

**Connections/interfaces**

Connector technology interface 1	IDC-connection
Connector technology interface 2	RJ45 plug
Suitable for solid conductors	yes
Min. AWG-size	26
Max. AWG-size	22

## C6<sub>A</sub> RJ45 field plug ultra short

P/N

130E507032-E

EAN 4251394666716

2026/05/06

Version: D

### Technical Data

#### Connections/interfaces

Termination data, solid wire (min. - max.)

Conductor cross section, solid wire	AWG26/1 - AWG22/1
Conductor cross section, solid wire	0.128 mm <sup>2</sup> - 0.324 mm <sup>2</sup>
Conductor diameter, solid wire (bare copper)	0.409 mm - 0.643 mm
Conductor diameter, solid wire (bare copper)	0.016 in. - 0.025 in.

Termination data, stranded wire (min. - max.)

Conductor cross section, stranded wire	AWG26/7 - AWG22/7
Conductor cross section, stranded wire	0.141 mm <sup>2</sup> - 0.355 mm <sup>2</sup>
Conductor diameter, stranded wire (bare copper)	0.483 mm - 0.762 mm
Conductor diameter, stranded wire (bare copper)	0.019 in. - 0.03 in.

Aderdurchmesser (min.-max.)

Core diameter (conductor with insulation)	1 mm - 1.6 mm
Core diameter (conductor with insulation)	0.039 in. - 0.063 in.

Cable sheath diameter (min. - max.)

Cable sheath diameter	5.5 mm - 9 mm
Cable sheath diameter	0.217 in. - 0.354 in.

Reconnectibility yes

#### Electrical characteristics

Current carrying capacity	max. 1 A
Rated voltage	max. 50 V
Rated voltage UL	max. 56.5 V DC
Contact resistance	max. 20 mOhm
Insulation resistance	min. 500 MOhm
Dielectric strength conductor-conductor (secondary)	1000 V DC
Dielectric strength conductor-shield	1500 V DC



**Data sheet**  
**C6<sub>A</sub> RJ45 field plug ultra short**

**P/N**  
**130E507032-E**  
**EAN 4251394666716**  
 2026/05/06  
 Version: D

**Technical Data**

**Mechanical data**

Insertion and withdrawal force	max. 30 N
Life - Number of mating cycles	min. 750

**Materials and material properties**

Material - Housing	PBT
Material - Insulation displacement contacts	CuSn
Material - Finish of insulation displacement contacts	Sn
Material - Contact	CuSn
Material - Contact finish	Ni + Au (nickel-gold)
Material - Contact carriers	PA UL 94 V0
Material - Shield	CuSn
Material - Shield finish	Sn
Material - Stuffer cap	PBT
Material - Cable boot	PA
Material - Latch	PA
Halogen free	yes

**Environmental conditions**

Temperature (min. - max.)	
Temperature - Operating °C	-40 °C - 70 °C
Temperature - Operating °F	-40 °F - 158 °F
Particulate ingress	IP2X
Liquid ingress/immersion	IPX0
Rapid change of temperature	-40°C to +70°C / 25cycles t = 30 min.

**Approvals**

UL listed (file no.) DUXR.E178484



Data sheet  
**C6<sub>A</sub> RJ45 field plug ultra short**

Page 5/7

P/N  
**130E507032-E**  
EAN **4251394666716**  
2026/05/06  
Version: D

## Technical Data

### Standards/Regulations

General requirements	ISO/IEC 11801-1   DIN EN 50173-1 ANSI/TIA-568.2-D
Free and fixed connectors	IEC 60603-7-51
UL standard for Communications-Circuit Accessories	UL 1863

### Classifications

ETIM 9.0	EC001121
ETIM 10.0	EC001121

### Packing details

Type of packaging	10 pc(s) / box
-------------------	----------------

### Application note

This product is a standard product of METZ CONNECT. METZ CONNECT is not aware of the specific intended use of the goods by the Customer or any customers of the Customer. The Customer guarantees that it has fully and sufficiently tested the use of the goods and any product modifications, product changes or product enhancements with regard to the specific intended use in accordance with the state of the art or in any other way. At METZ CONNECT's request, the Customer shall submit and make available meaningful evidence (e.g. test and laboratory protocols, certifications, etc.).



## C6<sub>A</sub> RJ45 field plug ultra short

P/N

130E507032-E

EAN 4251394666716

2026/05/06

Version: D

### Accessories

P/N	Designation
130800400-E	Copper tool Bag
1308406032140	MC GC400 SL24 Cat.6 U/UTP LSHF 305 m, class E <sub>ca</sub>
1308406032141	MC GC400 SL24 Cat.6 U/UTP LSHF 500 m, class E <sub>ca</sub>
1308427032141	MC GC1000 plus23 Cat.7 S/FTP 4P LSHF 500 m, class E <sub>ca</sub>
1308427032142	MC GC1000 plus23 Cat.7 S/FTP 4P LSHF 1000 m, class E <sub>ca</sub>
1308427032143	MC GC1000 plus23 Cat.7 S/FTP 2x4P LSHF 500 m, class E <sub>ca</sub>
1308427B34141	MC GC1300 pro22 Cat.7 <sub>A</sub> S/FTP 4P LSHF-FR 500 m, class D <sub>ca</sub> s1 d1 a1
1308427B34142	MC GC1300 pro22 Cat.7 <sub>A</sub> S/FTP 4P LSHF-FR 1000 m, class D <sub>ca</sub> s1 d1 a1
1308427B34143	MC GC1300 pro22 Cat.7 <sub>A</sub> S/FTP 2x4P LSHF-FR 500 m, class D <sub>ca</sub> s1 d1 a1
1308427B34145	MC GC1300 pro22 Cat.7 <sub>A</sub> S/FTP 4P LSHF-FR 100 m, class D <sub>ca</sub> s1 d1 a1
130842A6AFFDFD	MC 550 AWG 23 Cat.6 <sub>A</sub> F/FTP 2x4P LSHF-FR 500 m, class D <sub>ca</sub> s2 d2 a2
130842A6AFFDT	MC 550 AWG 23 Cat.6 <sub>A</sub> F/FTP 4P LSHF-FR 1000 m, class D <sub>ca</sub> s2 d2 a2
130842A6ASFCF1	MC 550 AWG 23 Cat.6 <sub>A</sub> S/FTP 4P LSHF-FR 500 m, class C <sub>ca</sub> s1 d1 a1
130842A6ASFCF1D	MC 550 AWG 23 Cat.6 <sub>A</sub> S/FTP 2x4P LSHF-FR 500 m, class C <sub>ca</sub> s1 d1 a1
130842A6AUFCF	MC 550 AWG 23 Cat.6 <sub>A</sub> U/FTP 4P LSHF-FR 500 m, class C <sub>ca</sub> s1a d1 a1
130842A6AUFD	MC 550 AWG 23 Cat.6 <sub>A</sub> U/FTP 4P LSHF-FR 500 m, class D <sub>ca</sub> s2 d2 a2
1308436A32141	MC GC600 F1 23 Cat.6 <sub>A</sub> U/FTP 4P LSHF 500 m, class E <sub>ca</sub>
140301-E	Parallel jaw pliers 1 3/8 inches
140302-01-E	Jokari dismantle tool

Data sheet

Page 7/7

**C6<sub>A</sub> RJ45 field plug ultra short**

P/N

130E507032-E

EAN 4251394666716

2026/05/06

Version: D

**Illustrations**

Dimensional drawing

