

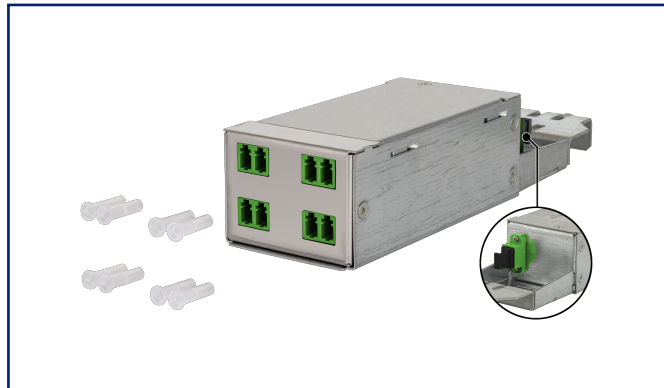
Data sheet

Page 1/5

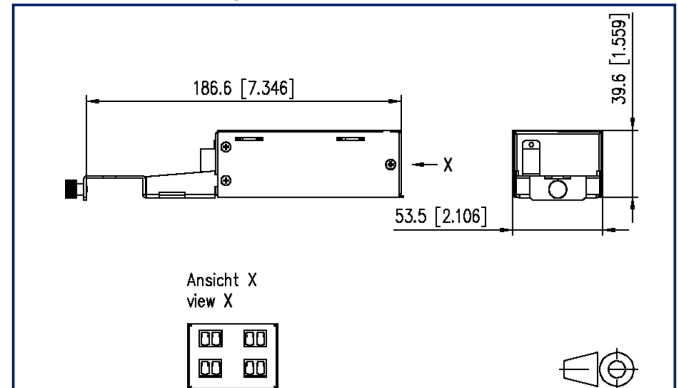
DCCS Module OS2 4xLC-Duplex APC/1xMTP-M, type B

P/N
130D229KM000B
EAN 4251394659336
2025/07/01
Version: B

Illustrations



Dimensional drawing



See enlarged drawings at the end of document

Product specification

- DCCS housing with 4 LC duplex adapters front mounted and one MTP adapter back mounted. Wire fanout with 8 wires integrated inside.
- easy assembly/disassembly in DCCS subrack (19 inch, 1 RU)
- Suitable for splitting or combining duplex to multi-fibre cables.
- availability/polarity: type A (duplex pairing: 1+2/3+4/...) or type B (duplex pairing: 1+12/2+11/...)
- housing: galvanized sheet steel, stainless steel front
- variants: blue (SM), green (SM APC), lime green (OM5), violet (OM4), aqua (OM3)
- all available variants can be created with the DCCS-FO-configurator

DCCS Module OS2 4xLC-Duplex APC/1xMTP-M, type B

P/N
130D229KM0000B
EAN 4251394659336
 2025/07/01
 Version: B

Technical Data

General Data

| | |
|-------------------------|------------------------------------------------------------|
| Fields of application | structured building cabling office areas data center |
| Design | subassembly / assembly / module / unit |
| Mounting style | DCCS |
| Transmission technology | Fiber optic |
| Port numbering | yes |
| Color | green |
| Dimensions | |
| Dimension (L x W x H) | 186.6 mm x 53.5 mm x 39.6 mm |
| Dimension (L x W x H) | 7.346 in. x 2.106 in. x 1.559 in. |
| Fiber class | OS2 |
| Mode type of the fiber | Multimode |

Connections/interfaces

| | |
|--------------------------------------------------|-----------------|
| Connector technology interface 1 | LC-D Couplers |
| Connector technology interface 2 | MPO/MTP adapter |
| Number of ports interface 1 | 4 |
| Number of ports interface 2 | 1 |
| Number of equipped ports interface 1 | 4 |
| Number of ports interface 2 equipped | 1 |
| Number of ports with dust protection interface 1 | 4 |

Mechanical data

| | |
|---------|------|
| Cut-out | DCCS |
|---------|------|

Materials and material properties

| | |
|------------------------------------|-------------|
| Material - Assembly housing | sheet steel |
| Material - Assembly housing finish | Zn (zinc) |
| Material - Coupler housing | Plastics |

Data sheet

Page 3/5

DCCS Module OS2 4xLC-Duplex APC/1xMTP-M, type B

P/N

130D229KM0000B

EAN 4251394659336

2025/07/01

Version: B

Technical Data**Classifications**

| | |
|-----------|----------|
| ETIM 7.0 | EC001129 |
| ETIM 8.0 | EC001129 |
| ETIM 9.0 | EC001129 |
| ETIM 10.0 | EC001129 |

Packing details

Type of packaging 1 pc(s) / box

Application note

This product is a standard product of METZ CONNECT. METZ CONNECT is not aware of the specific intended use of the goods by the Customer or any customers of the Customer. The Customer guarantees that it has fully and sufficiently tested the use of the goods and any product modifications, product changes or product enhancements with regard to the specific intended use in accordance with the state of the art or in any other way. At METZ CONNECT's request, the Customer shall submit and make available meaningful evidence (e.g. test and laboratory protocols, certifications, etc.).



Data sheet

Page 4/5

DCCS Module OS2 4xLC-Duplex APC/1xMTP-M, type B

P/N

130D229KM0000B

EAN 4251394659336

2025/07/01

Version: B

Accessories

| P/N | Designation |
|------------|------------------------------------------|
| 130D2B1B-E | DCCS2 BGT 19 inch 1RU subrack black |
| 130D2B1G-E | DCCS2 BGT 19 inch 1RU subrack light gray |
| 130D2B2B-E | DCCS2 BGT 19 inch 1RU subrack black |
| 130D2B2G-E | DCCS2 BGT 19 inch 1RU subrack light gray |



DCCS Module OS2 4xLC-Duplex APC/1xMTP-M, type B

P/N

130D229KM0000B

EAN 4251394659336

2025/07/01

Version: B

Illustrations

Dimensional drawing

