

Data sheet

C6_Amodul K 270° jack DNV - Keystone style

Page 1/10

P/N
130B22-DNV

EAN 4251122185168

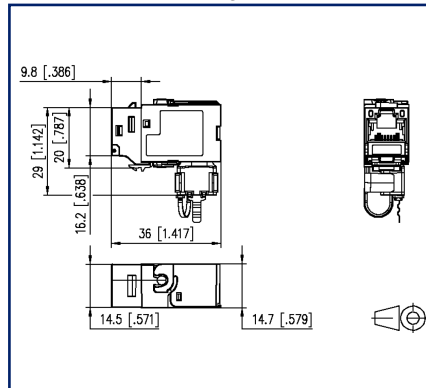
2026/02/19

Version: X

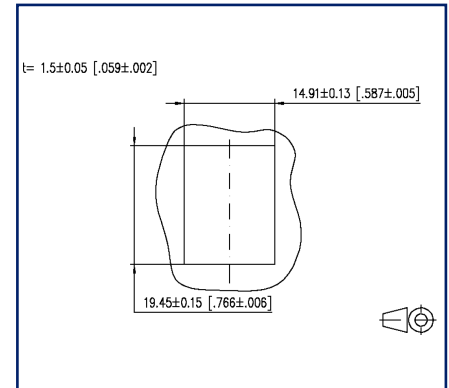
Illustrations



Dimensional drawing



Cut-out



See enlarged drawings at the end of document

Product specification

- DNV GL Type Approval Certificate
- Application/limitation DNV location classes: Temperature: B, Humidity: B, Vibration: A, EMC: (n.A), Enclosure protection: A
- modular Cat.6_A termination unit RJ45
- mounting version: Keystone, 270° cable feed
- solid, one-piece and reusable module housing refined with zinc die-casting
- mounting without special tools, strain relief directly snapped on to stuffer cap
- migration to 25G-systems without special tools
- easy to install connection of data lines AWG 26/1 to 22/1 (solid wire) and AWG 26/7 to 22/7 (stranded wire) to insulation displacement connectors (IDC)
- intelligent cable management in stuffer cap - also suitable for heavily twisted cables
- conductor assignment to T568A and T568B is directly printed on the stuffer cap
- certified to GHMT Cat.6_A re-embedded PVP
- Cat.6_A component test according to ISO/IEC 11801, DIN EN 50173-1, ANSI/TIA-568.2-D and IEC 60603-7-51, GHMT certified
- compliance with class E_A up to 500 MHz according to ISO/IEC 11801, DIN EN 50173-1
- tested: component up to 600 MHz, link up to 800 MHz



C6_Amodul K 270° jack DNV - Keystone style

P/N

130B22-DNV

EAN 4251122185168

2026/02/19

Version: X

Technical Data

General Data

Fields of application	Information technology - Application neutral communication cable systems Ships Offshore entities
Application area	The product is approved for installation on all ships classified by DNV GL.
Mechanical measurement according to MICE	M1
Ingress measurement according to MICE	I1
Climatic measurement according to MICE	C1
Electromagnetic measurement according to MICE	E2
Design	Jack
Shielding	shielded
Transmission technology	Copper
Wiring	T568A, T568B
Color	metallike
Dimensions	
Dimension (L x W x H)	36 mm x 14.7 mm x 29 mm
Dimension (L x W x H)	1.417 in. x 0.579 in. x 1.142 in.
Modularity	yes
Field assembly ability	yes
Labeling option	on housing
Marking option	by latching clip
Application/limitation of location classes on ships	
Temperature	B
Humidity	B
Vibration	A
EMC	(n.A)
Housing protection	A

C6_Amodul K 270° jack DNV - Keystone style

P/N

130B22-DNV

EAN 4251122185168

2026/02/19

Version: X

Technical Data

Transmission characteristics

Category (ISO)	6 _A
Class (ISO/IEC)	E _A
Category (TIA)	6A
Remote Powering	yes
PoE	IEEE 802.3af
PoE plus	IEEE 802.3at
UPoE	yes
4PPoE	IEEE 802.3bt
HDBaseT	yes
SAT-IP	yes
AVoverIP	yes
Transmission rate up to 100 MBit (Fast Ethernet)	IEEE 802.3bw
Transmission rate up to 10 GBit	IEEE 802.3an
Transmission rate up to 1 GBit (Fast Ethernet)	IEEE 902.3ab

Connections/interfaces

Connector technology interface 1	IDC-connection
Connector technology interface 2	RJ45-jack
Number of ports interface 2	1
Number of ports interface 2 equipped	1
Number of positions/contacts interface 1	8
Number of positions/contacts interface 2	8P/8C
Termination data, solid wire (min. - max.)	
Conductor cross section, solid wire	AWG 26/1 - AWG 22/1
Conductor cross section, solid wire	0.128 mm ² - 0.324 mm ²
Conductor diameter, solid wire (bare copper)	0.409 mm - 0.643 mm
Conductor diameter, solid wire (bare copper)	0.016 in. - 0.025 in.

C6_Amodul K 270° jack DNV - Keystone style

P/N
130B22-DNV

EAN 4251122185168

2026/02/19

Version: X

Technical Data

Connections/interfaces

Termination data, stranded wire (min. - max.)

Conductor cross section, stranded wire	AWG 26/7 - AWG 22/7
Conductor cross section, stranded wire	0.141 mm ² - 0.355 mm ²
Conductor diameter, stranded wire (bare copper)	0.483 mm - 0.762 mm
Conductor diameter, stranded wire (bare copper)	0.019 in. - 0.03 in.
Aderdurchmesser (min.-max.)	
Core diameter (conductor with insulation)	1 mm - 1.6 mm
Core diameter (conductor with insulation)	0.039 in. - 0.063 in.
Cable sheath diameter (min. - max.)	
Cable sheath diameter	5.5 mm - 10.00 mm
Cable sheath diameter	0.217 in. - 0.394
Cable access/outlet	270°

Electrical characteristics

Current carrying capacity	max. 1 A at 60 °C
Rated voltage	max. 60 V DC
Rated voltage UL	max. 56.5 V DC
Contact resistance	max. 20 mOhm
Through resistance	max. 200 mOhm
Insulation resistance	min. 500 MOhm
Dielectric strength conductor-conductor (secondary)	max. 1000 V DC
Dielectric strength conductor-conductor, peak value (secondary)	max. 1.000 V AC
Dielectric strength conductor-shield	max. 1500 V DC
Dielectric strength conductor-shield, peak value	max. 1500 V AC

Mechanical data

Cut-out	Keystone
Mounting method	snap-in function
Insertion and withdrawal force	max. 30 N
Life - Number of mating cycles	min. 1000
Position/mounting of latch standard installation position	bottom
strain relief	latching clip



C6_Amodul K 270° jack DNV - Keystone style

P/N

130B22-DNV

EAN 4251122185168

2026/02/19

Version: X

Technical Data

Materials and material properties

Material - Housing	GD-Zn
Material - Contact	Spring steel
Material - Contact finish	AuCo
Material - Shield	CuSn6
Material - Shield finish	tinned
Material - Stuffer cap	PA 6.6 UL94 V0
Material - Strain relief	PA 6.6 UL94 V0
RoHS	compliant

Environmental conditions

Rapid change of temperature	-40°C / -40°F - +70°C / 158°F / 25 cycles t=30 min
-----------------------------	--

Certifications

GHMT PVP		yes
DNV certification		yes

Standards/Regulations

Generic cabling systems	
General requirements	ISO/IEC 11801-1:2017-11 DIN EN 50173-1:2018-10 ANSI/TIA-568.2-D
Office buildings	ISO/IEC 11801-2:2017-11 DIN EN 50173-2:2018-10 ANSI/TIA-568.2-D
Living units	ISO/IEC 11801-4:2017-11 DIN EN 50173-4:2018-10 ANSI/TIA-570-D
Distributed building services	ISO/IEC 11801-6:2017-11 DIN EN 50173-6:2018-10 ANSI/TIA-862-B
Connectors for electronic equipment	
Free and fixed connectors	DIN EN 60603-7-51:2011-01, DIN EN 60603-7:2019-11, DIN EN 60603-7-1:2012-01
Connectors for electronic equipment - Tests and measurements	
Test standard for connectors (engaging and separating connectors under electrical load)	DIN-EN 60512-99-001, DIN-EN 60512-99-002
Endurance tests	DIN EN 60603-7:2019-11, DIN EN 60603-7-1:2012-01
Environmental tests according to DNV GL	CG-0339

Data sheet

Page 6/10

C6_Amodul K 270° jack DNV - Keystone style

P/N

130B22-DNV

EAN 4251122185168

2026/02/19

Version: X

Technical Data**Classifications**

ETIM 7.0	EC001121
ETIM 8.0	EC001121
ETIM 9.0	EC001121
ETIM 10.0	EC001121

Packing details

Type of packaging 10 pc(s) / box

Application note

This product is a standard product of METZ CONNECT. METZ CONNECT is not aware of the specific intended use of the goods by the Customer or any customers of the Customer. The Customer guarantees that it has fully and sufficiently tested the use of the goods and any product modifications, product changes or product enhancements with regard to the specific intended use in accordance with the state of the art or in any other way. At METZ CONNECT's request, the Customer shall submit and make available meaningful evidence (e.g. test and laboratory protocols, certifications, etc.).



Data sheet

Page 7/10

C6_Amodul K 270° jack DNV - Keystone style

P/N

130B22-DNV

EAN 4251122185168

2026/02/19

Version: X

Accessories

P/N	Designation
820032-0102-I	Dust protection cover for C6 _A modul pure white
820032-0103-I	Dust protection cover for C6 _A modul light gray
820032-0105-I	Dust protection cover for C6 _A modul yellow
820032-0106-I	Dust protection cover for C6 _A modul blue
820032-0107-I	Dust protection cover for C6 _A modul green
820032-0108-I	Dust protection cover for C6 _A modul red
820032-0129-H	Dust protection cover for C6 _A modul black, (250 pcs)
820032-0129-I	Dust protection cover for C6 _A modul black



Data sheet

Page 8/10

C6_Amodul K 270° jack DNV - Keystone style

P/N

130B22-DNV

EAN 4251122185168

2026/02/19

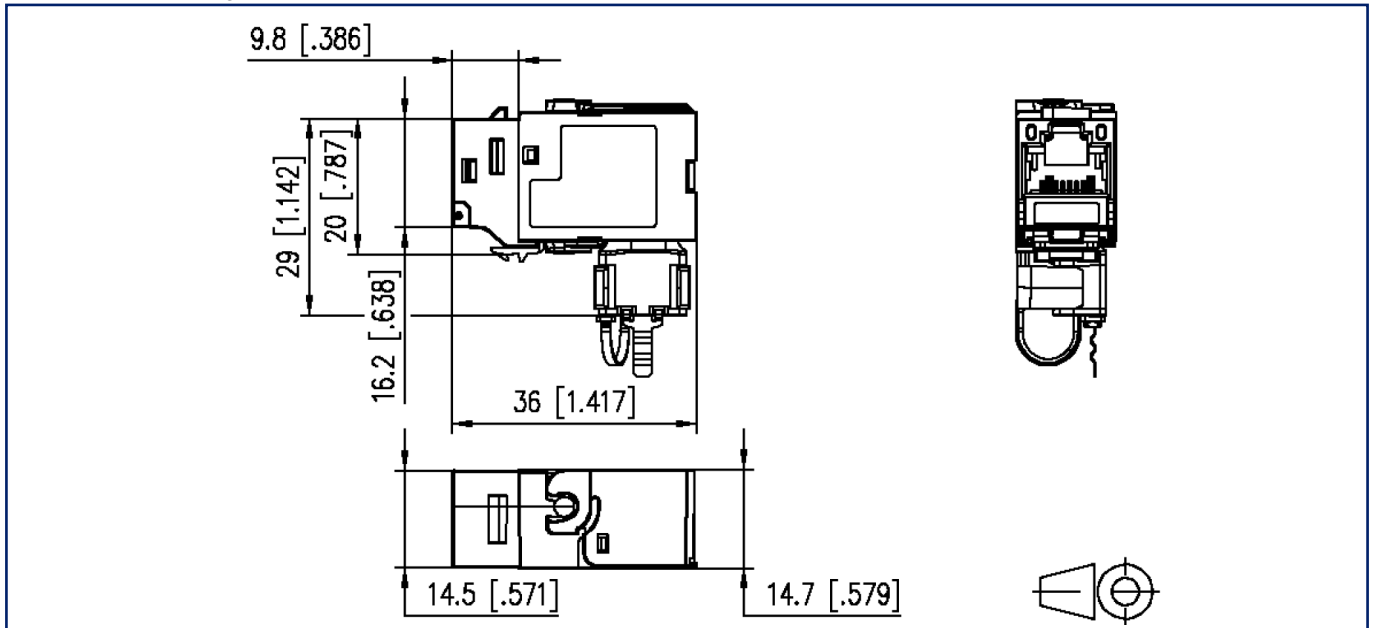
Version: X

Accessories from

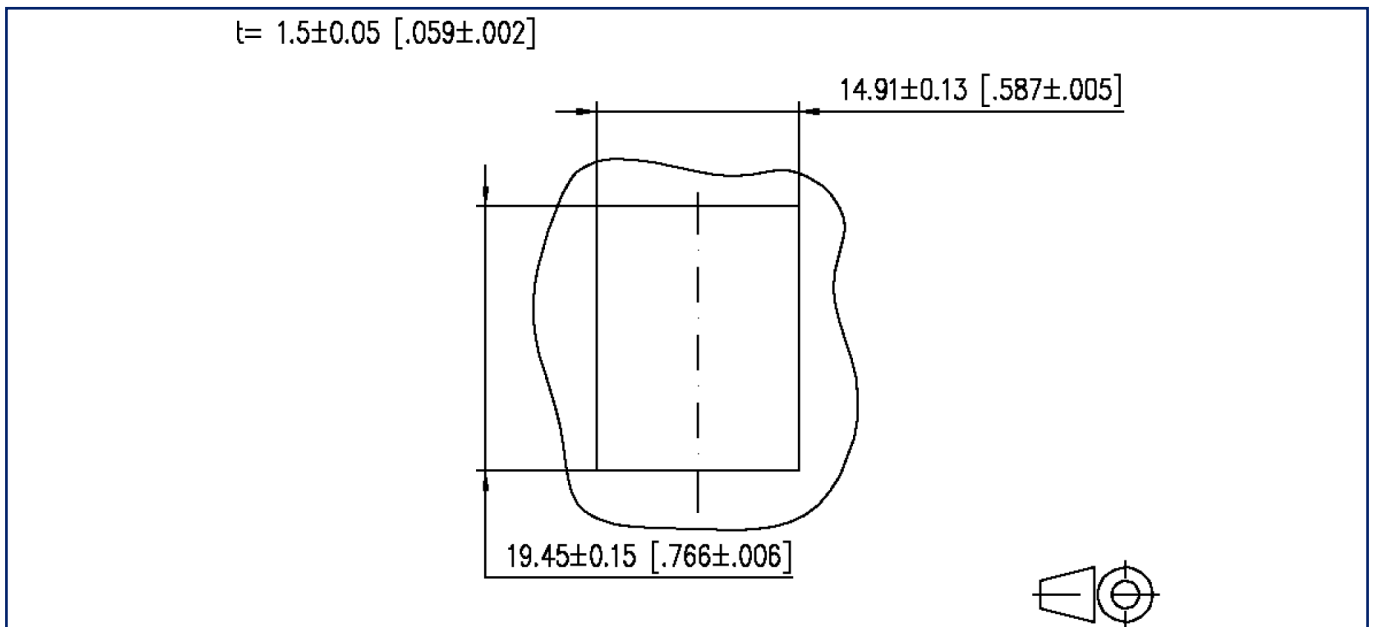
P/N	Designation
1309413103-E	E-DAT Industry IP67 V6 for keystone
1309413303-E	E-DAT Industry IP67 V6 for keystone with mounting kit
1309428103-E	Keystone REGplus IP20 light gray unequipped

Illustrations

Dimensional drawing



Cut-out



C6_Amodul K 270° jack DNV - Keystone style

P/N

130B22-DNV

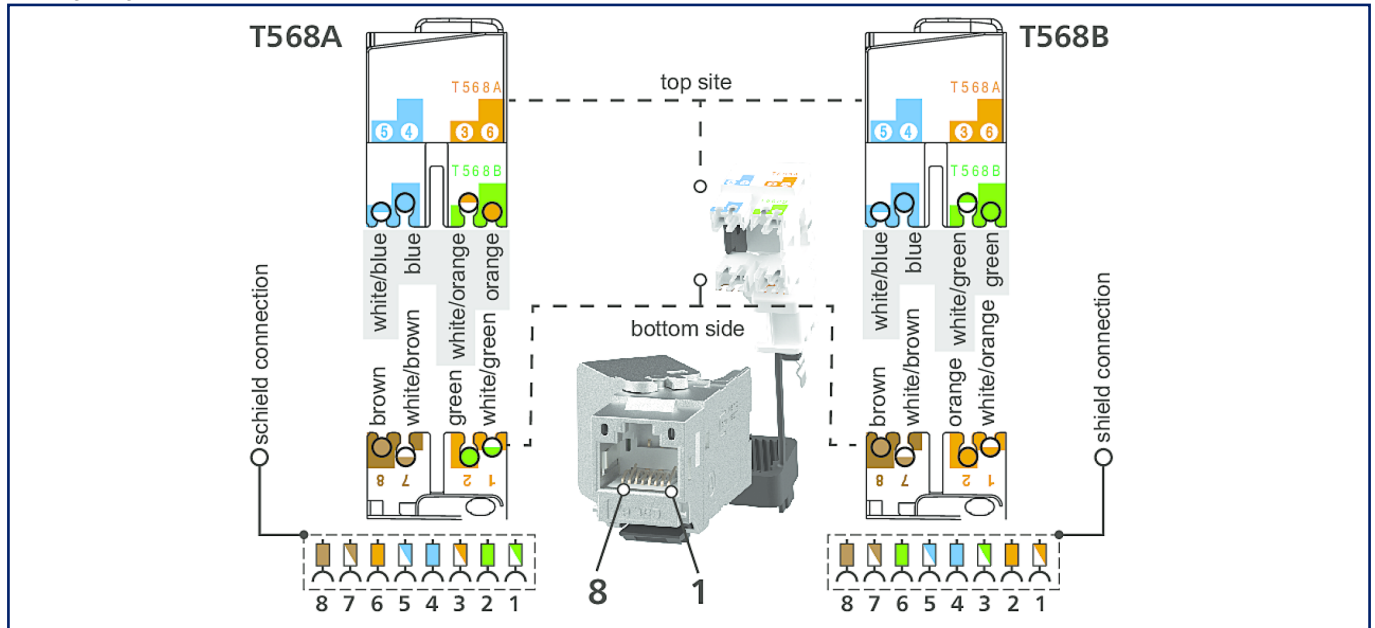
EAN 4251122185168

2026/02/19

Version: X

Illustrations

Wiring diagram



© 2026 METZ CONNECT - Technische Änderungen vorbehalten! Subject to modifications! Sous réserve de modifications techniques!

