

# Data sheet

## Keystone 19 inches module frame 1RU 24 port grey unequipped, shielded

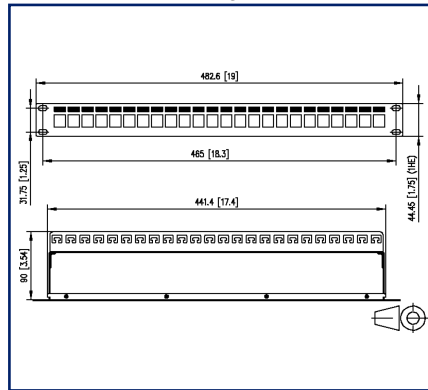
Page 1/6

P/N  
130926-0003KE  
EAN 4251122184369  
2025/09/17  
Version: Q

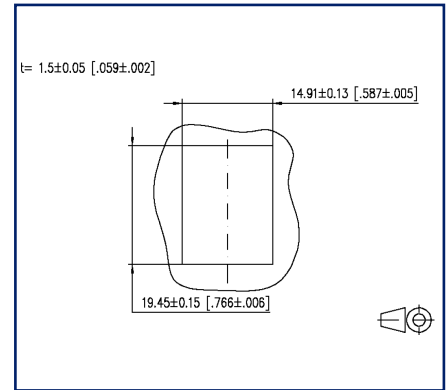
### Illustrations



Dimensional drawing



Cut-out



See enlarged drawings at the end of document

### Product specification

- Keystone 19 inch module frame 1RU 24 port
- unequipped, shielded
- for 24 individual modules, Keystone design
- module frame front made powder-coated steel
- module supports made of galvanized sheet steel
- additional strain relief possible on module support by cable ties
- grounding skrew with lock washer
- incl. 40 cm grounding cable
- all fully shielded modules are interconnected through the module support
- variants: black or gray



Data sheet

**Keystone 19 inches module frame 1RU 24 port grey  
unequipped,  
shielded**

P/N  
130926-0003KE  
EAN 4251122184369  
2025/09/17  
Version: Q

**Technical Data**

**General Data**

Fields of application	structured building cabling office areas data center
Mechanical measurement according to MICE	M1
Ingress measurement according to MICE	I1
Climatic measurement according to MICE	C1
Electromagnetic measurement according to MICE	E3
Design	patch panel
Mounting style	1RU
Shielding	shielded
Color	gray
Dimensions	
Dimension (L x W x H)	90 mm x 482.6 mm x 44.45 mm
Dimension (L x W x H)	3.543 in. x 19 in. x 1.75 in.
Inches	19 inches
Height unit	1RU
Labeling option	yes

**Connections/interfaces**

Number of ports interface 1	24
Number of equipped ports interface 1	0
Number of ports interface 2	24
Number of ports interface 2 equipped	0
Grounding wire length	0.4 m
Grounding wire length	1.31 ft

**Mechanical data**

Cut-out	Keystone
strain relief	cable tie

**Materials and material properties**

Material - Front cover	sheet steel
Material - Front cover finish	powder-coated
Material - Module support	sheet steel

Data sheet

Page 3/6

**Keystone 19 inches module frame 1RU 24 port grey  
unequipped,  
shielded**

P/N  
130926-0003KE  
EAN 4251122184369  
2025/09/17  
Version: Q

**Technical Data****Materials and material properties**

Material - Module support finish	Zn (zinc)
Halogen free	yes
RoHS	compliant

**Classifications**

ETIM 7.0	EC002006
ETIM 8.0	EC002006
ETIM 9.0	EC002006
ETIM 10.0	EC002006

**Packing details**

Type of packaging	8 pc(s) / box
-------------------	---------------

**Application note**

This product is a standard product of METZ CONNECT. METZ CONNECT is not aware of the specific intended use of the goods by the Customer or any customers of the Customer. The Customer guarantees that it has fully and sufficiently tested the use of the goods and any product modifications, product changes or product enhancements with regard to the specific intended use in accordance with the state of the art or in any other way. At METZ CONNECT's request, the Customer shall submit and make available meaningful evidence (e.g. test and laboratory protocols, certifications, etc.).



Data sheet

Page 4/6

# Keystone 19 inches module frame 1RU 24 port grey unequipped, shielded

P/N  
130926-0003KE  
EAN 4251122184369  
2025/09/17  
Version: Q

## Accessories

P/N	Designation
130792	Mounting kit, cage nuts M6
130898-0003KI	Keystone BLIND module light gray
130898-0029KI	Keystone BLIND module black
130910K-DNV	E-DAT modul Cat.6 <sub>A</sub> K jack - Keystone style DNV
130910KI	E-DAT modul Cat.6 <sub>A</sub> K jack - Keystone style
130910KZ	E-DAT modul Cat.6 <sub>A</sub> K jack - Keystone style (12 pcs)
130A08-I-B1	UTP modul Cat.5e white
130A10-29-I-B1	UTP modul 8(8) Cat.6 black
130A10-I-B1	UTP modul 8(8) Cat.6 white
130A11-29KI	UTP modul 8(8) Cat.6 <sub>A</sub> Keystone black
130A11KI	UTP modul 8(8) Cat.6 <sub>A</sub> Keystone white
820032-0102-I	Dust protection cover for C6 <sub>A</sub> modul pure white
820032-0103-I	Dust protection cover for C6 <sub>A</sub> modul light gray
820032-0105-I	Dust protection cover for C6 <sub>A</sub> modul yellow
820032-0106-I	Dust protection cover for C6 <sub>A</sub> modul blue
820032-0107-I	Dust protection cover for C6 <sub>A</sub> modul green
820032-0108-I	Dust protection cover for C6 <sub>A</sub> modul red
820032-0129-H	Dust protection cover for C6 <sub>A</sub> modul black, (250 pcs)
820032-0129-I	Dust protection cover for C6 <sub>A</sub> modul black

Data sheet

Page 5/6

**Keystone 19 inches module frame 1RU 24 port grey  
unequipped,  
shielded**

P/N

130926-0003KE

EAN 4251122184369

2025/09/17

Version: Q

**Accessories from**

P/N	Designation
130862-1H20-E	Surface mount housing for 19 inches patch panels 1RU pure white
130862-2H20-E	Surface mount housing for 19 inches patch panels 2RU pure white



Data sheet

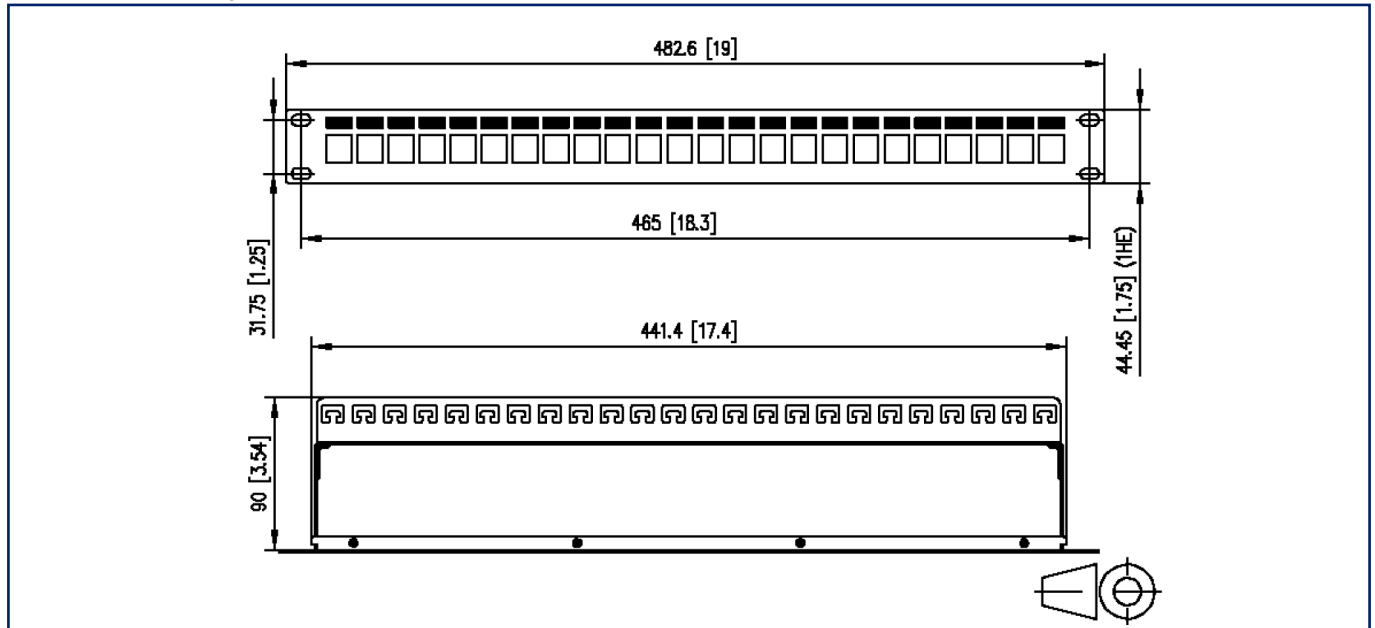
Page 6/6

**Keystone 19 inches module frame 1RU 24 port grey  
unequipped,  
shielded**

P/N  
130926-0003KE  
EAN 4251122184369  
2025/09/17  
Version: Q

**Illustrations**

Dimensional drawing



Cut-out

