

Data sheet

UAE modul Cat.6 jack white

Page 1/9

P/N
130909-I

EAN 4250184105466

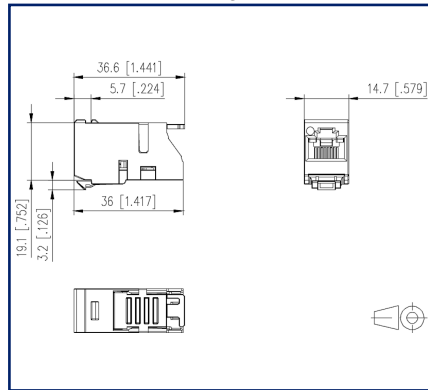
2025/09/17

Version: AR

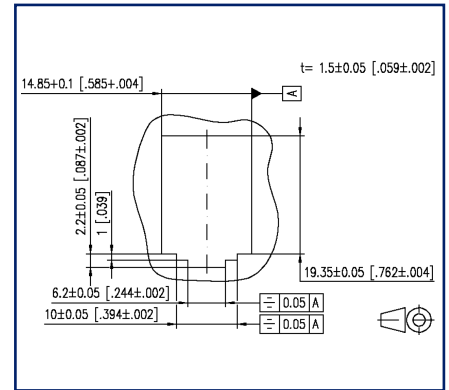
Illustrations



Dimensional drawing



Cut-out



See enlarged drawings at the end of document

Product specification

- unshielded Cat.6 class E UAE module
- for Gigabit Ethernet
- compliance with class E according to ISO/IEC 11801, DIN EN 50173-1
- suitable for Remote Powering (PoE, PoE plus and UPoE) and HDBaseT
- easy to install connection of 2 to 4-pair data lines AWG 24/1 - 22/1 and stranded wires with 7 copper conductors AWG 26/7 to BTR 8-fold insulation displacement connectors (IDC)
- optional strain relief with cable tie at UAE module
- installation shape: module
- variants: marking of conductor assignment to T568A and T568B



Data sheet
UAE modul Cat.6 jack white

Technical Data

General Data

Mechanical measurement according to MICE	M1
Ingress measurement according to MICE	I1
Climatic measurement according to MICE	C1
Electromagnetic measurement according to MICE	E1
Design	Jack
Shielding	unshielded
Transmission technology	Copper
Wiring	T568A and T568B
Color	white
Dimensions	
Dimension (L x W x H)	36 mm x 14.7 mm x 22.3 mm
Dimension (L x W x H)	1.417 in. x 0.579 in. x 0.878 in.
Modularity	yes
Labeling option	on housing

Transmission characteristics

Category (ISO)	6
Class (ISO/IEC)	E
Category (TIA)	6
Remote Powering	yes
PoE	IEEE 802.3af
PoE plus	IEEE 802.3at
UPoE	yes
HDBaseT	yes
Transmission rate up to 10 GBit	IEEE 802.3an

Connections/interfaces

Connector technology interface 1	IDC-connection
Connector technology interface 2	RJ45-jack
Number of ports interface 2	1
Number of ports interface 2 equipped	1
Number of positions/contacts interface 1	8
Number of positions/contacts interface 2	8P/8C

UAE modul Cat.6 jack white

P/N

130909-I

EAN 4250184105466

2025/09/17

Version: AR

Technical Data

Connections/interfaces

Termination data, solid wire (min. - max.)

Conductor cross section, solid wire	AWG 24/1 - AWG 22/1
Conductor cross section, solid wire	0.205 mm ² - 0.324 mm ²
Conductor diameter, solid wire (bare copper)	0.511 mm - 0.643 mm
Conductor diameter, solid wire (bare copper)	0.02 in. - 0.025 in.

Termination data, stranded wire (min. - max.)

Conductor cross section, stranded wire	AWG 26/7 - AWG 22/7
Conductor cross section, stranded wire	0.141 mm ² - 0.355 mm ²
Conductor diameter, stranded wire (bare copper)	0.483 mm - 0.762 mm
Conductor diameter, stranded wire (bare copper)	0.019 in. - 0.03 in.

Cable access/outlet 180°

Electrical characteristics

Current carrying capacity	max. 1 A
Rated voltage	max. 50 V
Contact resistance	max. 20 mOhm
Through resistance	max. 200 mOhm
Insulation resistance	min. 500 MOhm
Dielectric strength conductor-conductor (secondary)	min. 1000 V DC

Mechanical data

Cut-out	MC module
Mounting method	snap-in function
Insertion and withdrawal force	max. 20 N
Life - Number of mating cycles	min. 750
Position/mounting of latch standard installation position	top
strain relief	with cable tie, attached to module

Data sheet
UAE modul Cat.6 jack white

P/N
130909-I
EAN 4250184105466
2025/09/17
Version: AR

Technical Data

Materials and material properties

Material - Housing	PA 6.6 UL94 V0
Material - Contact	CuSn
Material - Contact finish	Ni + Au (nickel-gold)
Material - Stuffer cap	PA 6.6 UL94 V0
Material - Strain relief	PA 6.6 UL94 V0
RoHS	compliant

Environmental conditions

Temperature (min. - max.)	
Temperature - Storage °C	-40 °C - 70 °C
Temperature - Storage °F	-40 °F - 158 °F
Temperature - Operating °C	-40 °C - 70 °C
Temperature - Operating °F	-40 °F - 158 °F
Rapid change of temperature	-40°C / -40°F - +70°C / 158°F / 25 cycles t=30 min

Approvals

UL listed (file no.)		DUXR.E178484
----------------------	--	--------------

Standards/Regulations

Generic cabling systems	
General requirements	ANSI/TIA-568-B.2-10
Office buildings	ISO/IEC 11801 Ed.2.2: 2011-06 DIN EN 50173-2 ANSI/TIA-568-C
Living units	ISO/IEC 15018 DIN EN 50173-4 ANSI/TIA-570-B
Connectors for electronic equipment	
Free and fixed connectors	DIN EN 60603-7-4:2011-03
Connectors for electronic equipment - Tests and measurements	
Test standard for connectors (engaging and separating connectors under electrical load)	DIN-EN 60512-99-001, Pg. UEL1
Endurance tests	IEC 60512-9-3: 03-2009

Data sheet

Page 5/9

UAE modul Cat.6 jack white

P/N

130909-I

EAN 4250184105466

2025/09/17

Version: AR

Technical Data**Standards/Regulations**

Emission proof

Climate tests IEC 60512-11

Classifications

ETIM 7.0 EC001121

ETIM 8.0 EC001121

ETIM 9.0 EC001121

ETIM 10.0 EC001121

Packing details

Type of packaging 10 pc(s) / box

Application note

This product is a standard product of METZ CONNECT. METZ CONNECT is not aware of the specific intended use of the goods by the Customer or any customers of the Customer. The Customer guarantees that it has fully and sufficiently tested the use of the goods and any product modifications, product changes or product enhancements with regard to the specific intended use in accordance with the state of the art or in any other way. At METZ CONNECT's request, the Customer shall submit and make available meaningful evidence (e.g. test and laboratory protocols, certifications, etc.).



UAE modul Cat.6 jack white

P/N
130909-I

EAN 4250184105466

2025/09/17

Version: AR

Accessories from

P/N	Designation
130861-0202-E	Modul surface mount housing 2 port pure white, unequipped
130861-0302-E	Modul surface mount housing 3 port pure white, unequipped
130861-0402-E	Modul surface mount housing 4 port pure white, unequipped
130861-0602-E	Modul surface mount housing 6 port pure white, unequipped
130861-0802-E	Modul surface mount housing 8 port pure white, unequipped
130861-1202-E	Modul surface mount housing 12 port pure white, unequipped
130861-1602-E	Modul surface mount housing 16 port pure white, unequipped
130861-2402-E	Modul surface mount housing 2x12 port pure white, unequipped
130898018003-E	REGplus IRT-FF COAX F/F
1309107003-E	REGplus IP20 E-DAT modul
1309108003-E	REGplus IP20 FF E-DAT modul K
130920-00-E	Modul 19 inches module frame 1RU 24 Port light gray unequipped, shielded
130920-BK-E	Modul 19 inches module frame 1RU 24 port black unequipped, shielded
130920-E	E-DAT modul 24x8(8) 1RU patch panel Cat.6 _A , light gray
130921-00-E	Modul 19 inches module frame 1RU 24 port stainless steel unequipped
130921-E	E-DAT modul 24x8(8) 1RU patch panel Cat.6 _A , stainless steel
130922-00-E	6 port module frame 1RU
130922-02-E	E-DAT modul 6x8(8) 3RU patch panel Cat.6 _A
130922-03-E	E-DAT modul 6x8(8) for 1RU patch panel Cat.6 _A
130924-00-E	Modul 19 inches module frame 1.5RU 48 port stainless steel unequipped
130924-E	E-DAT modul 48x8(8) 1.5RU patch panel Cat.6 _A , stainless steel
130927-1200-E	SmartConnect Patchpanel 12 ports MC module
130927-1600-E	SmartConnect Patchpanel 16 ports MC module
130927-2400-E	SmartConnect Patchpanel 24 ports MC module
1309426003-E	E-DAT modul REG 1 port IP20 light gray
1309426103-E	E-DAT modul REG unequipped IP20 light gray
1309427103-E	Modul REGplus IP20 light gray unequipped
1309470002-I	IP44 surface-mounted module housing with hinged cover and lock, pure white, 2 port unequipped for MC module
1309470003-I	IP44 surface-mounted module housing with hinged cover and lock, gray, 2 port unequipped for MC module

UAE modul Cat.6 jack white

P/N

130909-I

EAN 4250184105466

2025/09/17

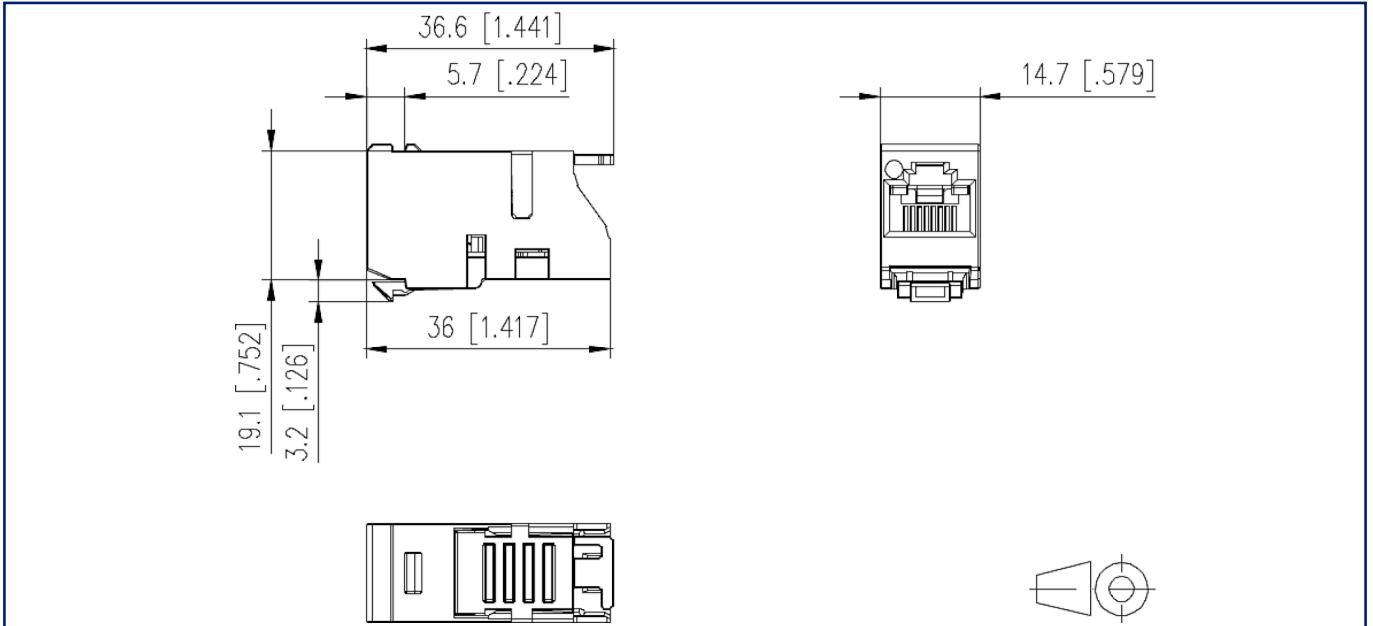
Version: AR

Accessories from

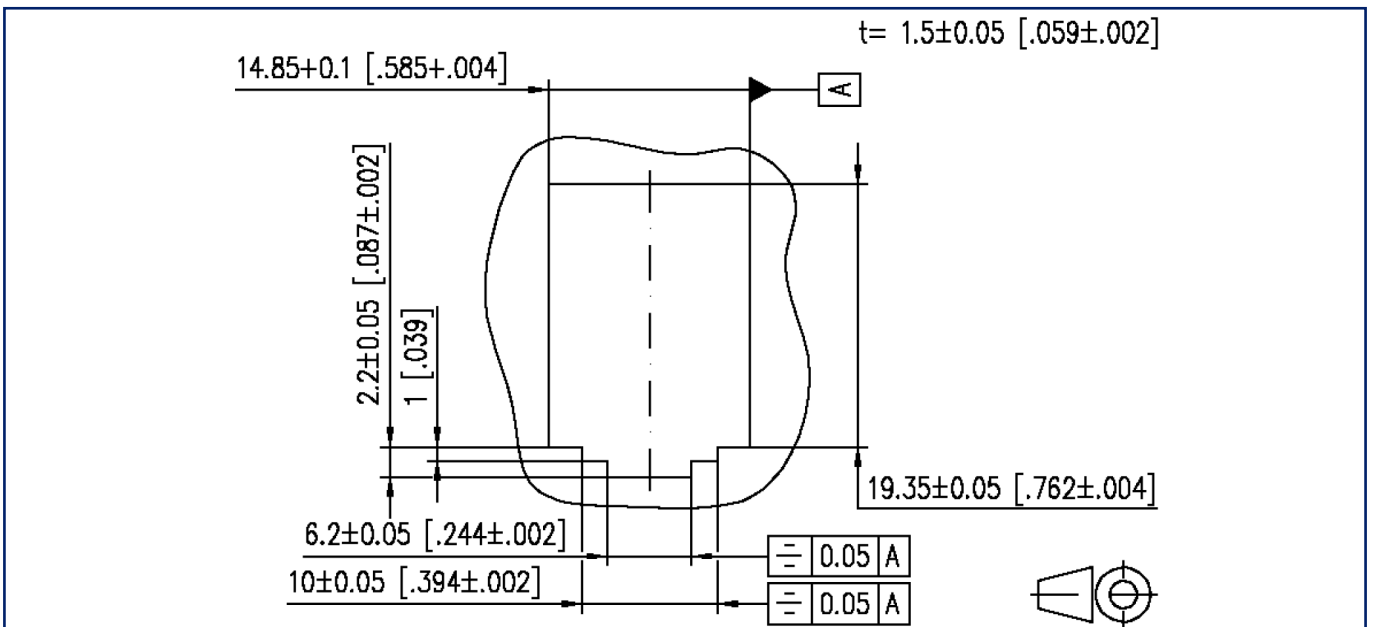
1309471002-I	Flush-mounted module housing with hinged cover and lock, pure white, 2 port unequipped for MC module
1309471003-I	Flush-mounted module housing with hinged cover and lock, gray, 2 port unequipped for MC module
1309A07003-E	REGplus IP20 E-DAT modul coupler 180°
1309A17003-E	REGplus IP20 E-DAT modul coupler 90°
130A088003-E	REGplus IP20 FF UTPmodul Cat.5e
130A108003-E	REGplus IP20 FF UTPmodul Cat.6
130A118003-E	REGplus IP20 FF UTPmodul Cat.6 _A
130B10E2E-E	Modul module frame 3RU, 7HP 6 port stainless steel unequipped
130B117003-E	REGplus IP20 C6 _A modul 180°M
130B11P0-BK-E	C6 _A modul 24 port 180°M 1RU, black
130B11P0-E	C6 _A modul 24 port 180°M 1RU, gray
130B11P1-E	C6 _A modul 24 port 180°M 1RU stainless steel
130B11P4-E	C6 _A modul 48 port 180°M 1.5RU stainless steel
130B127003-E	REGplus IP20 C6 _A modul 270°M
130B218003-E	REGplus IP20 FF C6 _A modul 180°K
130B228003-E	REGplus IP20 FF C6 _A modul 270°K
130D2CBU4-E	DCCS2 subassembly 4 port unequipped
14040000-E	MCO IP69k protective housing for outdoor use, set for exposed installation
14040010-E	MCO IP69k Protective housing for outdoor use, set with mounting bracket
14040100-E	MCO IP69k Protective housing for outdoor use, set wall/ housing bushing
1503600RJ00-B	OpDAT MV hybrid 12xmodule cutouts unequipped IP65
1503600RJ00-E	OpDAT MV hybrid 12xmodule cutouts unequipped IP54
15036ZRJ00-E	OpDAT MV patch panel 12xmodule cutouts unequipped

Illustrations

Dimensional drawing



Cut-out



Data sheet
UAE modul Cat.6 jack white

Page 9/9

P/N
130909-I
EAN **4250184105466**
2025/09/17
Version: AR

Illustrations

Wiring diagram

