

# Data sheet

## DIN rail adapter mini FS

Page 1/3

P/N

1308990112-I

EAN 4250184112181

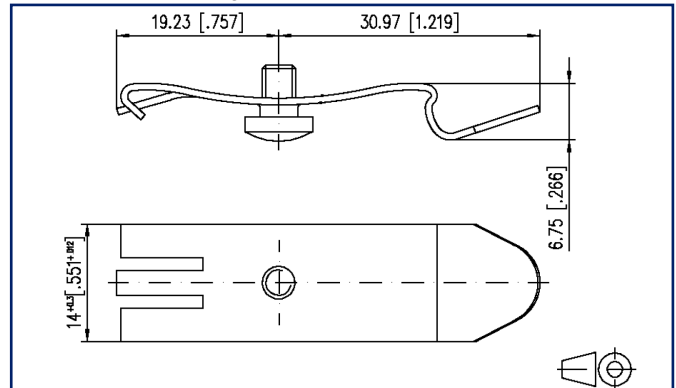
2025/09/17

Version: P

### Illustrations



Dimensional drawing



See enlarged drawings at the end of document

### Product specification

- to fasten light devices, such as wall outlets, on a top hat rail (TH35)
- packing unit: adapter and screw (M4x6)
- two top hat rail adapters mini FS are required for fastening one wall outlet



# Data sheet

## DIN rail adapter mini FS

Page 2/3

P/N  
1308990112-I  
EAN 4250184112181  
2025/09/17  
Version: P

### Technical Data

#### General Data

Mechanical measurement according to MICE	M1
Ingress measurement according to MICE	I1
Climatic measurement according to MICE	C1
Electromagnetic measurement according to MICE	E3
Design	DIN rail adapter
Mounting style	Accessories
Color	metallike
Dimensions	
Dimension (L x W x H)	6.75 mm x 14 mm x 50.2 mm
Dimension (L x W x H)	0.266 in. x 0.551 in. x 1.976 in.

#### Materials and material properties

Halogen free	yes
RoHS	compliant

#### Classifications

ETIM 7.0	EC000119
ETIM 8.0	EC000119
ETIM 9.0	EC000119
ETIM 10.0	EC000119

#### Packing details

Type of packaging	10 pc(s) / plastic bag
-------------------	------------------------

#### Application note

This product is a standard product of METZ CONNECT. METZ CONNECT is not aware of the specific intended use of the goods by the Customer or any customers of the Customer. The Customer guarantees that it has fully and sufficiently tested the use of the goods and any product modifications, product changes or product enhancements with regard to the specific intended use in accordance with the state of the art or in any other way. At METZ CONNECT's request, the Customer shall submit and make available meaningful evidence (e.g. test and laboratory protocols, certifications, etc.).



Data sheet  
**DIN rail adapter mini FS**

Page 3/3

P/N  
**1308990112-I**  
EAN 4250184112181  
2025/09/17  
Version: P

**Illustrations**

Dimensional drawing

