

Data sheet

COAX modul IEC plug / F jack, Keystone

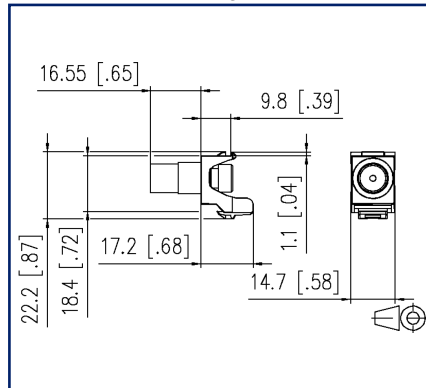
Page 1/5

P/N
130898-0303KI
EAN 4251394612485
2025/05/12
Version: D

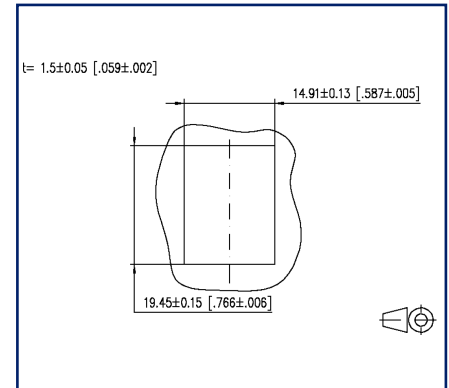
Illustrations



Dimensional drawing



Cut-out



See enlarged drawings at the end of document

Product specification

- Coax connector with adapter in Keystone design, suitable for Keystone applications
- front connection: for IEC jack
- rear connection: for F plug
- 75-Ohm throughput coupling
- without terminator and coupler elements



COAX modul IEC plug / F jack, Keystone

P/N

130898-0303KI

EAN 4251394612485

2025/05/12

Version: D

Technical Data

General Data

Mechanical measurement according to MICE	M1
Ingress measurement according to MICE	I1
Climatic measurement according to MICE	C1
Electromagnetic measurement according to MICE	E1
Design	Jack
Shielding	shielded
Transmission technology	Copper
Color	light gray
Dimensions	
Dimension (L x W x H)	30.05 mm x 14.7 mm x 22.2 mm
Dimension (L x W x H)	1.183 in. x 0.579 in. x 0.874 in.

Connections/interfaces

Number of ports interface 1	1
Number of ports interface 2	1
Number of equipped ports interface 1	1
Number of ports interface 2 equipped	1

Mechanical data

Cut-out	Keystone
---------	----------

Materials and material properties

Halogen free	yes
RoHS	compliant

Classifications

ETIM 7.0	EC001135
ETIM 8.0	EC001135
ETIM 9.0	EC001135

Application note

This product is a standard product of METZ CONNECT. METZ CONNECT is not aware of the specific intended use of the goods by the Customer or any customers of the Customer. The Customer guarantees that it has fully and sufficiently tested the use of the goods and any product modifications, product changes or product enhancements with regard to the specific intended use in accordance with the state of the art or in any other way. At METZ CONNECT's request, the Customer shall submit and make available meaningful evidence (e.g. test and laboratory protocols, certifications, etc.).

COAX modul IEC plug / F jack, Keystone

P/N

130898-0303KI

EAN 4251394612485

2025/05/12

Version: D

Accessories from

P/N	Designation
130861-0202KE	Keystone surface mount housing 2 port pure white, unequipped
130861-0302KE	Keystone surface mount housing 3 port pure white, unequipped
130861-0402KE	Keystone surface mount housing 4 port pure white, unequipped
130861-0602KE	Keystone surface mount housing 6 port pure white, unequipped
130861-0802KE	Keystone surface mount housing 8 port pure white, unequipped
130861-1202KE	Keystone surface mount housing 12 port pure white, unequipped
130861-1602KE	Keystone surface mount housing 16 port pure white, unequipped
130861-2402KE	Keystone surface mount housing 2x12 port pure white, unequipped
130910D1APLKE	Extension box 1 Port E-DAT Modul Keystone
130910D2APLKE	Extension box 2 port E-DAT modul Keystone
130920-00KE	Keystone 19 inch module frame 1RU 24 port light gray unequipped, shielded
130920-BKKE	Keystone 19 inch module frame 1RU 24 port black unequipped, shielded
130926-0029KE	Keystone 19 inch module frame 1RU 24 port black unequipped, shielded
130926A0003KE	Keystone 19 inch module frame 1RU 24 port angeled grey unequipped, shielded
130926A0029KE	Keystone 19 inch module frame 1RU 24 port angeled black unequipped, shielded
130926AA029KE	Keystone 19 inch module frame 1RU 24 ports 133° angled, black, unequipped, shielded
130927-1200KE	SmartConnect Patchpanel 12 port Keystone, unequipped
1309428103-E	Keystone REGplus IP20 light gray unequipped
1309470002KI	IP44 surface-mounted module housing with hinged cover and lock, pure white, 2 port unequipped for Keystone
1309470003KI	IP44 surface-mounted module housing with hinged cover and lock, gray, 2 port unequipped for Keystone
1309471002KI	Flush-mounted module housing with hinged cover and lock, pure white, 2 port unequipped for Keystone
1309471003KI	Flush-mounted module housing with hinged cover and lock, gray, 2 port unequipped for Keystone module
1309A0D2APLKE	Extension box 2 port E-DAT adapter
130A20-00-E	Keystone 19 inch module frame 1RU 24 port light gray unequipped, unshielded
130A20-BK-E	Keystone 19 inch module frame 1RU 24 port black unequipped, unshielded
130A21-00-E	Keystone 19 inch module frame 1RU 24 port stainless steel unequipped

Data sheet

Page 4/5

COAX modul IEC plug / F jack, Keystone

P/N

130898-0303KI

EAN 4251394612485

2025/05/12

Version: D

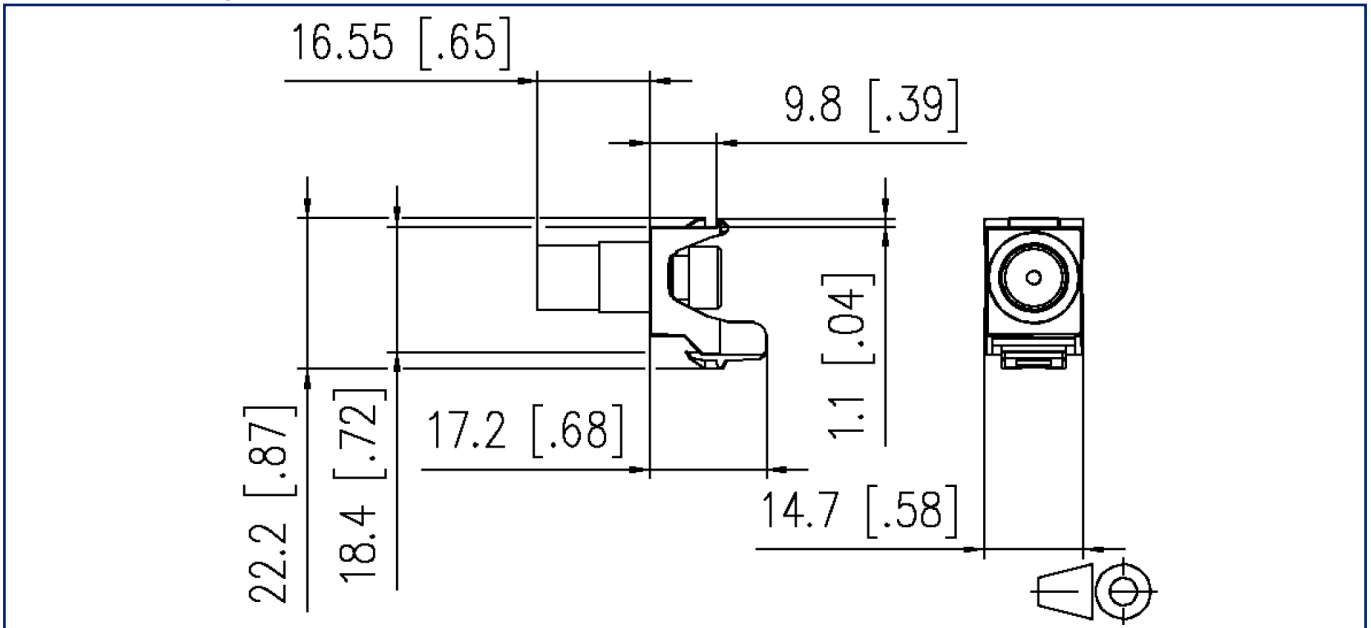
Accessories from

130A24-00-E	Keystone 19 inch module frame 1.5RU 48 port stainless steel unequipped
130B20E2E-E	Keystone module frame 3RU, 7HP 6 port stainless steel unequipped
130B21D1APL-E	Extension box 1 Port C6 _A modul Keystone
130B21D2APL-E	Extension box 2 port C6 _A modul Keystone
130D2CKU4-E	DCCS2 subassembly 4 port unequipped - Keystone



Illustrations

Dimensional drawing



Cut-out

