

Data sheet

UAE 50x8(4) Cat.3 patch panel, steel black

Page 1/7

P/N

130886-0203-E

EAN 4250184142560

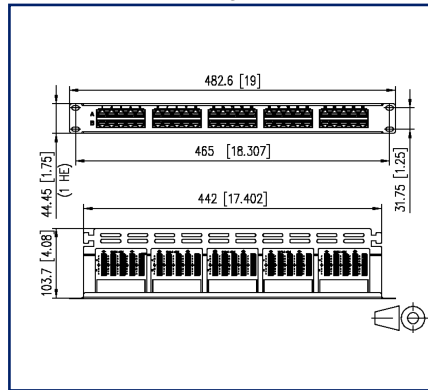
2025/09/18

Version: Z

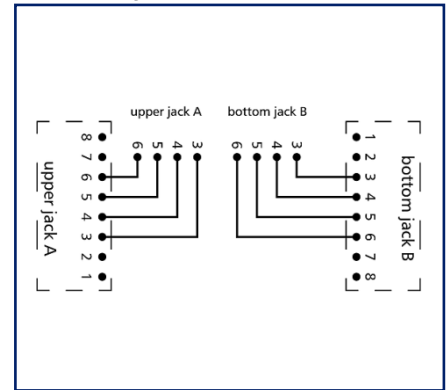
Illustrations



Dimensional drawing



Circuit diagram



See enlarged drawings at the end of document

Product specification

- 19 inch 1RU Cat.3 patch panel with 50 RJ45 jacks 8(4)
- 19 inch module frame made steel sheet, painted in black
- connection lines connected to LSA-PLUS® insulation displacement connectors (AWG 22-26)
- suitable for diameters of 0.4 to 0.06 mm
- suitable cable types: 10 x 10 DC, 4 x 25 DC, 2 x 50 DC (DC=double conductor)
- pin assignment to ISO/IEC 11801/EN 50173-1, the wire pairs can be led to the terminal without untwisting the pairs
- strain relief by means of cable ties on rear cable support



UAE 50x8(4) Cat.3 patch panel, steel black

P/N

130886-0203-E

EAN 4250184142560

2025/09/18

Version: Z

Technical Data

General Data

Fields of application	structured building cabling office areas Distributed building services data center
Mechanical measurement according to MICE	M1
Ingress measurement according to MICE	I1
Climatic measurement according to MICE	C1
Electromagnetic measurement according to MICE	E1
Design	patch panel
Mounting style	1RU
Transmission technology	Copper
Color	black
Dimensions	
Dimension (L x W x H)	104.9 mm x 482.6 mm x 44 mm
Dimension (L x W x H)	4.13 in. x 19 in. x 1.732 in.
Inches	19 inches
Height unit	1RU
Labeling option	printed numbers

Transmission characteristics

Category (ISO)	3
Category (TIA)	3
PoE	IEEE 802.3af

Connections/interfaces

Connector technology interface 1	LSA terminal block
Connector technology interface 2	RJ45-jack
Number of ports interface 2	50
Number of ports interface 2 equipped	50
Number of positions/contacts interface 1	50 x 4P/4C
Number of positions/contacts interface 2	50 x 8P/4C

UAE 50x8(4) Cat.3 patch panel, steel black

P/N

130886-0203-E

EAN 4250184142560

2025/09/18

Version: Z

Technical Data

Connections/interfaces

Termination data, solid wire (min. - max.)

Conductor cross section, solid wire	AWG 26/1 - AWG 22/1
Conductor cross section, solid wire	0.128 mm ² - 0.324 mm ²
Conductor diameter, solid wire (bare copper)	0.409 mm - 0.643 mm
Conductor diameter, solid wire (bare copper)	0.016 in. - 0.025 in.
Core diameter (min. - max.)	
Core diameter (conductor with insulation)	0.7 mm - 1.4 mm
Core diameter (conductor with insulation)	0.028 in. - 0.055 in.

Mechanical data

Insertion and withdrawal force	max. 20 N
Life - Number of mating cycles	min. 250
Position/mounting of latch standard installation position	top and bottom

Materials and material properties

Material - Module support	sheet steel
Halogen free	yes
RoHS	compliant

Environmental conditions

Temperature (min. - max.)	
Temperature - Storage °C	-40 °C - 70 °C
Temperature - Storage °F	-40 °F - 158 °F
Temperature - Operating °C	-40 °C - 70 °C
Temperature - Operating °F	-40 °F - 158 °F

Standards/Regulations

Generic cabling systems	
General requirements	ISO/IEC 11801-1:2017-11 DIN EN 50173-1:2018-10 ANSI/TIA-568.2-D

Data sheet

Page 4/7

UAE 50x8(4) Cat.3 patch panel, steel black

P/N

130886-0203-E

EAN 4250184142560

2025/09/18

Version: Z

Technical Data**Classifications**

ETIM 7.0	EC001128
ETIM 8.0	EC001128
ETIM 9.0	EC001128
ETIM 10.0	EC001128

Packing details

Type of packaging 1 pc(s) / box

Application note

This product is a standard product of METZ CONNECT. METZ CONNECT is not aware of the specific intended use of the goods by the Customer or any customers of the Customer. The Customer guarantees that it has fully and sufficiently tested the use of the goods and any product modifications, product changes or product enhancements with regard to the specific intended use in accordance with the state of the art or in any other way. At METZ CONNECT's request, the Customer shall submit and make available meaningful evidence (e.g. test and laboratory protocols, certifications, etc.).



Data sheet

Page 5/7

UAE 50x8(4) Cat.3 patch panel, steel black

P/N

130886-0203-E

EAN 4250184142560

2025/09/18

Version: Z

Accessories

P/N	Designation
130792	Mounting kit, cage nuts M6
130818-E	Crimp Tool LSA-PLUS®



Data sheet

Page 6/7

UAE 50x8(4) Cat.3 patch panel, steel black

P/N

130886-0203-E

EAN 4250184142560

2025/09/18

Version: Z

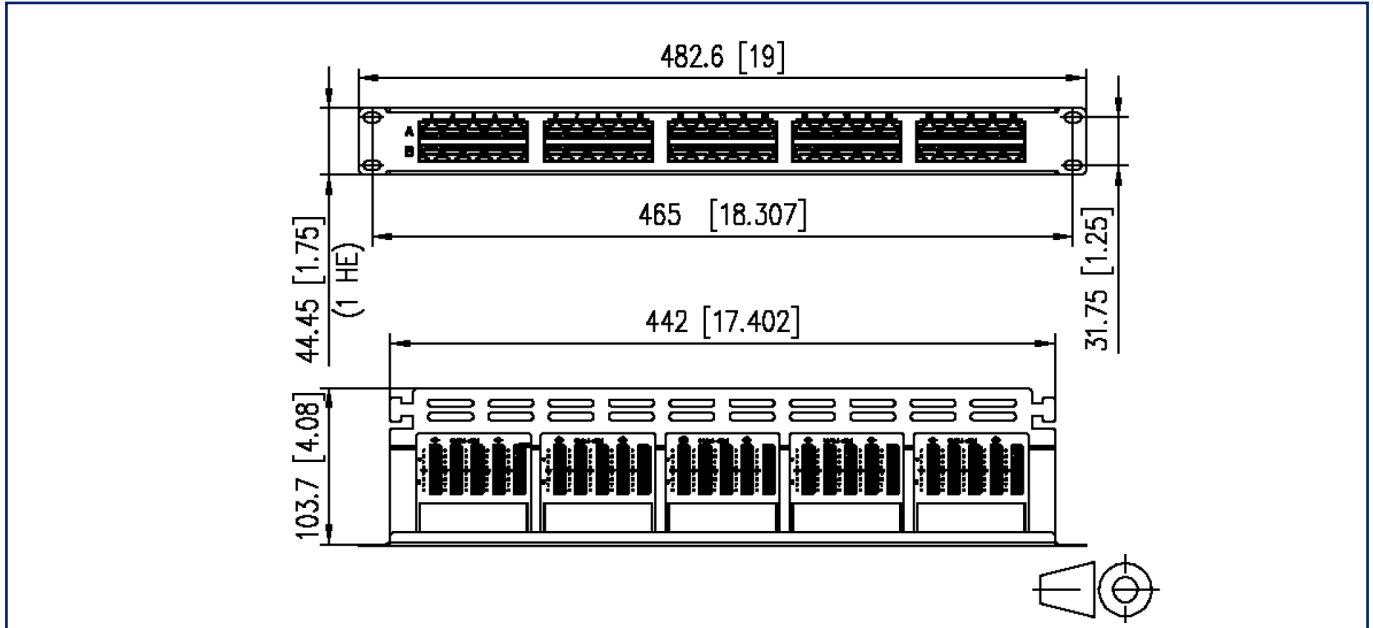
Accessories from

P/N	Designation
130862-1H20-E	Surface mount housing for 19 inches patch panels 1RU pure white
130862-2H20-E	Surface mount housing for 19 inches patch panels 2RU pure white



Illustrations

Dimensional drawing



Circuit diagram

