

Data sheet

**Patch cord Cat.6 Ultraflex500 VoIP
AWG 26 0.3 m white**

Page 1/8

P/N
13084U0388-E
EAN 4251394668802
2026/04/29
Version: F

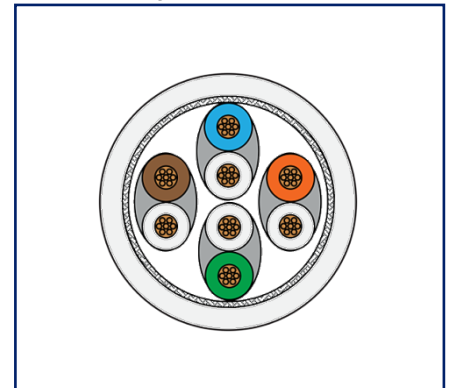
Illustrations



Dimensional drawing



Principle diagram



See enlarged drawings at the end of document

Product specification

- ideal solution in case of limited space
- especially suitable for shielded and unshielded class E_A systems
- fully shielded Cat.6 patch cord AWG 26/7
- two shielded RJ45 connectors, 1:1 assignment
- cable type: S/FTP 4x2xAWG 26/7 PIMF
- cable sheath: PUR-RUB
- very short cable boot
- especially suitable for VoIP terminal devices
- bending radius of up to 10 mm possible
- considerably longer durability than standard patch cords
- up to 8500 movement cycles possible under load



Data sheet
Patch cord Cat.6 Ultraflex500 VoIP
AWG 26 0.3 m white

Technical Data

General Data

Fields of application	structured building cabling Consolidation points office areas Distributed building services data center Tertiary
Mechanical measurement according to MICE	M1
Ingress measurement according to MICE	I1
Climatic measurement according to MICE	C1
Electromagnetic measurement according to MICE	E2
Design	patch cord
Shielding	shielded
Transmission technology	Copper
Cable Type	S/FTP
Number of twisting elements	4
Twisting element	Pair
Wiring	1 - 1
Color coding fiber/ wire(s)	white/orange, orange, white/green, green, white/brown, brown, white/blue, blue
Color	white
Dimensions	
Dimension - Interface 1 (L x W x H)	27.4 mm x 13.71 mm x 15.5 mm
Dimension - Interface 1 (L x W x H)	1.079 in. x 0.54 in. x 0.61 in.
Dimension - Interface 2 (L x W x H)	27.4 mm x 13.71 mm x 15.5 mm
Dimension - Interface 2 (L x W x H)	1.079 in. x 0.54 in. x 0.61 in.
Cable length (m)	0.3 m
Cable length (ft)	0.98 ft
Weight	33 g
Weight	0.0728 lb

© 2026 METZ CONNECT - Technische Änderungen vorbehalten! Subject to modifications! Sous réserve de modifications techniques!

**Patch cord Cat.6 Ultraflex500 VoIP
AWG 26 0.3 m white**

P/N
13084U0388-E
EAN 4251394668802
2026/04/29
Version: F

Technical Data

Transmission characteristics	
Category (ISO)	6
Class (ISO/IEC)	E _A
Category (TIA)	6
Remote Powering	yes
PoE	IEEE 802.3af
PoE plus	IEEE 802.3at
UPoE	yes
Transmission rate up to 100 MBit (Fast Ethernet)	IEEE 802.3u
Transmission rate up to 1 GBit (Fast Ethernet)	IEEE 802.3ab
Transmission rate up to 10 GBit	IEEE 802.3an

Connections/interfaces	
Connector technology interface 1	RJ45 plug
Connector technology interface 2	RJ45 plug
Number of ports interface 1	1
Number of ports interface 2	1
Number of equipped ports interface 1	1
Number of ports interface 2 equipped	1
Number of positions/contacts interface 1	8P/8C
Number of positions/contacts interface 2	8P/8C
Termination data, stranded wire (min. - max.)	
Conductor cross section, stranded wire	AWG 26/7
Conductor cross section, stranded wire	0.141 mm ²
Conductor diameter, stranded wire (bare copper)	0.47 mm - 0.51 mm
Conductor diameter, stranded wire (bare copper)	0.019 in. - 0.02 in.
Core diameter (min. - max.)	
Core diameter	0.98 mm
Core diameter	0.039 in.

Data sheet

Page 4/8

**Patch cord Cat.6 Ultraflex500 VoIP
AWG 26 0.3 m white**

P/N
13084U0388-E
EAN 4251394668802
2026/04/29
Version: F

Technical Data

Connections/interfaces

Cable sheath diameter (min. - max.)

Cable sheath diameter	6 mm
-----------------------	------

Electrical characteristics

Current carrying capacity	max. 1 A
Rated voltage	max. 60 V DC
Contact resistance	max. 20 mOhm
Through resistance	max. 200 mOhm
Loop resistance	142 Ohm/km
Insulation resistance	min. 100 MOhm
Dielectric strength conductor-conductor (primarily)	max. 500 V DC
Dielectric strength conductor-conductor (primarily)	max. 500 V AC
Dielectric strength conductor-conductor (secondary)	max. 500 V DC
Dielectric strength conductor-conductor, peak value (secondary)	max. 500 V AC

Mechanical data

Position/mounting of latch standard installation position	top
Bending radius without load	10 mm
Bending radius without load	0.394 in.
Number of alternating bending cycles (mechanical resistance) at:	max. 8500

Materials and material properties

Cable

Material - Conductor	Cu (copper)
Material - Conductor Insulation	Foam-Skin Polyethylen
Material - Cable jacket	PUR-RUB

Interface 1

Material - Plug housing interface 1	PC (polycarbonate)
Material - Contact interface 1	CuSn
Material - Contact finish interface 1	Au (gold)
Material - Contact carriers interface 1	Plastics
Material - Shield interface 1	CuSn

Data sheet
Patch cord Cat.6 Ultraflex500 VoIP
AWG 26 0.3 m white

Technical Data

Materials and material properties

Interface 1	
Material - Shield finish interface 1	Sn
Interface 2	
Material - Plug housing interface 2	PC (polycarbonate)
Material - Contact interface 2	CuSn
Material - Contact finish interface 2	Au (gold)
Material - Contact carriers interface 2	Plastics
Material - Shield interface 2	CuSn
Material - Shield finish interface 2	Sn
Material - Pair shield	Aluminium/Polyester
Material - Main shield	Cu (copper) braid
RoHS	compliant

Environmental conditions

Temperature (min. - max.)	
Temperature - Storage °C	-40 °C - 70 °C
Temperature - Storage °F	-40 °F - 158 °F
Temperature - Operating °C	-40 °C - 70 °C
Temperature - Operating °F	-40 °F - 158 °F

Standards/Regulations

Generic cabling systems	
General requirements	ISO/IEC 11801-1 DIN EN 50173-1 ANSI/TIA-568.2-D
Office buildings	ISO/IEC 11801-2 DIN EN 50173-2 ANSI/TIA-568.2-D
Living units	ISO/IEC 11801-4 DIN EN 50173-4 ANSI/TIA-570-D
Data centers	ISO/IEC 11801-5 DIN EN 50173-5 ANSI/TIA-942-B
Connectors for electronic equipment	
Free and fixed connectors	IEC 60603-7-51
Specification for the testing of balanced and coaxial information technology cabling	
Cords as specified in ISO/IEC 11801 and related standards	following to IEC 61935-2

Data sheet

Page 6/8

**Patch cord Cat.6 Ultraflex500 VoIP
AWG 26 0.3 m white**

P/N

13084U0388-E

EAN 4251394668802

2026/04/29

Version: F

Technical Data**Classifications**

ETIM 7.0	EC001262
ETIM 8.0	EC001262
ETIM 9.0	EC001262
ETIM 10.0	EC001262

Packing details

Type of packaging 1 pc(s) / plastic bag

Application note

This product is a standard product of METZ CONNECT. METZ CONNECT is not aware of the specific intended use of the goods by the Customer or any customers of the Customer. The Customer guarantees that it has fully and sufficiently tested the use of the goods and any product modifications, product changes or product enhancements with regard to the specific intended use in accordance with the state of the art or in any other way. At METZ CONNECT's request, the Customer shall submit and make available meaningful evidence (e.g. test and laboratory protocols, certifications, etc.).



Data sheet

Page 7/8

**Patch cord Cat.6 Ultraflex500 VoIP
AWG 26 0.3 m white**

P/N

13084U0388-E

EAN 4251394668802

2026/04/29

Version: F

Accessories from

P/N	Designation
130927-1200-E	SmartConnect Patchpanel 12 ports MC module
130927-1600-E	SmartConnect Patchpanel 16 ports MC module
130927-2400-E	SmartConnect Patchpanel 24 ports MC module

Data sheet

Page 8/8

Patch cord Cat.6 Ultraflex500 VoIP
AWG 26 0.3 m white

P/N

13084U0388-E

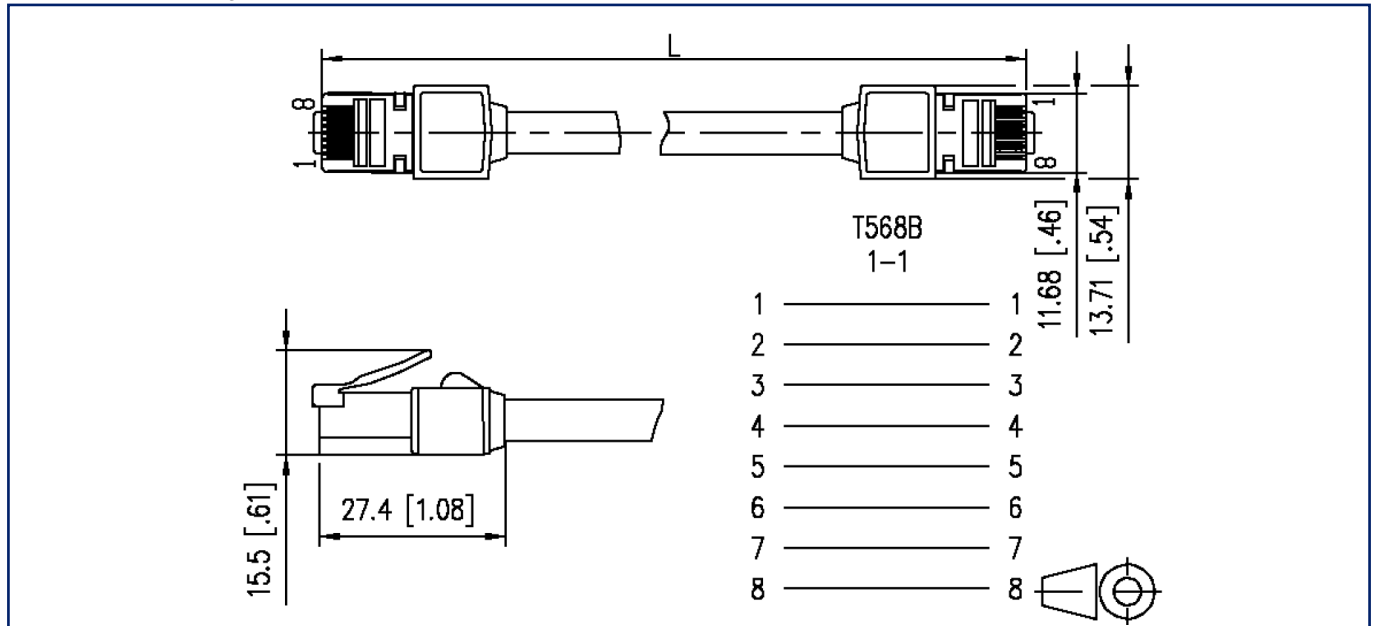
EAN 4251394668802

2026/04/29

Version: F

Illustrations

Dimensional drawing



Principle diagram

