

Data sheet

Page 1/6

Surface mount frame 85 x 85 x 35 mm - single, pearl white

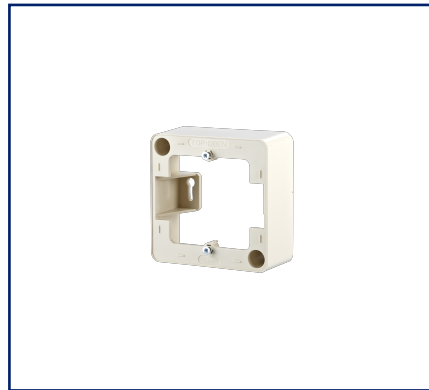
P/N
130829-01-I

EAN 4250184103677

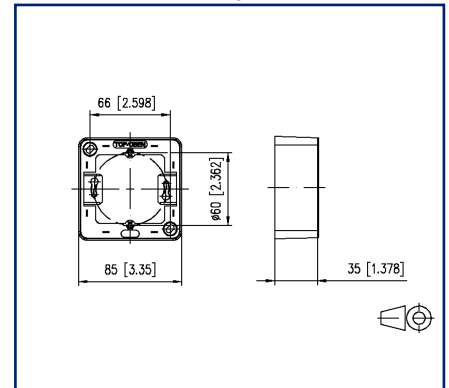
2025/09/17

Version: Q

Illustrations



Dimensional drawing



See enlarged drawings at the end of document

Product specification

- extension of flush-mounted wall outlets to surface-mounted wall outlets
- dimensions (L x W x H) 85.0 x 85.0 x 35.0 mm
- additional fastening in 60.0 mm hole distance on flush-mounted cups
- glossy surface
- traffic white (RAL 9016), pure white (RAL 9010) or pearl white (RAL 1013)
- variants: traffic white, pure white, pearl white



Surface mount frame 85 x 85 x 35 mm - single, pearl white

P/N
130829-01-I

EAN 4250184103677

2025/09/17

Version: Q

Technical Data

General Data

Mechanical measurement according to MICE	M1
Ingress measurement according to MICE	I1
Climatic measurement according to MICE	C1
Electromagnetic measurement according to MICE	E1
Design	frame
Mounting style	Flush-mounted to wall mounted
Color	pearl white RAL 1013
Dimensions	
Dimension (L x W x H)	35 mm x 85 mm x 85 mm
Dimension (L x W x H)	1.378 in. x 3.346 in. x 3.346 in.

Materials and material properties

Material	ABS
Halogen free	yes
RoHS	compliant

Classifications

ETIM 7.0	EC000080
ETIM 8.0	EC000080
ETIM 9.0	EC000080
ETIM 10.0	EC000080

Packing details

Type of packaging	10 pc(s) / box
-------------------	----------------

Application note

This product is a standard product of METZ CONNECT. METZ CONNECT is not aware of the specific intended use of the goods by the Customer or any customers of the Customer. The Customer guarantees that it has fully and sufficiently tested the use of the goods and any product modifications, product changes or product enhancements with regard to the specific intended use in accordance with the state of the art or in any other way. At METZ CONNECT's request, the Customer shall submit and make available meaningful evidence (e.g. test and laboratory protocols, certifications, etc.).

Surface mount frame 85 x 85 x 35 mm - single, pearl white

P/N
130829-01-I

EAN 4250184103677

2025/09/17

Version: Q

Accessories from

P/N	Designation
130039101-I	IAE design 8(4)R UP miniature terminal block pearl white
130039111-I	IAE design 8(4)R UPk miniature terminal block pearl white
130039120-I	IAE design 8(4)R UP0 miniature terminal block
130040101-I	IAE design 2x8(4)R UP miniature terminal block pearl white
130040111-I	IAE design 2x8(4)R UPk miniature terminal block pearl white
130040120-I	IAE design 2x8(4)R UP0 miniature terminal block
130060101-I	UAE design 8(8) UP miniature terminal block pearl white
130060111-I	UAE design 8(8) UPk miniature terminal block pearl white
130060120-I	UAE design 8(8) UP0 miniature terminal block
130061101-I	UAE design 8/8(8) UP miniature terminal block pearl white
130061111-I	UAE design 8/8(8) UPk miniature terminal block pearl white
130061120-I	UAE design 8/8(8) UP0 miniature terminal block
130062101-I	UAE design 2x8(8) UP miniature terminal block pearl white
130062111-I	UAE design 2x8(8) UPk miniature terminal block pearl white
130062120-I	UAE design 2x8(8) UP0 miniature terminal block
130063101-I	UAE design 8(4) UP miniature terminal block pearl white
130063111-I	UAE design 8(4) UPk miniature terminal block pearl white
130063120-I	UAE design 8(4) UP0 miniature terminal block
130064101-I	UAE design 8/8(4) UP miniature terminal block pearl white
130064111-I	UAE design 8/8(4) UPk miniature terminal block pearl white
130064120-I	UAE design 8/8(4) UP0 miniature terminal block
130065101-I	UAE design 2x8(4) UP miniature terminal block pearl white
130065111-I	UAE design 2x8(4) UPk miniature terminal block pearl white
130065120-I	UAE design 2x8(4) UP0 miniature terminal block
1307370001-I	E-DAT C6 1 port AP pearl white
1307371001-I	E-DAT C6 1 port UP pearl white
1307371101-I	E-DAT C6 1 port UPk pearl white
1307371200-I	E-DAT C6 1 port flush mounted without cover
1307380001-I	E-DAT C6 2 port AP pearl white
1307381001-I	E-DAT C6 2 port UP pearl white
1307381101-I	E-DAT C6 2 port UPk pearl white
1307381200-I	E-DAT C6 2 port flush mounted without cover

Surface mount frame 85 x 85 x 35 mm - single, pearl white

P/N

130829-01-I

EAN 4250184103677

2025/09/17

Version: Q

Accessories from

1307441001-I	E-DAT design 2 port UP Cat.6, pearl white
1307441101-I	E-DAT design 2 port UPk Cat.6, pearl white
1307441200-I	E-DAT design 2 port flush mounted without cover Cat.6
1307444001-I	E-DAT design 2 port EK Cat.6, pearl white
1309110001-E	E-DAT modul 1 port AP Cat.6 _A , pearl white
1309111001-E	E-DAT modul 1 port UP Cat.6 _A , pearl white
1309111101-E	E-DAT modul 1 port UPk Cat.6 _A , pearl white
1309111200-E	E-DAT modul 1 port flush mounted without cover Cat.6 _A
1309121001-E	E-DAT modul 2 port UP Cat.6 _A , pearl white
1309121101-E	E-DAT modul 2 port UPk Cat.6 _A , pearl white
1309121200-E	E-DAT modul 2 port flush mounted without cover Cat.6 _A
1309131001-E	E-DAT modul 3 port UP Cat.6 _A , pearl white
1309131101-E	E-DAT modul 3 port UPk Cat.6 _A , pearl white
1309131200-E	E-DAT modul 3 port flush mounted without cover Cat.6 _A
1309140001-E	Modul wall outlet AP 1 port pearl white unequipped
1309141001-E	Modul wall outlet UP 1 port pearl white unequipped
1309141101-E	Modul wall outlet UPk 1 port pearl white unequipped
1309141200-E	Modul wall outlet flush mounted without cover 3 port unequipped
1309150001-E	Modul wall outlet AP 2 port pearl white unequipped
1309151001-E	Modul wall outlet UP 2 port pearl white unequipped
1309151101-E	Modul wall outlet UPk 2 port pearl white unequipped
1309151200-E	Modul wall outlet flush mounted without cover 2 port unequipped
1309160001-E	Modul wall outlet AP 3 port pearl white unequipped
1309161001-E	Modul wall outlet UP 3 port pearl white unequipped
1309161101-E	Modul wall outlet UPk 3 port pearl white unequipped
130B20D11200KE	Keystone wall outlet flush mounted without cover 1 port unequipped
130B20D21200KE	Keystone wall outlet flush mounted without cover 2 port unequipped
130B20D31200KE	Keystone wall outlet flush mounted without cover 3 port unequipped
130C370001-I	E-DAT C6 _A 1 port AP pearl white
130C371001-I	E-DAT C6 _A 1 port UP pearl white
130C371101-I	E-DAT C6 _A 1 port UPk pearl white



Data sheet

Page 5/6

Surface mount frame 85 x 85 x 35 mm - single, pearl white

P/N

130829-01-I

EAN 4250184103677

2025/09/17

Version: Q

Accessories from

130C371200-I	E-DAT C6 _A 1 port flush mounted without cover
130C380001-I	E-DAT C6 _A 2 port AP pearl white
130C381001-I	E-DAT C6 _A 2 port UP pearl white
130C381101-I	E-DAT C6 _A 2 port UPk pearl white
130C381200-I	E-DAT C6 _A 2 port flush mounted without cover



Data sheet

Page 6/6

Surface mount frame 85 x 85 x 35 mm - single, pearl white

P/N

130829-01-I

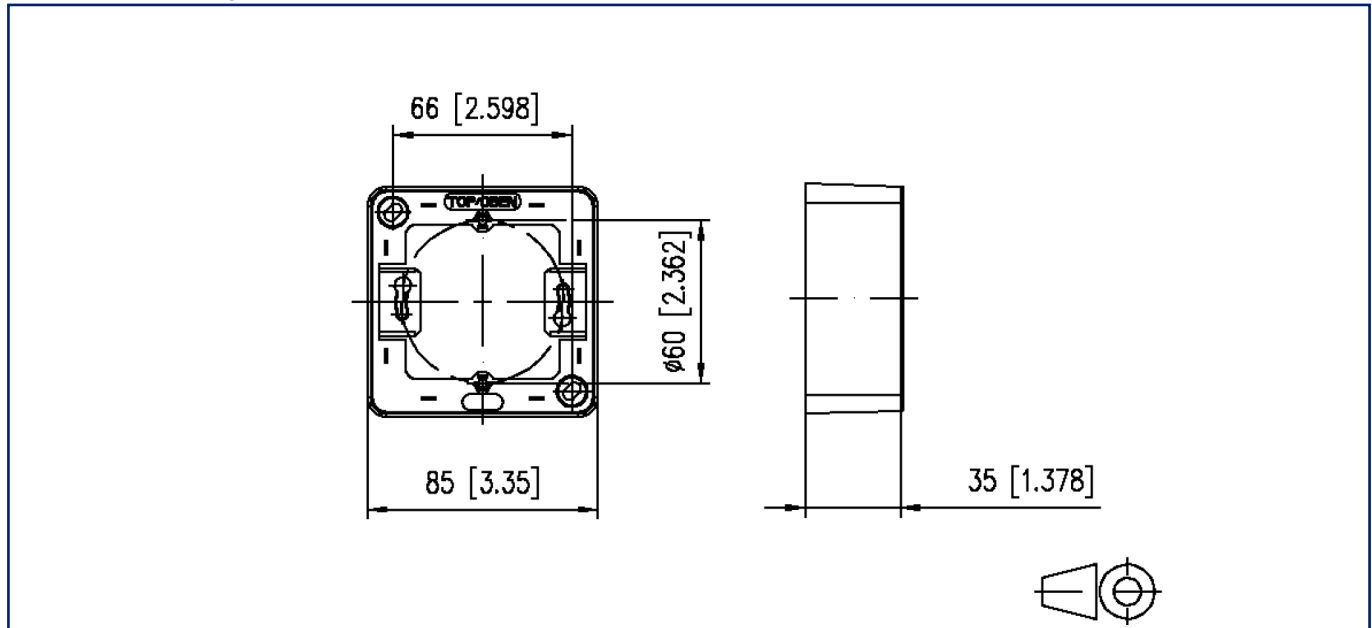
EAN 4250184103677

2025/09/17

Version: Q

Illustrations

Dimensional drawing



Drill pattern

