

# Data sheet

## KAPRI plus test boxes 6 to 9

Page 1/6

P/N  
130672-E

EAN 4250184102489

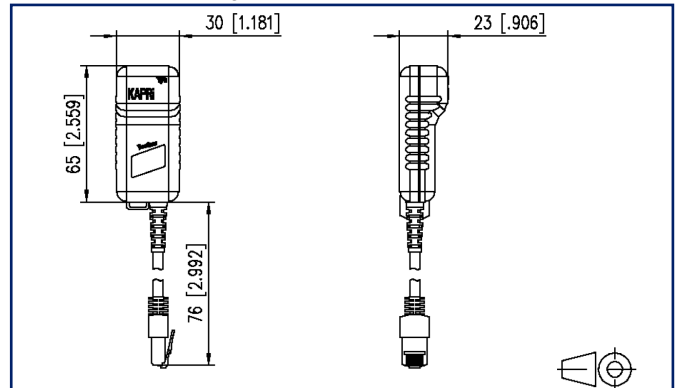
2025/09/16

Version: P

### Illustrations



Dimensional drawing



See enlarged drawings at the end of document

### Product specification

- replacement test box 1 (included in KAPRI plus main terminal)
- test box set 1 with test boxes 2, 3, 4, 5
- test box set 2 with test boxes 6, 7, 8, 9
- saves time needed for the way to the connections
- variants: test box 1, test box set 1, test box set 2



**Data sheet**  
**KAPRI plus test boxes 6 to 9**

**Technical Data**

**General Data**

Design	test box
Shielding	shielded
Transmission technology	Copper
Color	light gray
Dimensions	
Dimension - Interface 1 (L x W x H)	30 mm x 23 mm x 65 mm
Dimension - Interface 1 (L x W x H)	1.181 in. x 0.906 in. x 2.559 in.

**Connections/interfaces**

Connector technology interface 1	RJ45 plug
Connector technology interface 2	RJ45-jack
Number of ports interface 1	1
Number of ports interface 2	1
Number of equipped ports interface 1	1
Number of ports interface 2 equipped	1
Number of positions/contacts interface 1	8P/8C
Number of positions/contacts interface 2	8P/8C
Connection cable length	0.1 m
Connection cable length	0.33 ft

**Materials and material properties**

Halogen free	yes
RoHS	compliant

**Classifications**

ETIM 7.0	EC000305
ETIM 8.0	EC000305
ETIM 9.0	EC000305
ETIM 10.0	EC000305

**Packing details**

Type of packaging	1 pc(s) / box
-------------------	---------------

**Data sheet**  
**KAPRi plus test boxes 6 to 9**

Page 3/6

P/N

130672-E

EAN 4250184102489

2025/09/17

Version: P

**Technical Data****Application note**

This product is a standard product of METZ CONNECT. METZ CONNECT is not aware of the specific intended use of the goods by the Customer or any customers of the Customer. The Customer guarantees that it has fully and sufficiently tested the use of the goods and any product modifications, product changes or product enhancements with regard to the specific intended use in accordance with the state of the art or in any other way. At METZ CONNECT's request, the Customer shall submit and make available meaningful evidence (e.g. test and laboratory protocols, certifications, etc.).



Data sheet  
KAPRi plus test boxes 6 to 9

Page 4/6

P/N  
130672-E

EAN 4250184102489

2025/09/17

Version: P

## Accessories

P/N	Designation
130673-01-E	KAPRi plus test box 1
130674-E	KAPRi plus extension set M12 X-coded
130675-E	KAPRi plus extension set M12 D-coded
130676-01-E	KAPRi plus plastic case completely equipped
130676-E	KAPRi plus plastic case unequipped



Data sheet  
**KAPRi plus test boxes 6 to 9**

Page 5/6

P/N  
130672-E

EAN 4250184102489

2025/09/17

Version: P

**Accessories from**

P/N	Designation
130670-E	KAPRi plus cable and installation tester
130671-E	KAPRi plus test boxes 2 to 5



Data sheet  
**KAPRi plus test boxes 6 to 9**

Page 6/6

P/N  
130672-E  
EAN 4250184102489  
2025/09/17  
Version: P

**Illustrations**

Dimensional drawing

