

# Data sheet

## KRS-F-E06 H 24 V AC/DC

Page 1/6

P/N

11066170

EAN 4251394628394

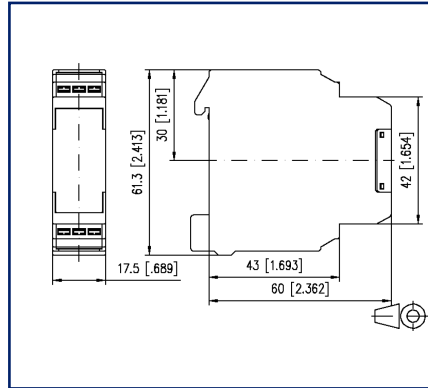
2025/08/18

Version: I

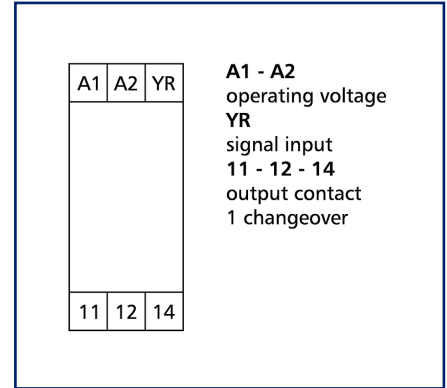
### Illustrations



Dimensional drawing



Wiring diagram



See enlarged drawings at the end of document

### Product specification

The threshold gate switches units, pumps, fans, burners, etc. As soon as the input voltage reaches the switching threshold, the relay is activated. When the input voltage falls below the switch-off threshold, the relay is released again.

- Connection with spring clamp terminal blocks (push-in)
- with manual control level



## Technical Data

### Supply

Operating voltage	24 V AC/DC -15% ... +20%
Power consumption AC (max.)	80 mA
Power consumption DC (max.)	16 mA
Duty cycle relative	100 %
Response time typical	20 ms
Release time typical	20 ms

### Manual control level

Mechanical life	3x10 <sup>4</sup> switchings
-----------------	------------------------------

### Inputs

Threshold voltage	3 V DC
Switch-off voltage	2.5 V DC
Tolerance	+/- 10 %
Power consumption	
Power consumption at 24 V DC	1.3 mA
Power consumption at 5 V DC	0.1 mA

### Outputs

Contacts	1 changeover contact
Contact material	AgSnO <sub>2</sub>
Switching voltage (max.)	250 V AC
Continuous Current	6 A
Switching frequency	1200 switching cycles/h
Breaking capacity (resistive load)	
Mechanical life	1x10 <sup>7</sup> switching cycles
Electrical life	1x10 <sup>5</sup> switching cycles
Indicator	yellow LED



## Technical Data

### Insulation coil - contact set

Nominal voltage of the power supply system	230 / 400 V AC
Overvoltage category	III   II
Degree of pollution	2   2
Rated test voltage	4 kV   2.5 kV
Type of insulation	basic insulation   reinforced insulation

### Housing

Dimensions	
Dimension (W x H x D)	17.5 mm x 61.3 mm x 60 mm
Dimension (W x H x D)	0.689 in. x 2.413 in. x 2.362 in.
Weight	70 g
Mounting style	Standard rail TH35
Mounting position	any
Apposition	without distance
Connection type	Spring clamp terminal blocks

### Terminal blocks

Wire cross section solid	0.2 mm <sup>2</sup> - 2.5 mm <sup>2</sup> / AWG 24-14
Wire cross section multi	0.25 mm <sup>2</sup> - 2.5 mm <sup>2</sup> / AWG 24-12
Wire cross section with wire ferrule	0.25 mm <sup>2</sup> - 1.5 mm <sup>2</sup> / AWG 24-16
Stripping length (min.)	8 mm

### Material

Material - Housing	Polyamid 6.6 V0
Color	gray
Material - Terminal block	Polyamid 6.6 V0
Material - Covers	Polyamid 6.6 V0

### Protection category according to IEC 60529

Protection category - housing (acc. to IEC 60529)	IP40
Protection category - terminal blocks (acc. to IEC 60529)	IP20

## Technical Data

### Climatic Data

#### Operating

Temperature - Operating °C	-10 °C - 50 °C
----------------------------	----------------

Temperature - Operating °F	14 °F - 122 °F
----------------------------	----------------

Relative humidity	max. 85 % non-condensing
-------------------	--------------------------

#### Storage

Temperature - Storage °C	-25 °C - 70 °C
--------------------------	----------------

Temperature - Storage °F	-13 °F - 158 °F
--------------------------	-----------------

### Power loss

Power loss (typical)	1.2 W
----------------------	-------

### Classifications

ETIM 7.0	EC001437
----------	----------

ETIM 8.0	EC001437
----------	----------

ETIM 9.0	EC001437
----------	----------

ETIM 10.0	EC001437
-----------	----------

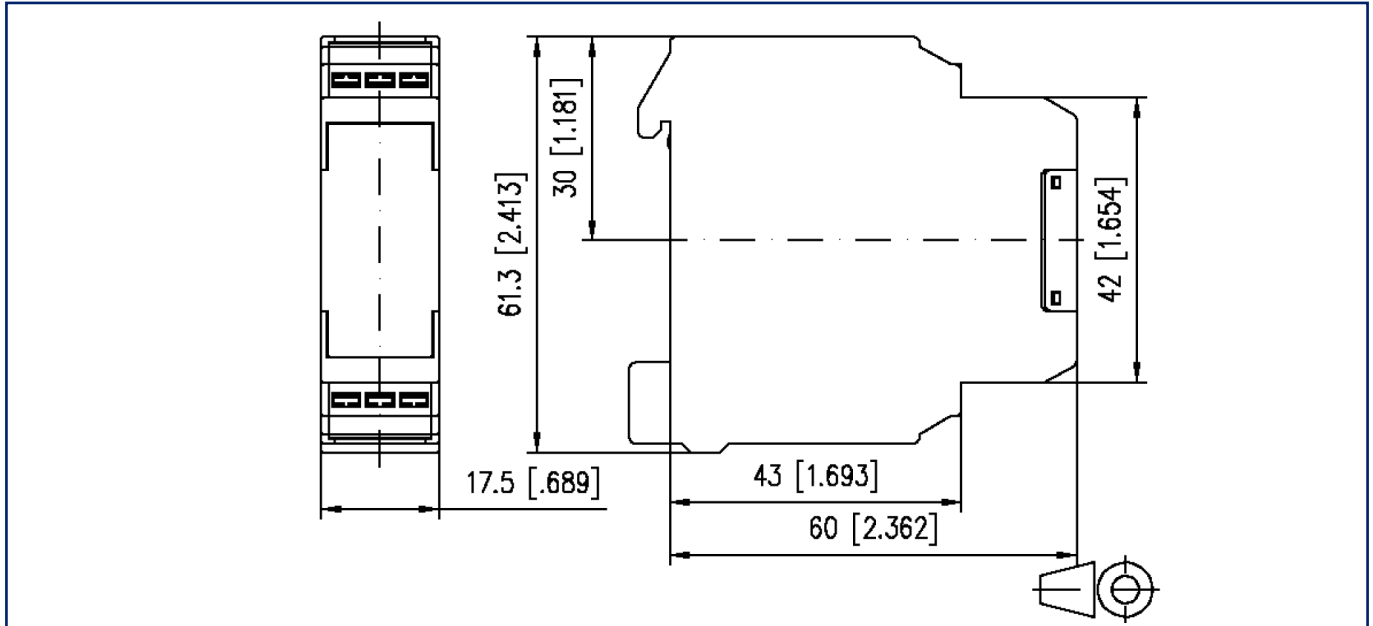
### Application note

This product is a standard product of METZ CONNECT. METZ CONNECT is not aware of the specific intended use of the goods by the Customer or any customers of the Customer. The Customer guarantees that it has fully and sufficiently tested the use of the goods and any product modifications, product changes or product enhancements with regard to the specific intended use in accordance with the state of the art or in any other way. At METZ CONNECT's request, the Customer shall submit and make available meaningful evidence (e.g. test and laboratory protocols, certifications, etc.).

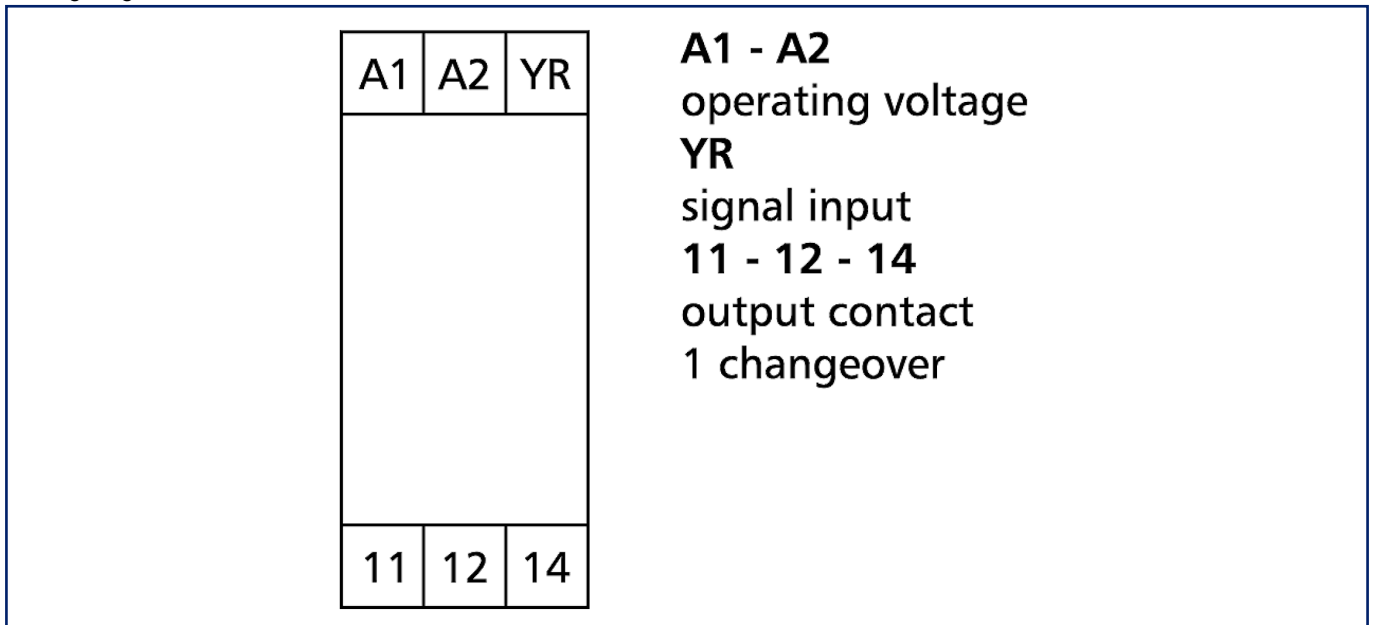


## Illustrations

### Dimensional drawing



### Wiring diagram



**Illustrations**

Circuit diagram

