

Data sheet

RM 21-21 24 V AC

Page 1/6

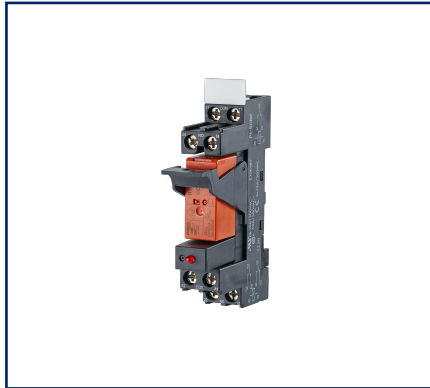
P/N
11050710

EAN 4250184122265

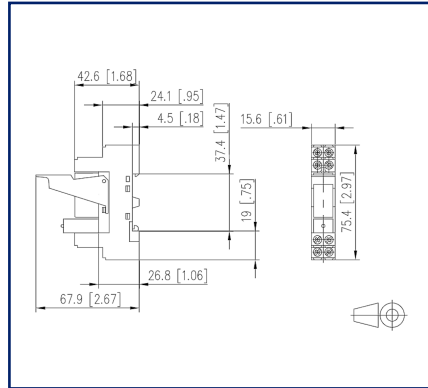
2025/08/19

Version: G

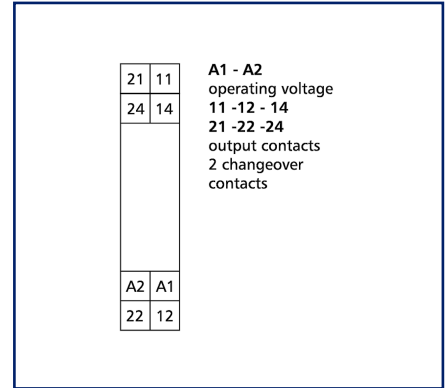
Illustrations



Dimensional drawing



Wiring diagram



See enlarged drawings at the end of document

Product specification

Relay module for electrical isolation between logic and load.

- Connection with screw-type terminals
- pluggable relay
- with labeling field



Data sheet
RM 21-21 24 V AC

Technical Data

Supply	
Operating voltage	24 V AC
Power consumption (max.)	32 mA
Power consumption coil	350 Ohm
Nominal power coil	0.74 VA
Outputs	
Contacts	2 changeover contacts
Contact material	AgNi 90/10
Switching voltage (max.)	250 V AC
Switching load (min.)	5 V DC / 10 mA
Switching capacity AC-1	2000 VA
Switch-on current	15 A
Continuous Current	8 A
Switching frequency	360 switching cycles/h
Breaking capacity (resistive load)	
Mechanical life	5x10 ⁶ switching cycles
Electrical life	1x10 ⁶ switching cycles
Test voltage coil / contact	5,000 V _{eff}
Test voltage open contact	1,000 V _{eff}
Indicator	red LED
Insulation coil - contact set	
Nominal voltage of the power supply system	230 / 400 V AC
Overvoltage category	III II
Degree of pollution	2 2
Rated test voltage	4 kV 2.5 kV
Type of insulation	basic insulation reinforced insulation
Housing	
Dimensions	
Dimension (W x H x D)	15.5 mm x 75 mm x 65 mm
Dimension (W x H x D)	0.61 in. x 2.953 in. x 2.559 in.
Weight	95 g
Mounting style	Standard rail TH35
Mounting position	any

Data sheet
RM 21-21 24 V AC

Technical Data

Housing	
Apposition	without distance
Connection type	Screw type terminal blocks
Terminal blocks	
Wire cross section solid	0.2 mm ² - 2.5 mm ² / AWG 22-12
Wire cross section multi	0.25 mm ² - 2.5 mm ² / AWG 22-12
Wire cross section with wire ferrule	0.25 mm ² - 2.5 mm ² / AWG 22-12
Screw torque (max.)	0.5 Nm
Stripping length (min.)	8 mm
Material	
Color	black
Climatic Data	
Operating	
Temperature - Operating °C	-20 °C - 55 °C
Temperature - Operating °F	-4 °F - 131 °F
Relative humidity	max. 85 % non-condensing
Storage	
Temperature - Storage °C	-25 °C - 70 °C
Temperature - Storage °F	-13 °F - 158 °F
Power loss	
Power loss (typical)	2.4 W
Classifications	
ETIM 7.0	EC001437
ETIM 8.0	EC001437
ETIM 9.0	EC001437
ETIM 10.0	EC001437

Application note

This product is a standard product of METZ CONNECT. METZ CONNECT is not aware of the specific intended use of the goods by the Customer or any customers of the Customer. The Customer guarantees that it has fully and sufficiently tested the use of the goods and any product modifications, product changes or product enhancements with regard to the specific intended use in accordance with the state of the art or in any other way. At METZ CONNECT's request, the Customer shall submit and make available meaningful evidence (e.g. test and laboratory protocols, certifications, etc.).

Data sheet
RM 21-21 24 V AC

Page 4/6

P/N
11050710**EAN 4250184122265**

2025/08/19

Version: G

Accessories

P/N	Designation
11017905	RC Module 230 V AC
11017910	RC Module 24 V AC

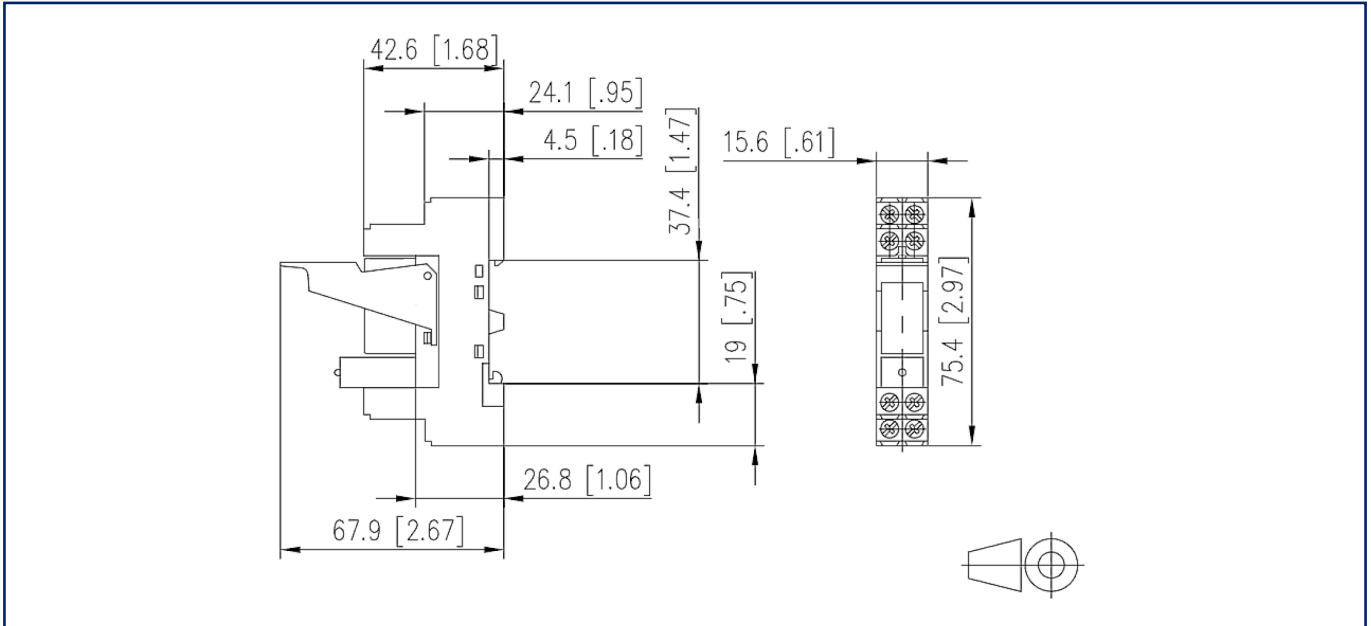
**Data sheet
RM 21-21 24 V AC**

Page 5/6

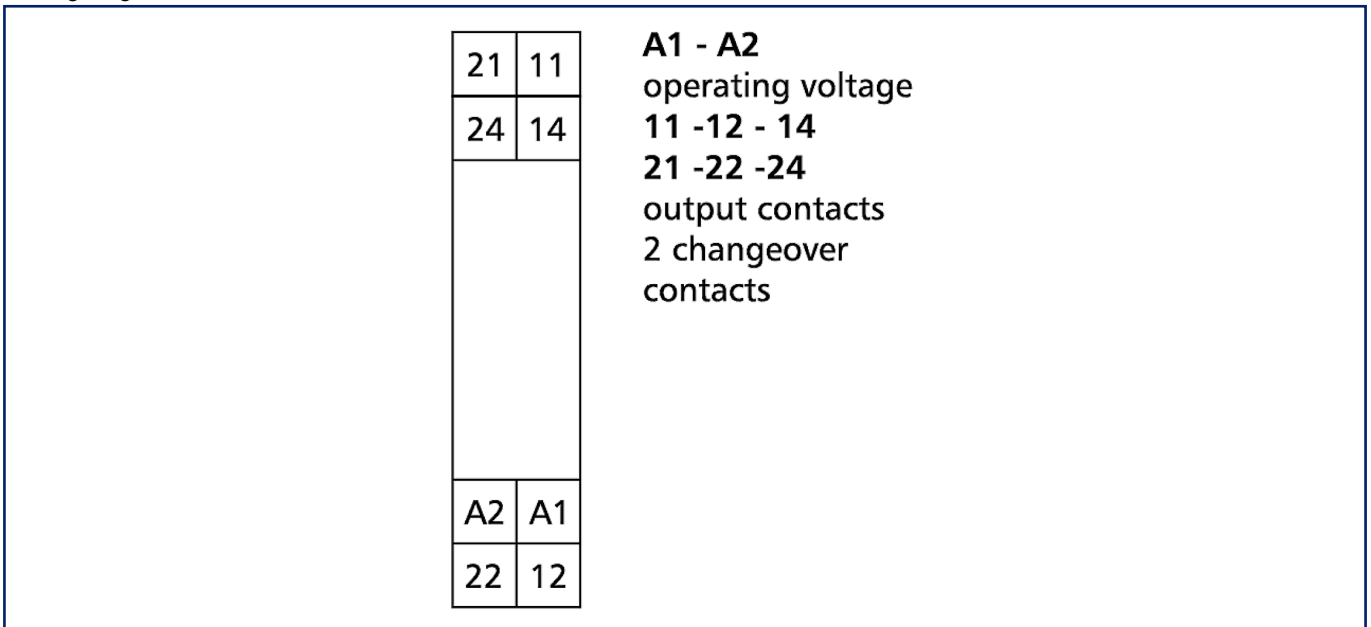
P/N
11050710
EAN 4250184122265
2025/08/19
Version: G

Illustrations

Dimensional drawing



Wiring diagram



Illustrations

Circuit diagram

