

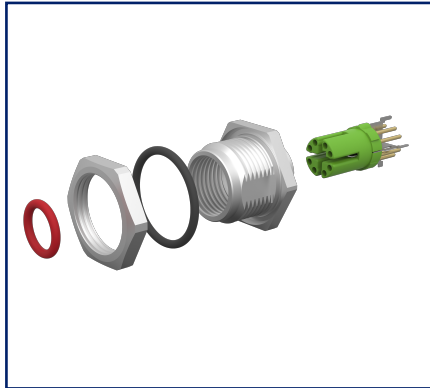
Data sheet

PC board jack M12, X-coded, 8-pole, IP67,
rear mounting, in individual parts

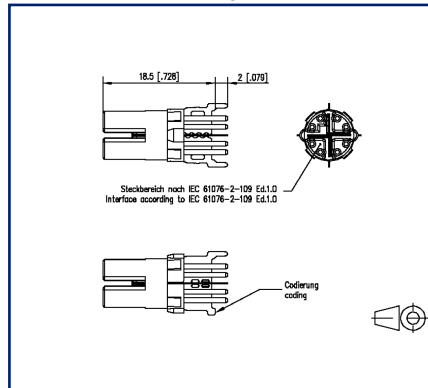
Page 1/6

P/N
MMT371A3B5-0001
EAN 4250184158509
2026/05/20
Version: N

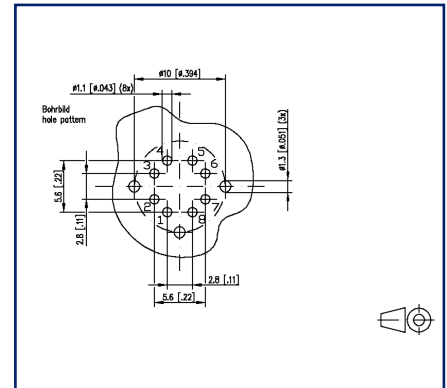
Illustrations



Dimensional drawing



Drill pattern



See enlarged drawings at the end of document

Product specification

- PC board jack M12
- 8-pole, X-coded according to IEC 61076-2-109
- rear mounting
- 10 GBit suitable according to IEEE 802.3an
- THR solderable
- Top entry
- Contact carriers green
- IP67 when plugged in
- in individual parts
- suitable for applications in the railway industry according to data sheet



PC board jack M12, X-coded, 8-pole, IP67, rear mounting, in individual parts

P/N
MMT371A3B5-0001
EAN 4250184158509
 2026/05/20
 Version: N

Technical Data

General Data

Dimensions	
Dimension (D x H)	Ø 21.5 mm x 20.5 mm
Dimension (D x H)	0.846 in. x 0.807 in.
Ports	Single port
Coding	X-coded

Electrical characteristics

Rated voltage	50 V AC / 60 V DC
Effective value of the withstand voltage	0.5 kV
Current carrying capacity at 40 °C	0.5 A
Insulation resistance	min. 100 MOhm
Overvoltage category	II
Degree of pollution	2

Mechanical data

Material	
Material - Housing	CuZnPb
Material - Contact	CuZnPb
Contact surface	Ni + Au
Shield material	CuSn
Life - Number of mating cycles	>= 100
Tightening torque - Plug	0,6 - 1 Nm
Tightening torque - Jack mounting	3 Nm +/- 0,5 Nm
Protection category	IP67 when plugged in

Climatic properties

Temperature - Operating °C	-40 °C - 85 °C
Temperature - Operating °F	-40 °F - 185 °F

Approvals

Approval mark UL/CSA	E178484
----------------------	---------

© 2026 METZ CONNECT - Technische Änderungen vorbehalten! Subject to modifications! Sous réserve de modifications techniques!

Data sheet

Page 3/6

PC board jack M12, X-coded, 8-pole, IP67, rear mounting, in individual parts

P/N
MMT371A3B5-0001
EAN 4250184158509
 2026/05/20
 Version: N

Technical Data

Packaging

Type of packaging 10 pc(s) / blister packaging

Standards/Regulations

Railway applications	
Insulating body	PA UL 94 V0 complies with HL1-HL3; R26 according to EN 45545-2:2020+A1:2023
Flammable mass (g)	0.62 g
Sealings	Elastomer
Flammable mass (g)	0.18 g

Classifications

ETIM 7.0	EC002637
ETIM 8.0	EC002637
ETIM 9.0	EC002637
ETIM 10.0	EC002637

Application note

This product is a standard product of METZ CONNECT. METZ CONNECT is not aware of the specific intended use of the goods by the Customer or any customers of the Customer. The Customer guarantees that it has fully and sufficiently tested the use of the goods and any product modifications, product changes or product enhancements with regard to the specific intended use in accordance with the state of the art or in any other way. At METZ CONNECT's request, the Customer shall submit and make available meaningful evidence (e.g. test and laboratory protocols, certifications, etc.).

Data sheet

Page 4/6

**PC board jack M12, X-coded, 8-pole, IP67,
rear mounting, in individual parts**

P/N

MMT371A3B5-0001

EAN 4250184158509

2026/05/20

Version: N

Accessories

P/N	Designation
700701	M12 screw plug for jacks IP54



Data sheet

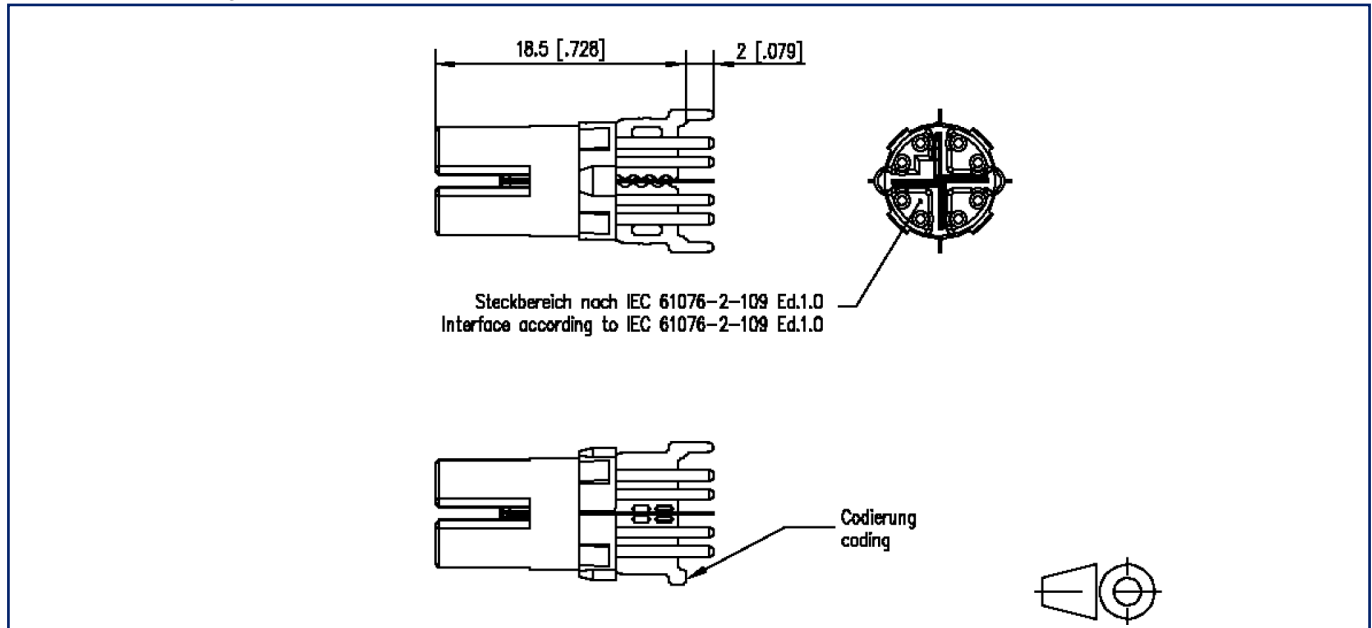
Page 5/6

**PC board jack M12, X-coded, 8-pole, IP67,
rear mounting, in individual parts**

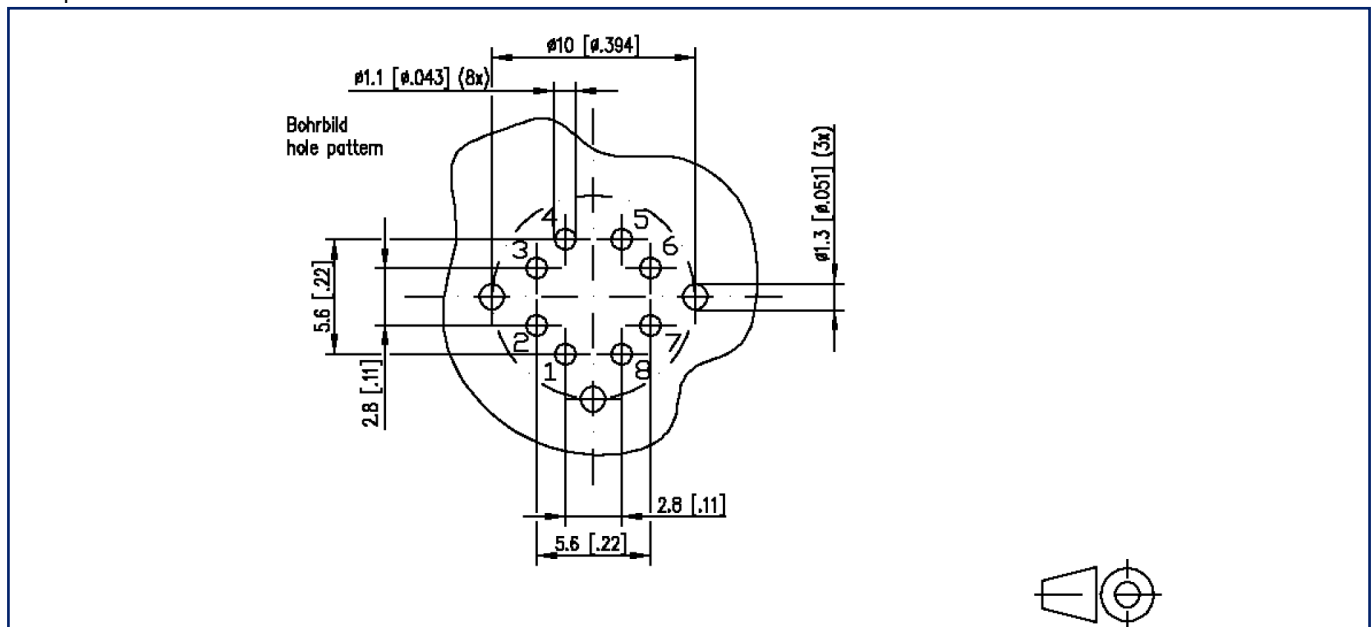
P/N
MMT371A3B5-0001
EAN 4250184158509
2026/05/20
Version: N

Illustrations

Dimensional drawing



Drill pattern



Data sheet

Page 6/6

**PC board jack M12, X-coded, 8-pole, IP67,
rear mounting, in individual parts**

P/N

MMT371A3B5-0001

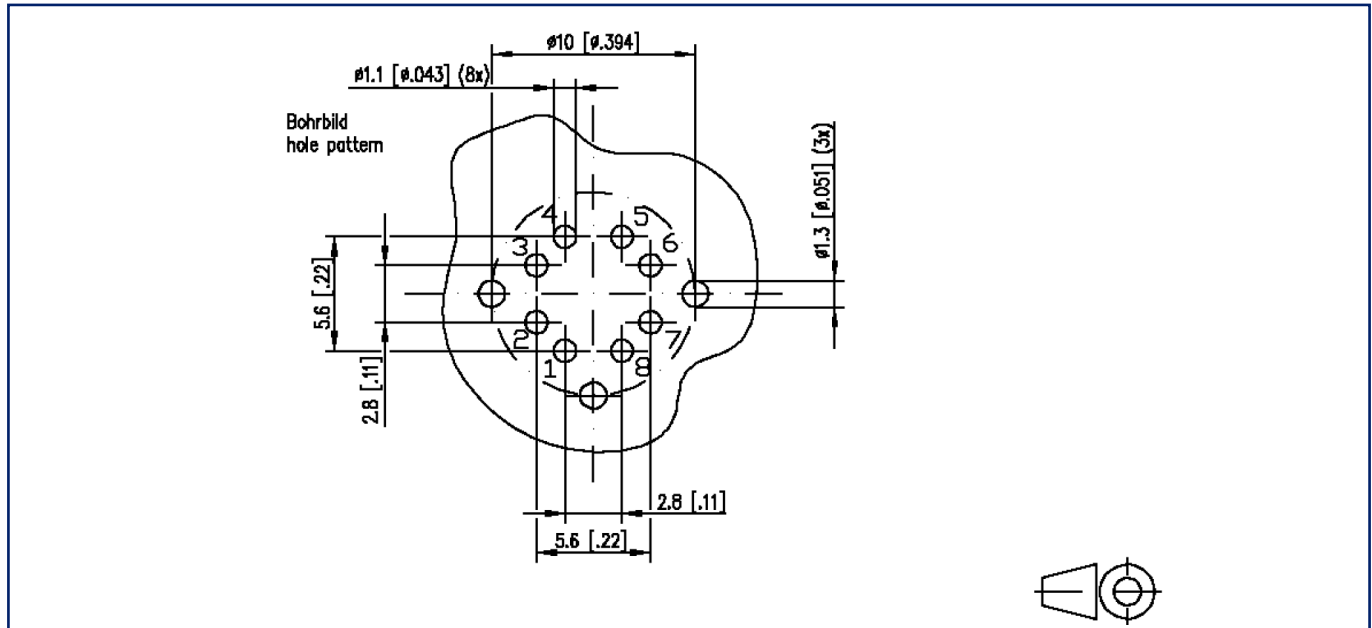
EAN 4250184158509

2026/05/20

Version: N

Illustrations

Drill pattern



Cut-out

