

# Data sheet

## PC board jack M12, A-coded, 5-pole, IP67, in individual parts

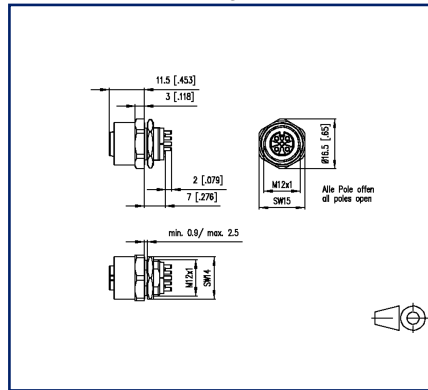
Page 1/4

P/N  
MMT361A815-0001  
EAN 4251394632315  
2026/05/20  
Version: P

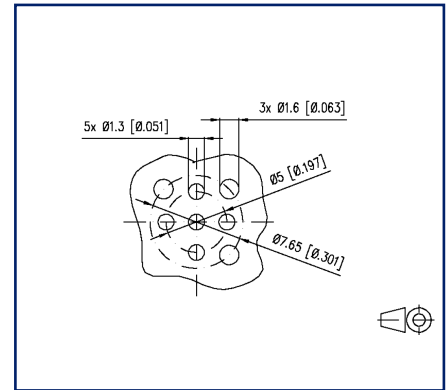
### Illustrations



Dimensional drawing



Drill pattern



See enlarged drawings at the end of document

### Product specification

- PC board jack M12
- Front wall mounting
- 5-pole, A-coded according to IEC 61076-2-101
- THR solderable
- Top entry
- Contact carriers black
- IP67 when plugged in
- in individual parts
- suitable for applications in the railway industry according to data sheet



Data sheet

**PC board jack M12, A-coded, 5-pole, IP67,  
in individual parts**

P/N  
MMT361A815-0001  
EAN 4251394632315  
2026/05/20  
Version: P

**Technical Data**

**General Data**

|                   |                                    |
|-------------------|------------------------------------|
| Dimensions        |                                    |
| Dimension (D x H) | Ø 16.5 mm x 20.5 mm                |
| Dimension (D x H) | 0.65 in. x 0.807 in.               |
| Ports             | Single port                        |
| Solderability     | Acc. to IPC/JEDEC J-STD-020E-MSL 1 |
| Coding            | A-coded                            |

**Electrical characteristics**

|  |               |
|--|---------------|
| Rated voltage                            | 60 V          |
| Effective value of the withstand voltage | 1 kV          |
| Current carrying capacity at 40 °C       | 4 A           |
| Insulation resistance                    | min. 100 MOhm |
| Overvoltage category                     | II            |
| Degree of pollution                      | 2             |

**Mechanical data**

|                                   |                      |
|-----------------------------------|----------------------|
| Material                          |                      |
| Material - Housing                | CuZnPb               |
| Material - Contact                | CuZnPb               |
| Contact surface                   | Ni + Au              |
| Color                             | black                |
| RoHS                              | compliant            |
| Life - Number of mating cycles    | >= 100               |
| Tightening torque - Plug          | 0,6 - 1 Nm           |
| Tightening torque - Jack mounting | 3 Nm +/- 0,5 Nm      |
| Protection category               | IP67 when plugged in |

**Climatic properties**

|                            |                 |
|----------------------------|-----------------|
| Temperature - Operating °C | -40 °C - 85 °C  |
| Temperature - Operating °F | -40 °F - 185 °F |

© 2026 METZ CONNECT - Technische Änderungen vorbehalten! Subject to modifications! Sous réserve de modifications techniques!

Data sheet

Page 3/4

**PC board jack M12, A-coded, 5-pole, IP67,  
in individual parts**

P/N  
MMT361A815-0001  
EAN 4251394632315  
2026/05/20  
Version: P

**Technical Data****Approvals**

Approval mark UL/CSA E305050

**Packaging**

Type of packaging 10 pc(s) / blister packaging

**Standards/Regulations**

Railway applications

Insulating body PA UL 94 V0 complies with HL1-HL3; R26 according to EN 45545-2:2020+A1:2023

Flammable mass (g) 0.83 g

Sealings Elastomer

Flammable mass (g) 0.06 g

**Classifications**

ETIM 7.0 EC002637

ETIM 8.0 EC002637

**Application note**

This product is a standard product of METZ CONNECT. METZ CONNECT is not aware of the specific intended use of the goods by the Customer or any customers of the Customer. The Customer guarantees that it has fully and sufficiently tested the use of the goods and any product modifications, product changes or product enhancements with regard to the specific intended use in accordance with the state of the art or in any other way. At METZ CONNECT's request, the Customer shall submit and make available meaningful evidence (e.g. test and laboratory protocols, certifications, etc.).



Data sheet

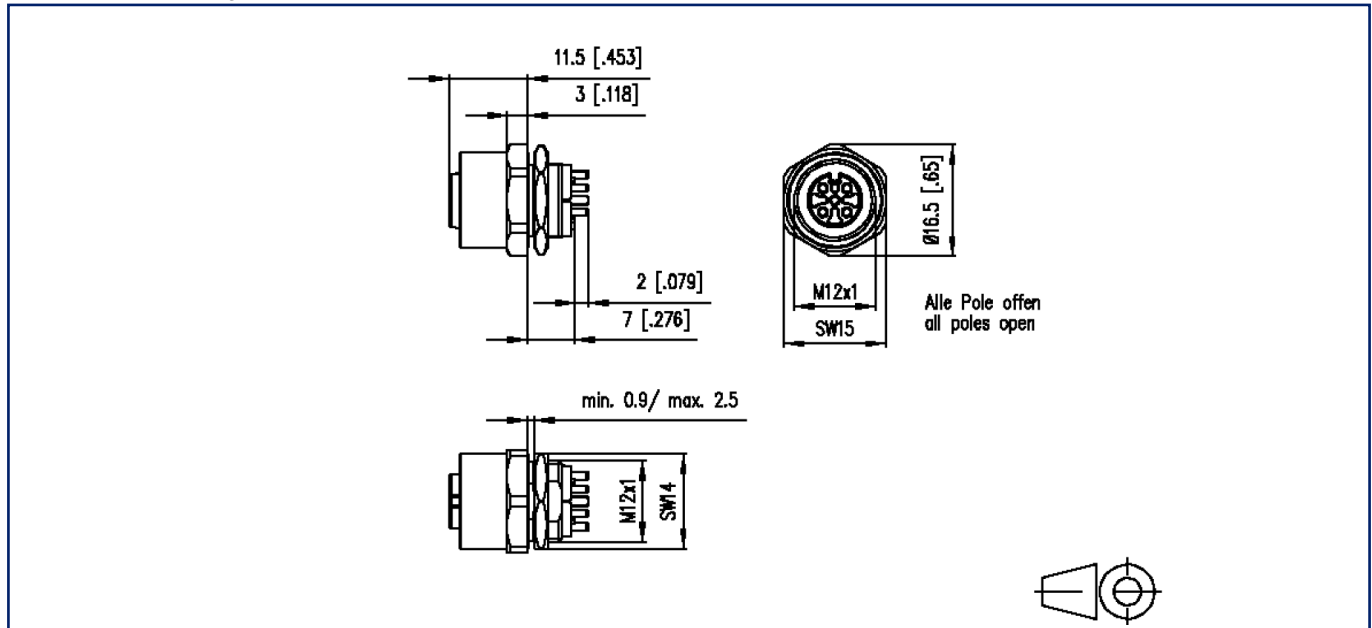
Page 4/4

**PC board jack M12, A-coded, 5-pole, IP67,  
in individual parts**

P/N  
**MMT361A815-0001**  
EAN 4251394632315  
2026/05/20  
Version: P

## Illustrations

Dimensional drawing



Drill pattern

