

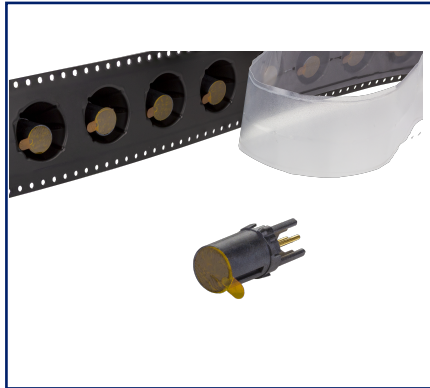
# Data sheet

Page 1/5

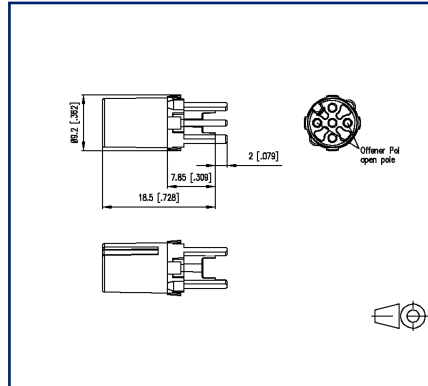
## PC board insert M12, A-coded, 2-pole, black, Tape & Reel

P/N  
MMT060A915-G201  
EAN 4251394631929  
2026/05/20  
Version: S

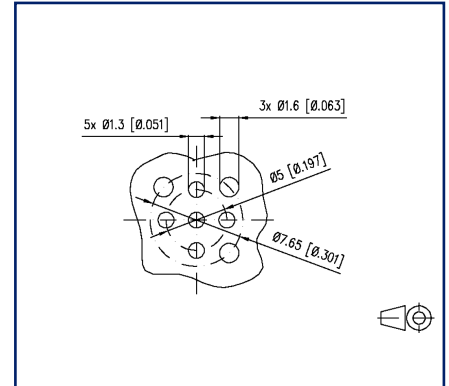
### Illustrations



Dimensional drawing



Drill pattern



See enlarged drawings at the end of document

### Product specification

- PC board insert M12
- 2-pole, A-coded according to IEC 61076-2-101
- THR solderable
- Top entry
- Contact carriers black
- Tape & Reel packaging
- suitable for applications in the railway industry according to data sheet



# PC board insert M12, A-coded, 2-pole, black, Tape & Reel

P/N  
**MMT060A915-G201**  
**EAN 4251394631929**  
 2026/05/20  
 Version: S

## Technical Data

### General Data

Dimensions	
Dimension (D x H)	Ø 9.2 mm x 20.5 mm
Dimension (D x H)	0.362 in. x 0.807 in.
Ports	Single port
Solderability	Acc. to IPC/JEDEC J-STD-020E-MSL 1
Coding	A-coded

### Electrical characteristics

Rated voltage	250 V
Effective value of the withstand voltage	1.4 kV
Current carrying capacity at 40 °C	4 A
Insulation resistance	min. 100 MOhm
Overvoltage category	II
Degree of pollution	2

### Mechanical data

Material	
Material - Contact	CuZnPb
Contact surface	Ni + Au
Color	black
RoHS	pending
Life - Number of mating cycles	>= 100

### Climatic properties

Temperature - Operating °C	-40 °C - 85 °C
Temperature - Operating °F	-40 °F - 185 °F

### Approvals

Approval mark UL/CSA	E305050
----------------------	---------

### Packaging

Type of packaging	160 pc(s) / Tape & Reel
-------------------	-------------------------

Data sheet

Page 3/5

**PC board insert M12, A-coded, 2-pole, black, Tape & Reel**

P/N

MMT060A915-G201

EAN 4251394631929

2026/05/20

Version: S

**Technical Data****Standards/Regulations**

Railway applications

Insulating body	PA UL 94 V0 complies with HL1-HL3; R26 according to EN 45545-2:2020+A1:2023
-----------------	---

Flammable mass (g)	0.83 g
--------------------	--------

**Classifications**

ETIM 7.0	EC002637
----------	----------

ETIM 8.0	EC002637
----------	----------

**Application note**

This product is a standard product of METZ CONNECT. METZ CONNECT is not aware of the specific intended use of the goods by the Customer or any customers of the Customer. The Customer guarantees that it has fully and sufficiently tested the use of the goods and any product modifications, product changes or product enhancements with regard to the specific intended use in accordance with the state of the art or in any other way. At METZ CONNECT's request, the Customer shall submit and make available meaningful evidence (e.g. test and laboratory protocols, certifications, etc.).



Data sheet

Page 4/5

**PC board insert M12, A-coded, 2-pole, black, Tape & Reel**

P/N

MMT060A915-G201

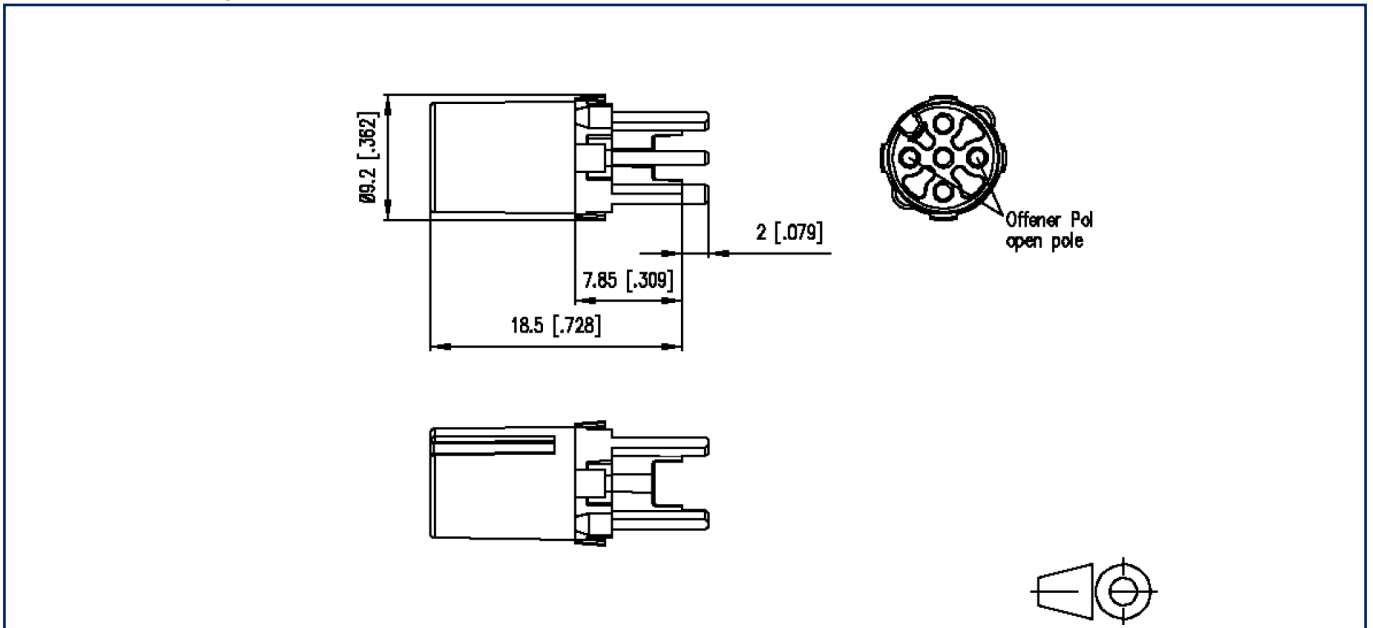
EAN 4251394631929

2026/05/20

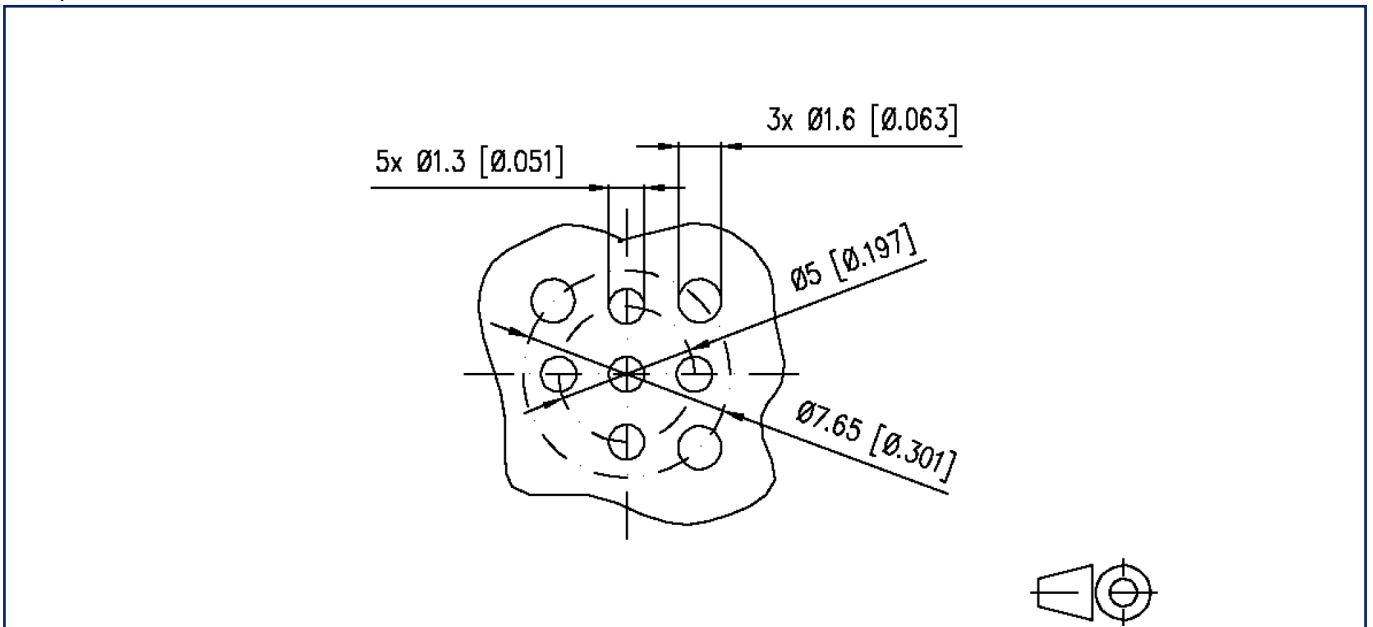
Version: S

**Illustrations**

Dimensional drawing



Drill pattern



**PC board insert M12, A-coded, 2-pole, black, Tape & Reel**

P/N

MMT060A915-G201

EAN 4251394631929

2026/05/20

Version: S

**Illustrations**

Snap-in geometry

