

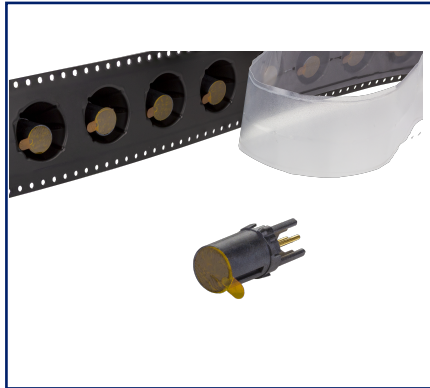
Data sheet

Page 1/5

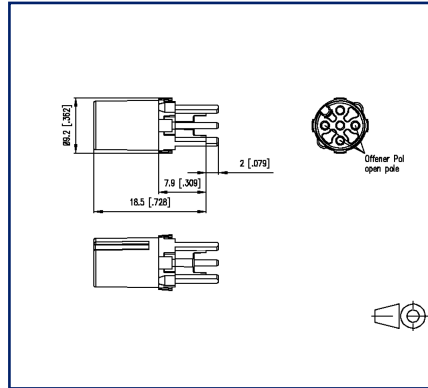
PC board insert M12, A-coded, 3-pole, black, Tape & Reel

P/N
MMT060A615-G201
EAN 4251394631806
2026/05/20
Version: R

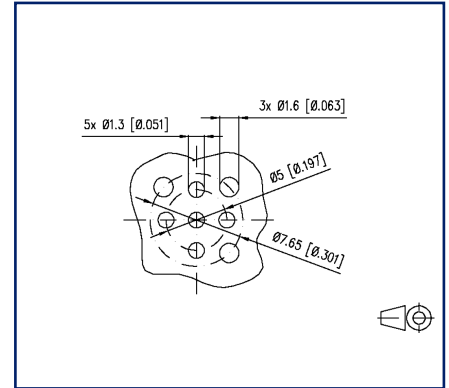
Illustrations



Dimensional drawing



Drill pattern



See enlarged drawings at the end of document

Product specification

- PC board insert M12
- 3-pole, A-coded according to IEC 61076-2-101
- THR solderable
- Top entry
- Contact carriers black
- Tape & Reel packaging
- suitable for applications in the railway industry according to data sheet



PC board insert M12, A-coded, 3-pole, black, Tape & Reel

P/N
MMT060A615-G201
EAN 4251394631806
 2026/05/20
 Version: R

Technical Data

General Data

| | |
|-------------------|------------------------------------|
| Dimensions | |
| Dimension (D x H) | Ø 9.2 mm x 20.5 mm |
| Dimension (D x H) | 0.362 in. x 0.807 in. |
| Ports | Single port |
| Solderability | Acc. to IPC/JEDEC J-STD-020E-MSL 1 |
| Coding | A-coded |

Electrical characteristics

| | |
|--|---------------|
| Rated voltage | 250 V |
| Effective value of the withstand voltage | 1.4 kV |
| Current carrying capacity at 40 °C | 4 A |
| Insulation resistance | min. 100 MOhm |
| Overvoltage category | II |
| Degree of pollution | 2 |

Mechanical data

| | |
|--------------------------------|---------|
| Material | |
| Material - Contact | CuZnPb |
| Contact surface | Ni + Au |
| Color | black |
| RoHS | pending |
| Life - Number of mating cycles | >= 100 |

Climatic properties

| | |
|----------------------------|-----------------|
| Temperature - Operating °C | -40 °C - 85 °C |
| Temperature - Operating °F | -40 °F - 185 °F |

Approvals

| | |
|----------------------|---------|
| Approval mark UL/CSA | E305050 |
|----------------------|---------|

Packaging

| | |
|-------------------|-------------------------|
| Type of packaging | 160 pc(s) / Tape & Reel |
|-------------------|-------------------------|

Data sheet

Page 3/5

PC board insert M12, A-coded, 3-pole, black, Tape & Reel

P/N

MMT060A615-G201

EAN 4251394631806

2026/05/20

Version: R

Technical Data**Standards/Regulations**

Railway applications

| | |
|-----------------|---|
| Insulating body | PA UL 94 V0 complies with HL1-HL3; R26 according to EN 45545-2:2020+A1:2023 |
|-----------------|---|

| | |
|--------------------|--------|
| Flammable mass (g) | 0.83 g |
|--------------------|--------|

Classifications

| | |
|----------|----------|
| ETIM 7.0 | EC002637 |
|----------|----------|

| | |
|----------|----------|
| ETIM 8.0 | EC002637 |
|----------|----------|

Application note

This product is a standard product of METZ CONNECT. METZ CONNECT is not aware of the specific intended use of the goods by the Customer or any customers of the Customer. The Customer guarantees that it has fully and sufficiently tested the use of the goods and any product modifications, product changes or product enhancements with regard to the specific intended use in accordance with the state of the art or in any other way. At METZ CONNECT's request, the Customer shall submit and make available meaningful evidence (e.g. test and laboratory protocols, certifications, etc.).



Data sheet

Page 4/5

PC board insert M12, A-coded, 3-pole, black, Tape & Reel

P/N

MMT060A615-G201

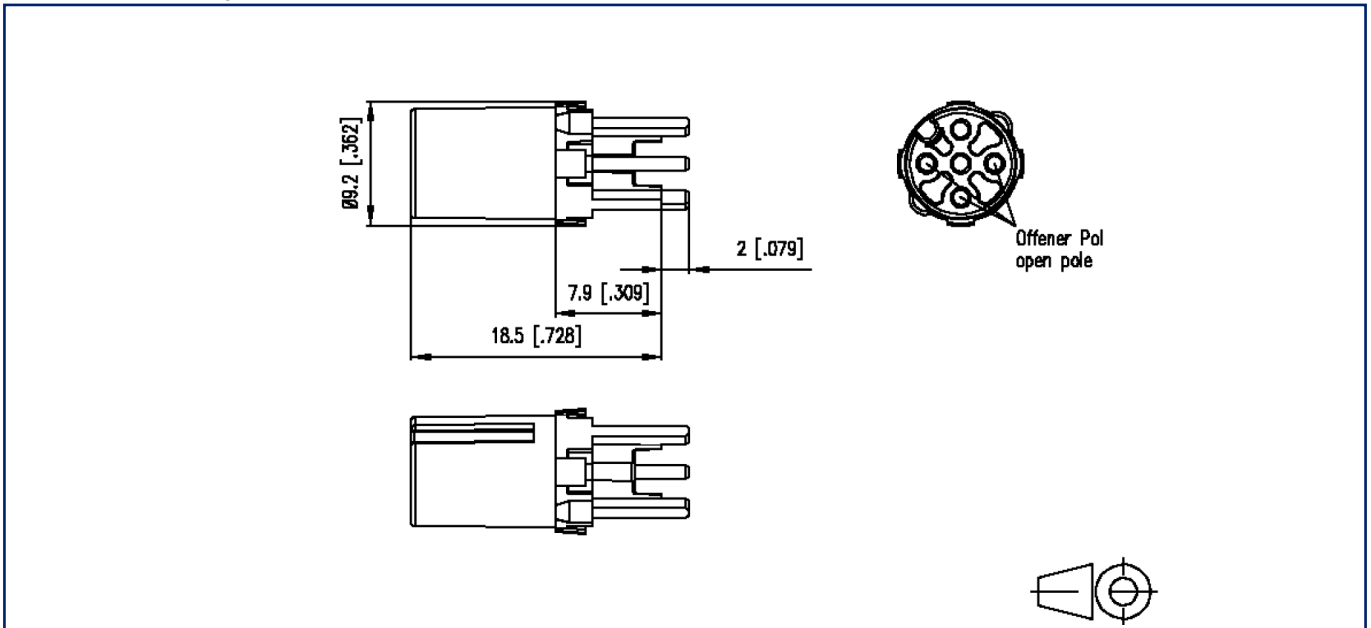
EAN 4251394631806

2026/05/20

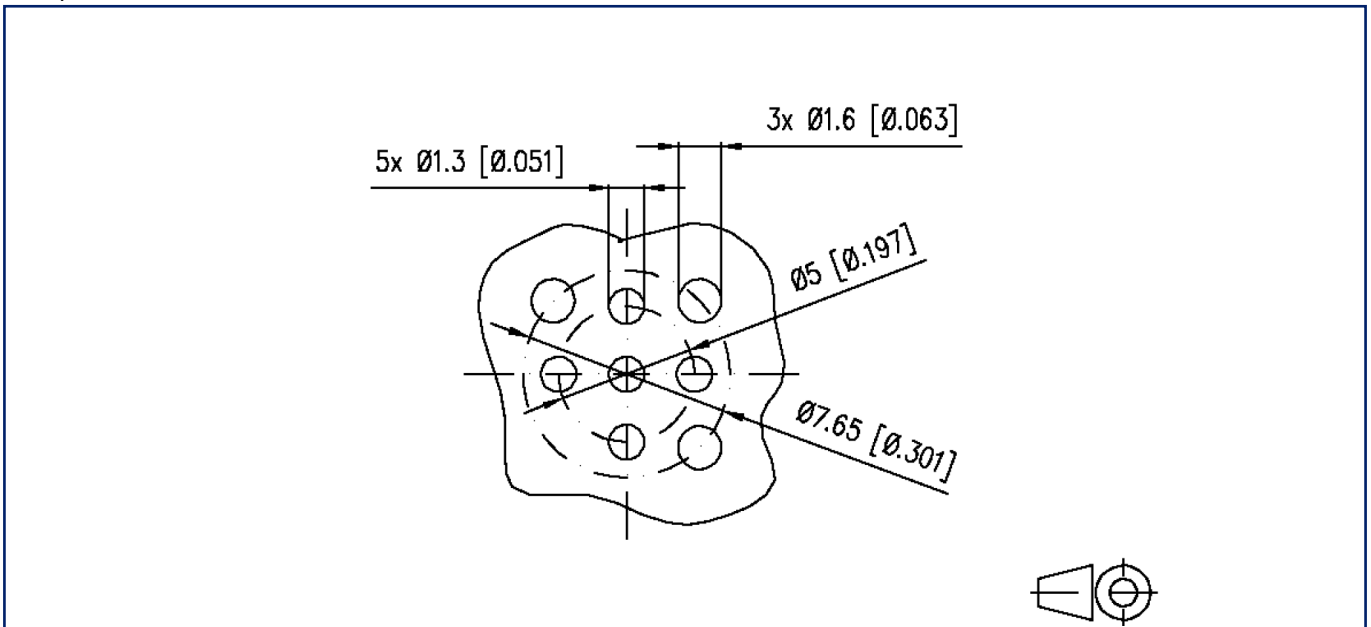
Version: R

Illustrations

Dimensional drawing



Drill pattern



Illustrations

Snap-in geometry

